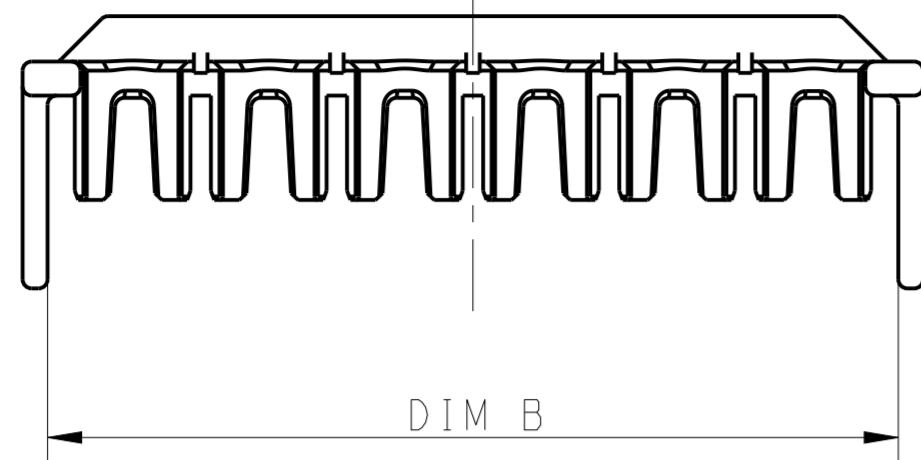
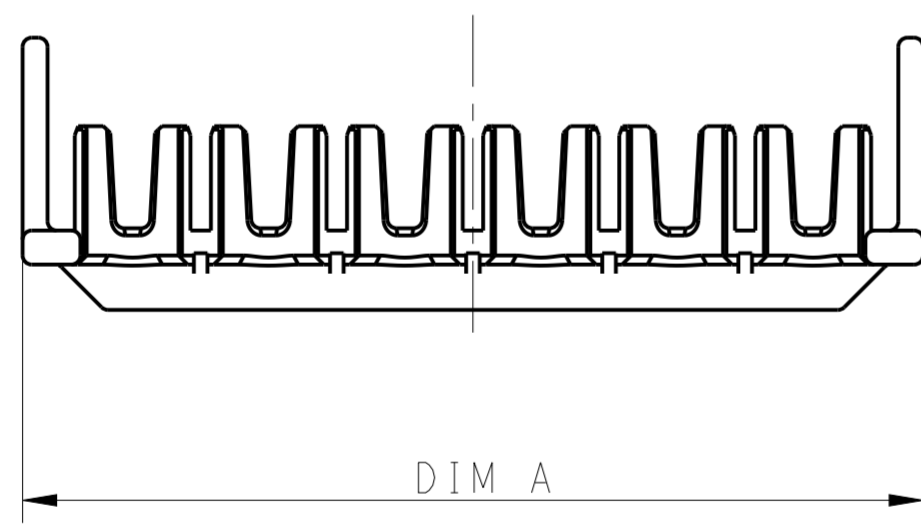
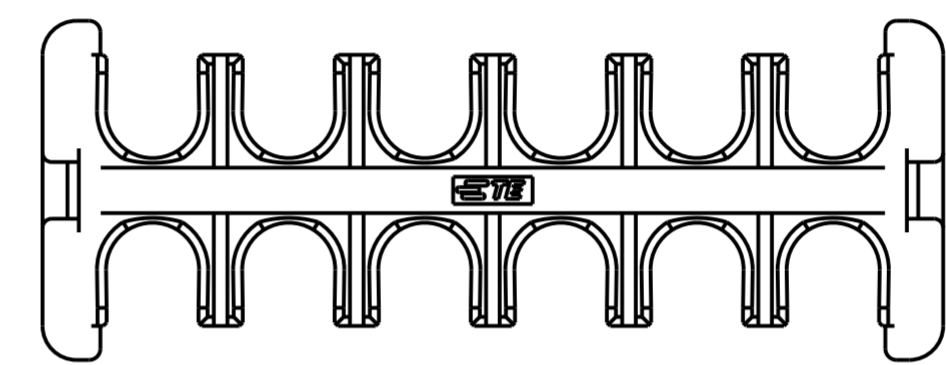
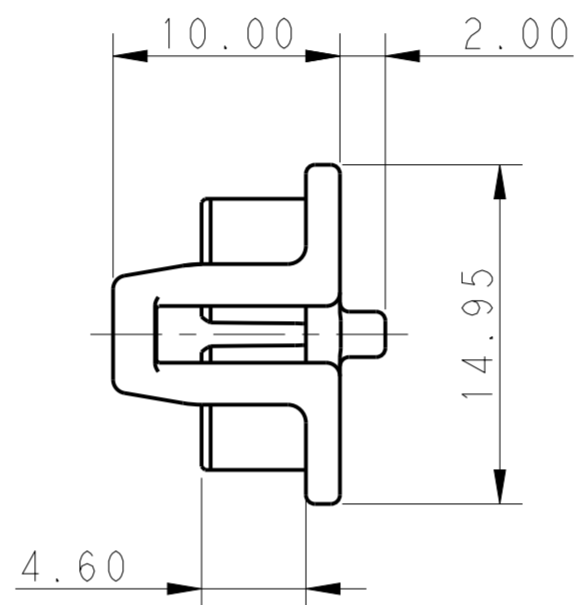
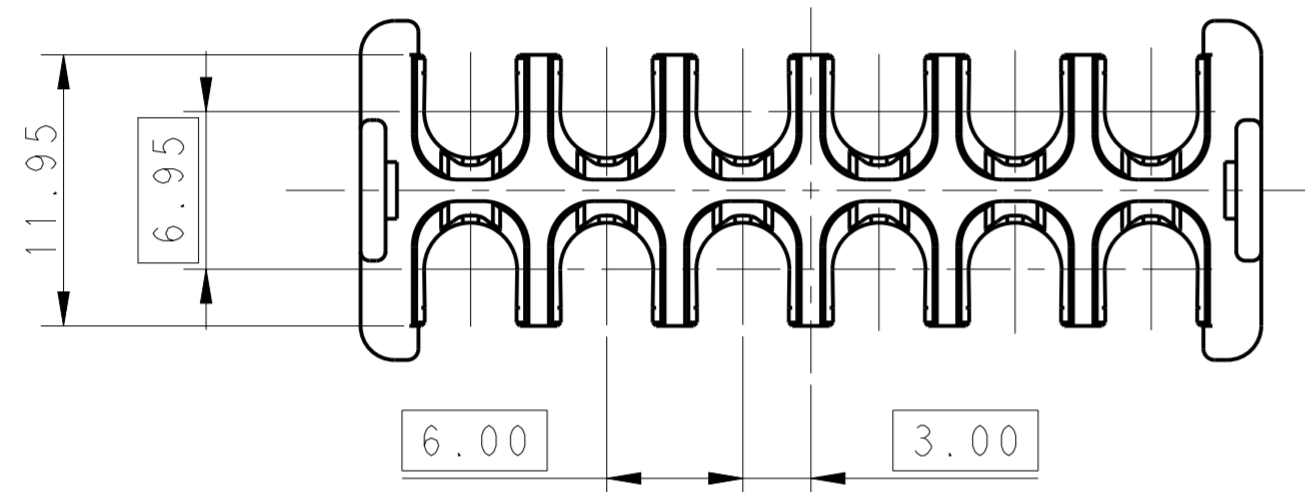


THIS DRAWING IS UNPUBLISHED. RELEASED FOR PUBLICATION 20
 © COPYRIGHT 20 BY - ALL RIGHTS RESERVED.

REVISONS		DATE	DWN	APVD
P	LTR			
	C	08APR2021	SS	VS



POS.	DIM.A	DIM.B
2*6	39.70	37.5
2*5	33.70	31.5
2*4	27.70	25.5
2*3	21.70	19.5



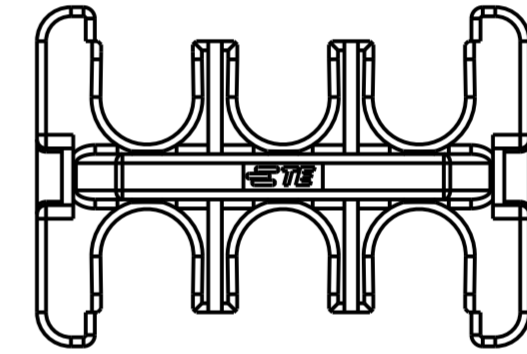
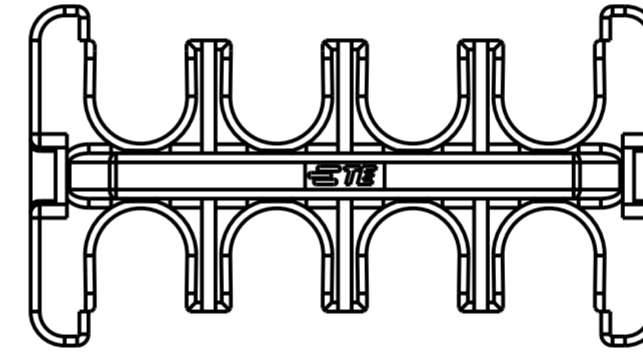
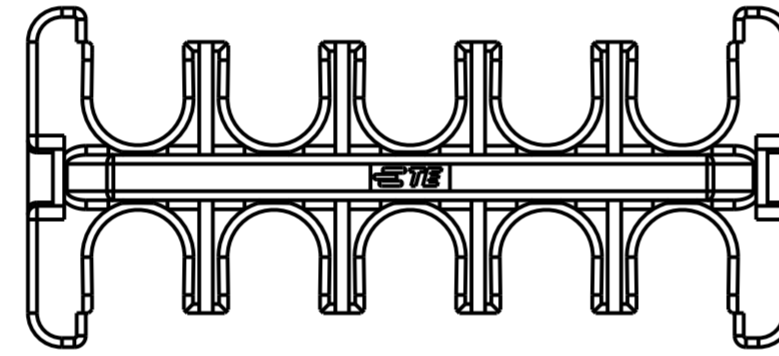
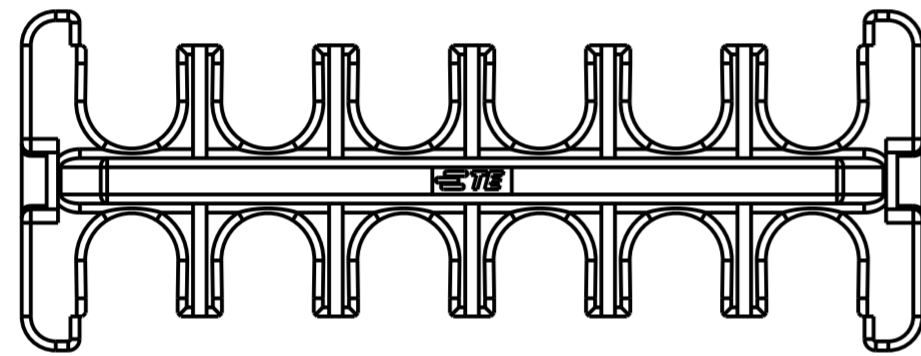
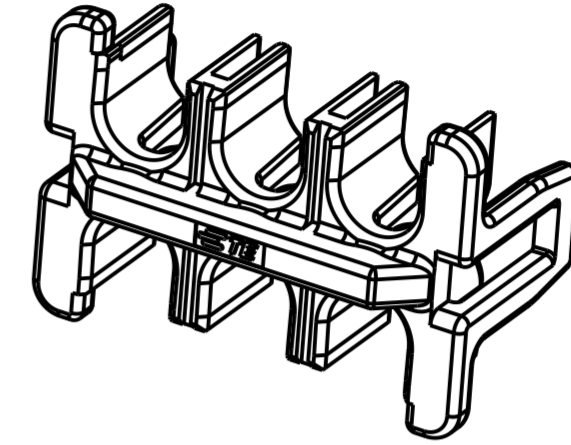
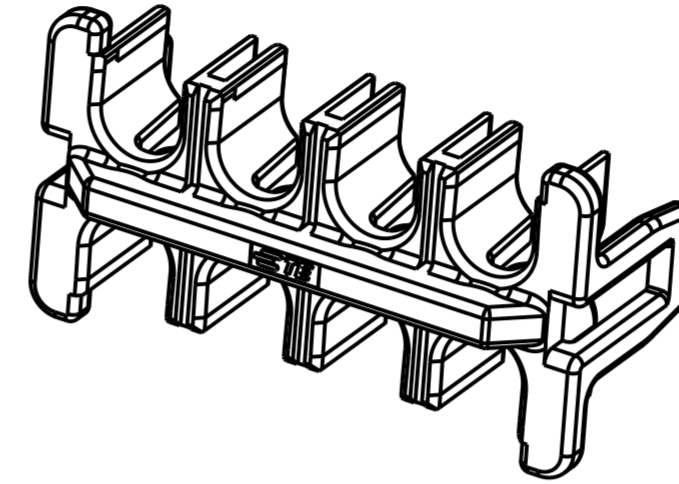
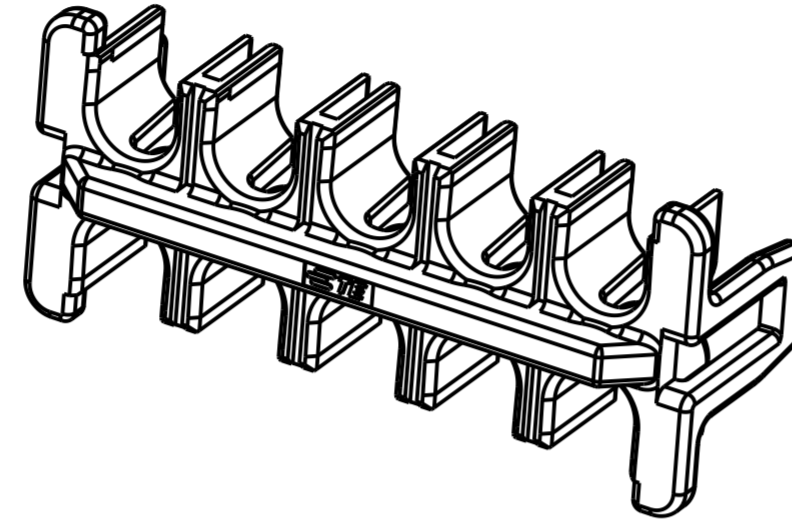
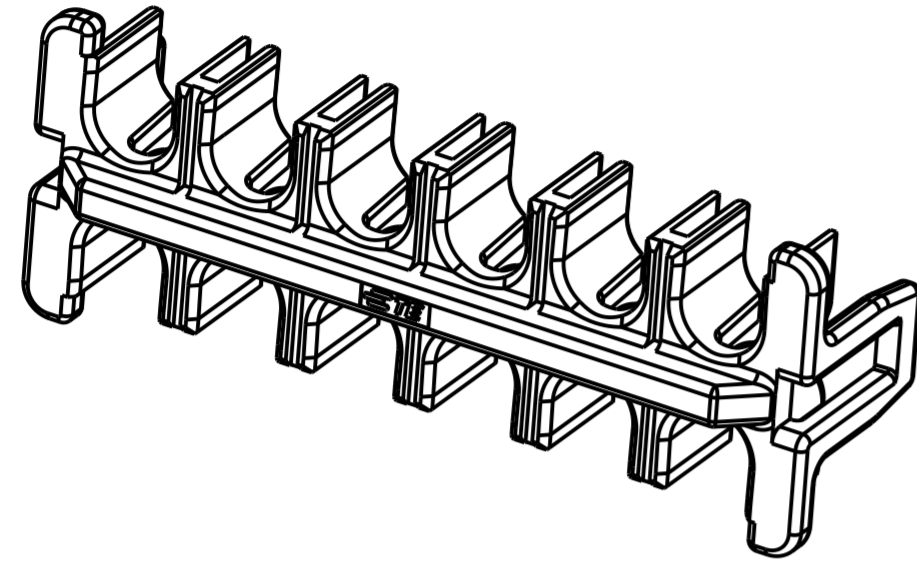
NOTE

- ① HIGH TEMP VERSIONS ARE RATED 150°C MAX AND ARE RECOMMENDED FOR USE WITH HIGH TEMP AND GLOW WIRE RATED HOUSINGS.
- ② HOT WIRE IGNITION (HWI) VERSIONS ARE MOLDED IN A RESIN THAT COMPLIES WITH TE PENDING HOT WIRE IGNITION TEST AND ARE RECOMMENDED FOR USE WITH HWI HOUSINGS THAT ALSO COMPLY.
- ③ STANDARD TEMPERATURE VERSIONS, RATED 140°C MAX ARE RECOMMENDED FOR USE WITH STANDARD TEMP AND GLOW WIRE RATED HOUSINGS.
- 4. MATING CONN, P/N
 CAP HSG: *-1971*7*-*/*-22322***-*/*-22323***-
 PLUG HSG: *-1971*7*-*/*-22322***-*/*-22323***-
- 5. FLAMMABILITY RATING: UL94 V-0

THIS DRAWING IS A CONTROLLED DOCUMENT.		DWN TOMMY WU 09JUL2012	STE TE Connectivity	
		CHK HAPYE WU 09JUL2012		
		APVD YUHONG MAO 09JUL2012	NAME TPA, DOUBLE ROW POWER TRIPLE LOCK	
DIMENSIONS: mm		PRODUCT SPEC 108-106118	SIZE CAGE CODE DRAWING NO RESTRICTED TO	
TOLERANCES UNLESS OTHERWISE SPECIFIED:		APPLICATION SPEC 114-106118	A2 00779 C-1971778	
0 PLC ± -		WEIGHT -	SCALE - SHEET 1 OF 2 REV C	
1 PLC ± 0.35		Customer Drawing		
2 PLC ± 0.25				
3 PLC ± -				
4 PLC ± -				
ANGLES ± -				
FINISH				

THIS DRAWING IS UNPUBLISHED. RELEASED FOR PUBLICATION 20
 © COPYRIGHT 20 BY - ALL RIGHTS RESERVED.

LOC	DIST	REVISIONS			
P	LTR	DESCRIPTION	DATE	DWN	APVD
-	-	SEE SHEET 1	-	-	-



2*6 POSITIONS

2*5 POSITIONS

2*4 POSITIONS

2*3 POSITIONS

COLOR	MATERIAL	TYPE	POSITIONS	P/N
RED	PBT GF	STANDARD TEMP △3	2*6	△6 4-1971778-6
			2*5	△6 4-1971778-5
			2*4	△6 4-1971778-4
			2*3	△6 4-1971778-3
NATURAL	PBT GF	HWI △2	2*6	2-1971778-6
			2*5	2-1971778-5
			2*4	2-1971778-4
BLACK	NYLON PA66	HIGH TEMP △1	2*6	1971778-6
			2*5	1971778-5
			2*4	1971778-4
2*3	1971778-3			

THIS DRAWING IS A CONTROLLED DOCUMENT.

DIMENSIONS: mm	TOLERANCES UNLESS OTHERWISE SPECIFIED: 0 PLC ± - 1 PLC ± 0.35 2 PLC ± 0.25 3 PLC ± - 4 PLC ± - ANGLES ± - FINISH	DWN TOMMY WU 09JUL2012 CHK HAPYE WU 09JUL2012 APVD YUHONG MAO 09JUL2012	TE Connectivity	
MATERIAL		PRODUCT SPEC 108-106118 APPLICATION SPEC 114-106118 WEIGHT -	NAME TPA, DOUBLE ROW POWER TRIPLE LOCK SIZE CAGE CODE DRAWING NO RESTRICTED TO A2 00779 C-1971778 -	
Customer Drawing			SCALE -	SHEET 2 OF 2 REV C

X-ON Electronics

Largest Supplier of Electrical and Electronic Components

Click to view similar products for [Headers & Wire Housings](#) category:

Click to view products by [TE Connectivity](#) manufacturer:

Other Similar products are found below :

[892-18-020-10-001101](#) [58102-G61-06LF](#) [582553-1](#) [0009485154](#) [009176003701906](#) [0050291907](#) [LY20-4P-DT1-P1E-BR](#) [02.125.8002.8](#)
[609-3404](#) [61062-3](#) [61082-181009](#) [622-3653LF](#) [63453-116](#) [636-1030](#) [636-1427](#) [636-3427](#) [636-4007](#) [641938-9](#) [641991-4](#) [644827-2](#) [65817-](#)
[010LF](#) [65817-015LF](#) [65863-015LF](#) [66207-023LF](#) [67095-007LF](#) [67601157](#) [68645-018](#) [68648-049](#) [70.362.1628.0](#) [70-4210](#) [70-4226B](#) [70-](#)
[4853B](#) [707-5020](#) [707-5028](#) [71.350.2428.0](#) [71918-208LF](#) [71961-016LF](#) [733-134](#) [733-162](#) [754199-000](#) [760-3052](#) [787-8014-00](#) [79531-3000](#)
[FCN-360C032-B](#) [FCN-367T-T012/H](#) [FCN-723D010/2](#) [80.063.4001.1](#) [800-90-001-10-001000](#) [800-90-010-10-002000](#) [801-43-002-10-013000](#)