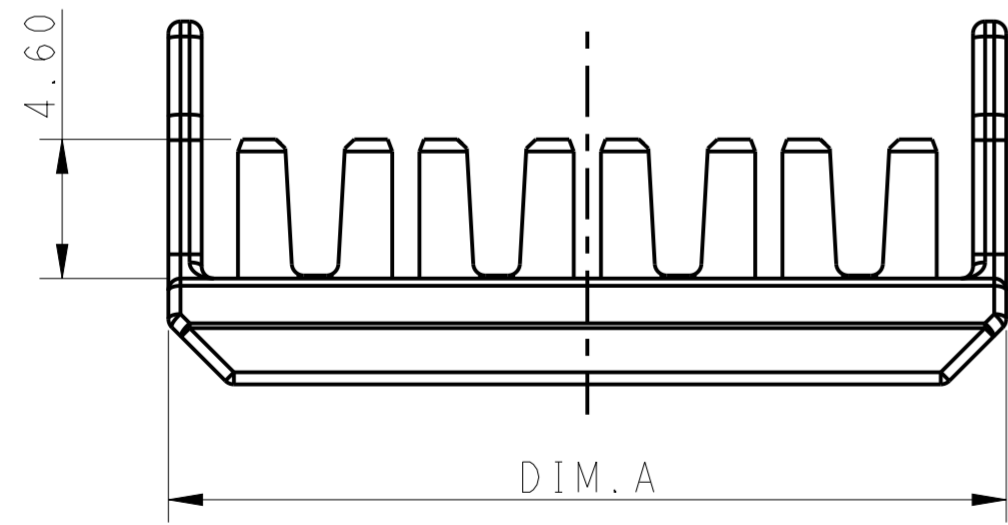
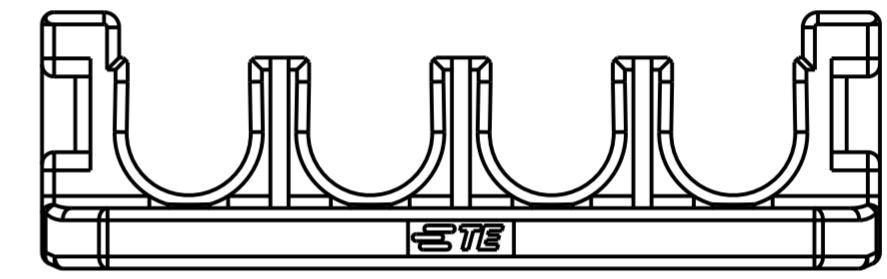
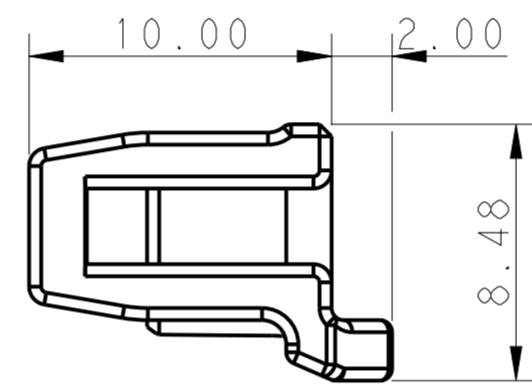
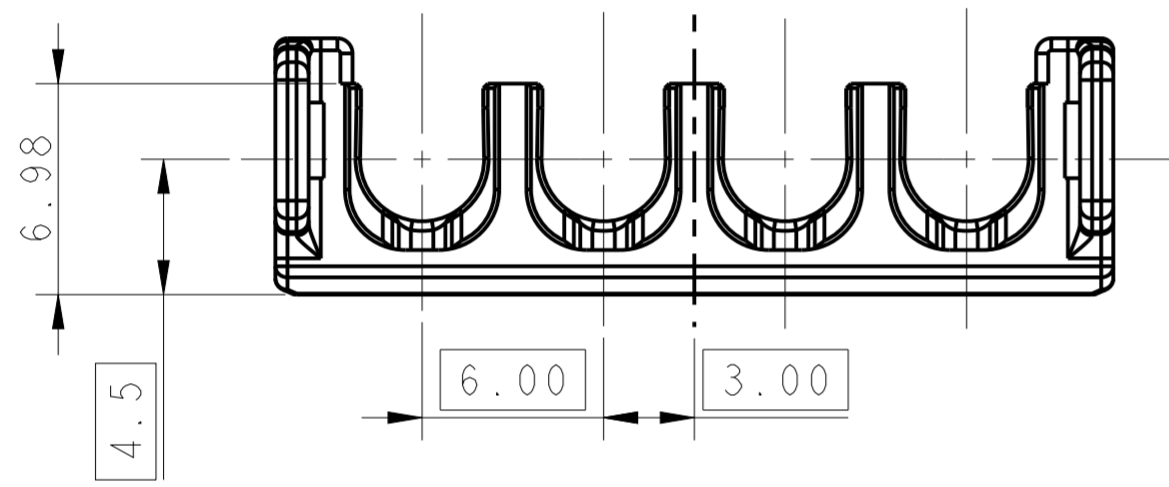
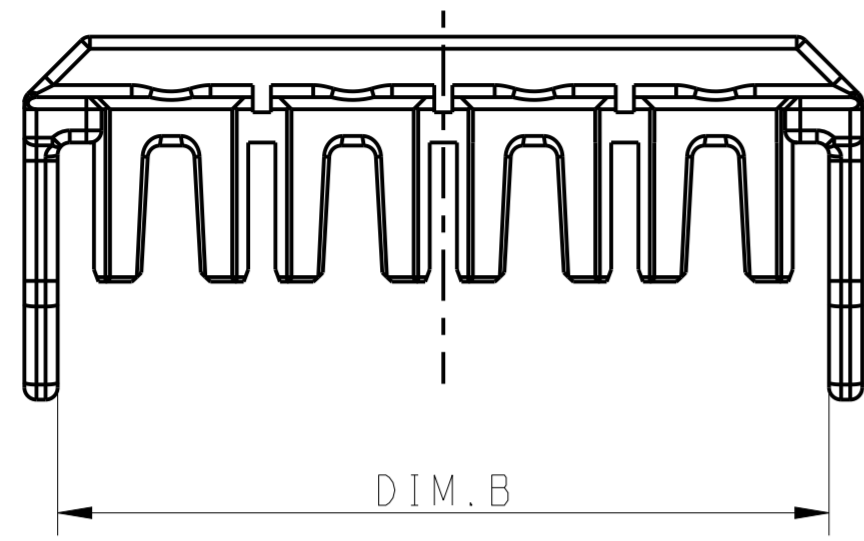


THIS DRAWING IS UNPUBLISHED. RELEASED FOR PUBLICATION 20  
 © COPYRIGHT 20 BY - ALL RIGHTS RESERVED.

LOC		DIST		REVISIONS			
P	LTR	DESCRIPTION	DATE	DWN	APVD		
-	-	D	REVISED PER ECR-21-100678	08APR2021	SS	VS	



POS.	DIM.A	DIM.B
1*5	33.70	31.5
1*4	27.70	25.5
1*3	21.70	19.5
1*2	15.70	13.5

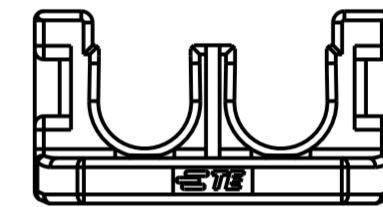
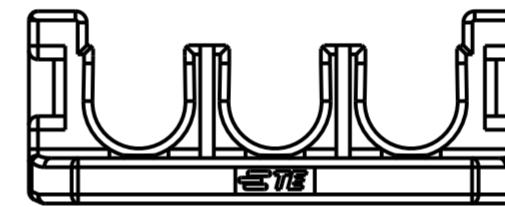
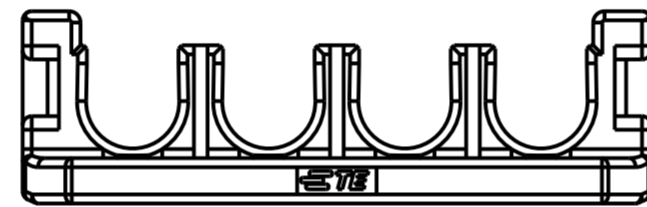
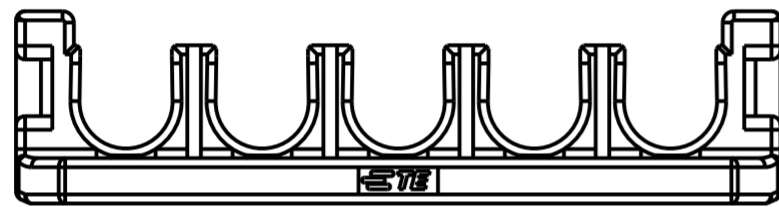
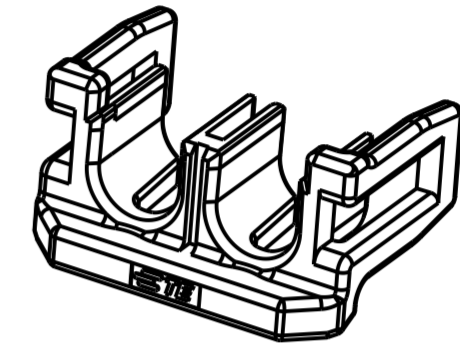
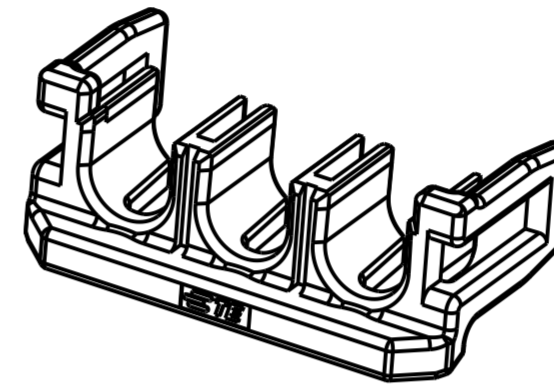
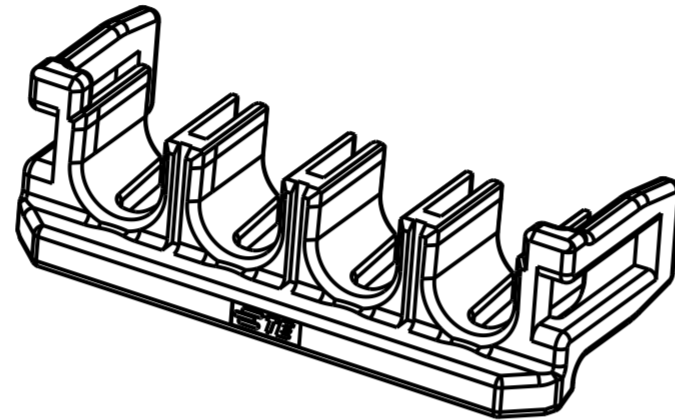
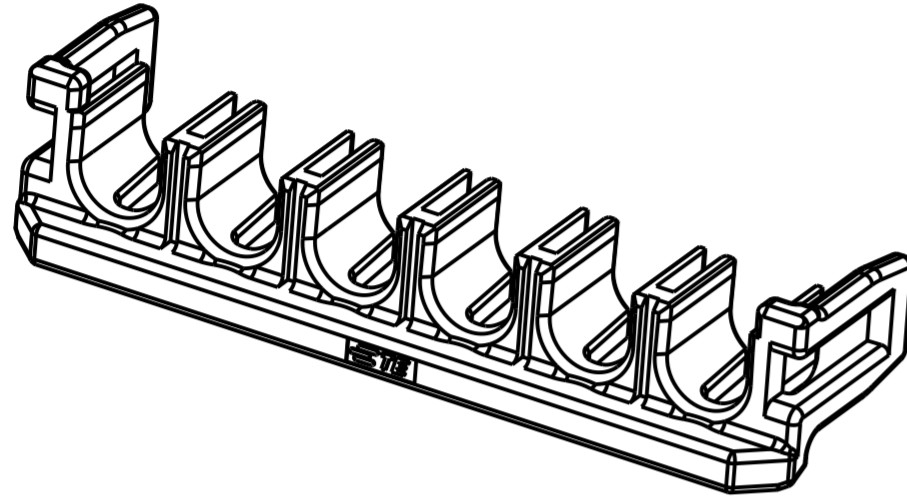
NOTE

- ① HIGH TEMP VERSIONS ARE RATED 150°C MAX AND ARE RECOMMENDED FOR USE WITH HIGH TEMP AND GLOW WIRE RATED HOUSINGS.
- ② HOT WIRE IGNITION(HWI) VERSIONS ARE MOLDED IN A RESIN THAT COMPLIES WITH TE PENDING HOT WIRE IGNITION TEST AND ARE RECOMMENDED FOR USE WITH HWI HOUSINGS THAT ALSO COMPLY.
- ③ STANDARD TEMPERATURE VERSIONS, RATED 140°C MAX ARE RECOMMENDED FOR USE WITH STANDARD TEMP AND GLOW WIRE RATED HOUSINGS.
- 4. MATING CONN, P/N  
 CAP HSG: \*-1971\*7\*-\*/\*-22322\*\*\*-\*/\*-22323\*\*\*-  
 PLUG HSG: \*-1971\*7\*-\*/\*-22322\*\*\*-\*/\*-22323\*\*\*-\*
- 5. FLAMMABILITY RATING: UL94V-0

THIS DRAWING IS A CONTROLLED DOCUMENT.		DWN TOMMY WU 09JUL2012	<b>STE</b> TE Connectivity	
DIMENSIONS: mm		CHK HAPYE WU 09JUL2012		
TOLERANCES UNLESS OTHERWISE SPECIFIED:		APVD YUHONG MAO 09JUL2012	NAME TPA, SINGLE ROW POWER TRIPLE LOCK	
0 PLC ±		PRODUCT SPEC 108-106118	SIZE CAGE CODE DRAWING NO RESTRICTED TO	
1 PLC ±0.35		APPLICATION SPEC 114-106118	A200779 C-1971777	
2 PLC ±0.25		WEIGHT -	SCALE - SHEET 1 OF 2 REV D	
3 PLC ±		MATERIAL -	Customer Drawing	
4 PLC ±		SEE TABLE		
ANGLES ±				
FINISH ±				

THIS DRAWING IS UNPUBLISHED. RELEASED FOR PUBLICATION 20  
 © COPYRIGHT 20 BY - ALL RIGHTS RESERVED.

REVISIONS							
LOC	DIST	P	LTR	DESCRIPTION	DATE	DWN	APVD
-	-	-	-	SEE SHEET 1	-	-	-



1\*5 POSITIONS

1\*4 POSITIONS

1\*3 POSITIONS

1\*2 POSITIONS

COLOR	MATERIAL	TYPE	POSITIONS	P/N
RED	PBT GF	STANDARD TEMP $\Delta_3$	1*5	$\Delta_6$ 4-1971777-5
			1*4	$\Delta_6$ 4-1971777-4
			1*3	$\Delta_6$ 4-1971777-3
			1*2	$\Delta_6$ 4-1971777-2
BLACK	PBT GF	HWI $\Delta_2$	1*2	3-1971777-2
			1*5	2-1971777-5
			1*4	2-1971777-4
			1*3	2-1971777-3
NATURAL	PBT GF	HWI $\Delta_2$	1*2	2-1971777-2
			1*5	1971777-5
			1*4	1971777-4
			1*3	1971777-3
BLACK	NYLON PA66	HIGH TEMP $\Delta_1$	1*2	1971777-2
			1*4	1971777-4
			1*3	1971777-3

THIS DRAWING IS A CONTROLLED DOCUMENT.		DWN TOMMY WU 09JUL2012	<b>STE</b> TE Connectivity	
		CHK HAPYE WU 09JUL2012		
		APVD YUHONG MAO 09JUL2012	NAME TPA, SINGLE ROW POWER TRIPLE LOCK	
DIMENSIONS: mm		PRODUCT SPEC 108-106118	SIZE CAGE CODE DRAWING NO RESTRICTED TO	
TOLERANCES UNLESS OTHERWISE SPECIFIED:		APPLICATION SPEC 114-106118	A200779 C-1971777	
MATERIAL SEE TABLE		WEIGHT -	SCALE - SHEET 2 OF 2 REV D	
		Customer Drawing		

## X-ON Electronics

Largest Supplier of Electrical and Electronic Components

*Click to view similar products for [Headers & Wire Housings](#) category:*

*Click to view products by [TE Connectivity](#) manufacturer:*

Other Similar products are found below :

[892-18-020-10-001101](#) [58102-G61-06LF](#) [582553-1](#) [0009485154](#) [009176003701906](#) [0050291907](#) [LY20-4P-DT1-P1E-BR](#) [02.125.8002.8](#)  
[609-3404](#) [61062-3](#) [61082-181009](#) [622-3653LF](#) [63453-116](#) [636-1030](#) [636-1427](#) [636-3427](#) [636-4007](#) [641938-9](#) [641991-4](#) [644827-2](#) [65817-](#)  
[010LF](#) [65817-015LF](#) [65863-015LF](#) [66207-023LF](#) [67095-007LF](#) [67601157](#) [68645-018](#) [68648-049](#) [70.362.1628.0](#) [70-4210](#) [70-4226B](#) [70-](#)  
[4853B](#) [707-5020](#) [707-5028](#) [71.350.2428.0](#) [71918-208LF](#) [71961-016LF](#) [733-134](#) [733-162](#) [754199-000](#) [760-3052](#) [787-8014-00](#) [79531-3000](#)  
[FCN-360C032-B](#) [FCN-367T-T012/H](#) [FCN-723D010/2](#) [80.063.4001.1](#) [800-90-001-10-001000](#) [800-90-010-10-002000](#) [801-43-002-10-013000](#)