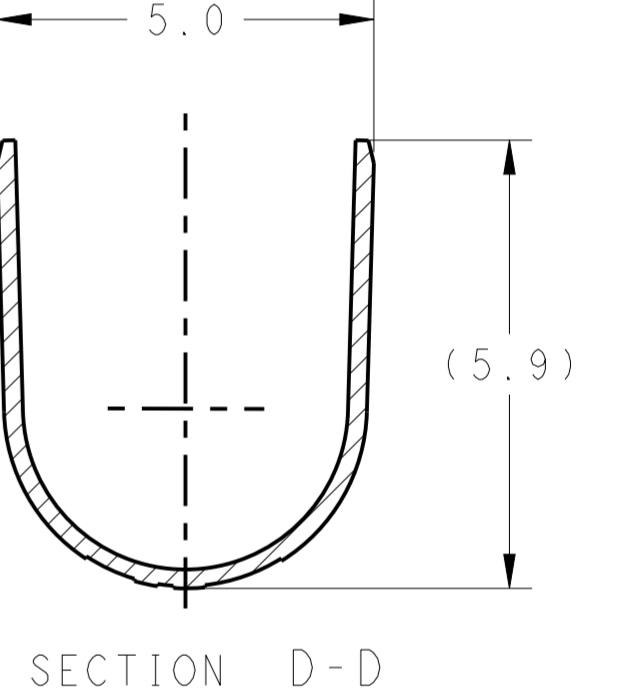
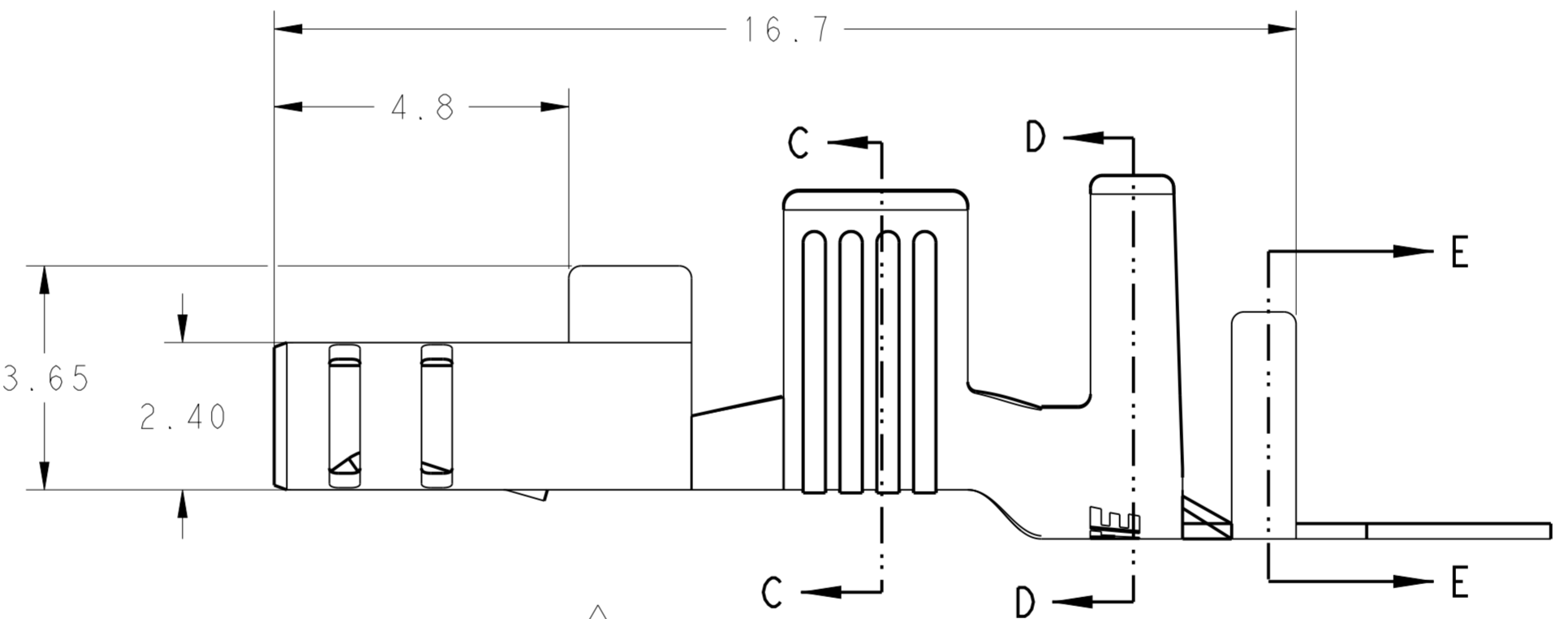
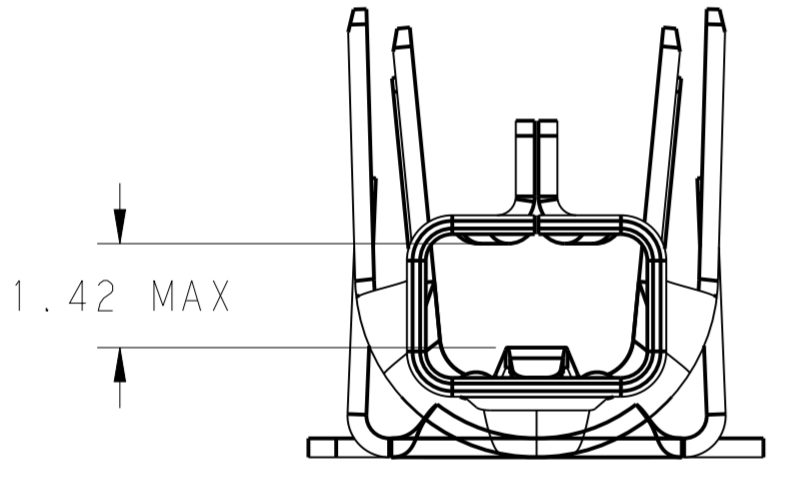
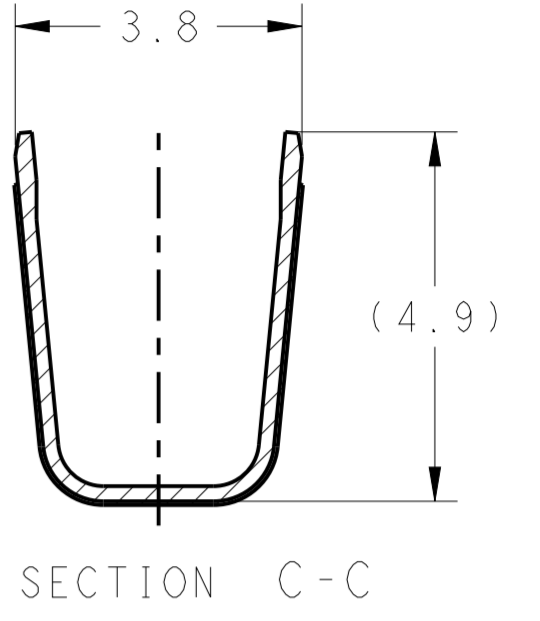
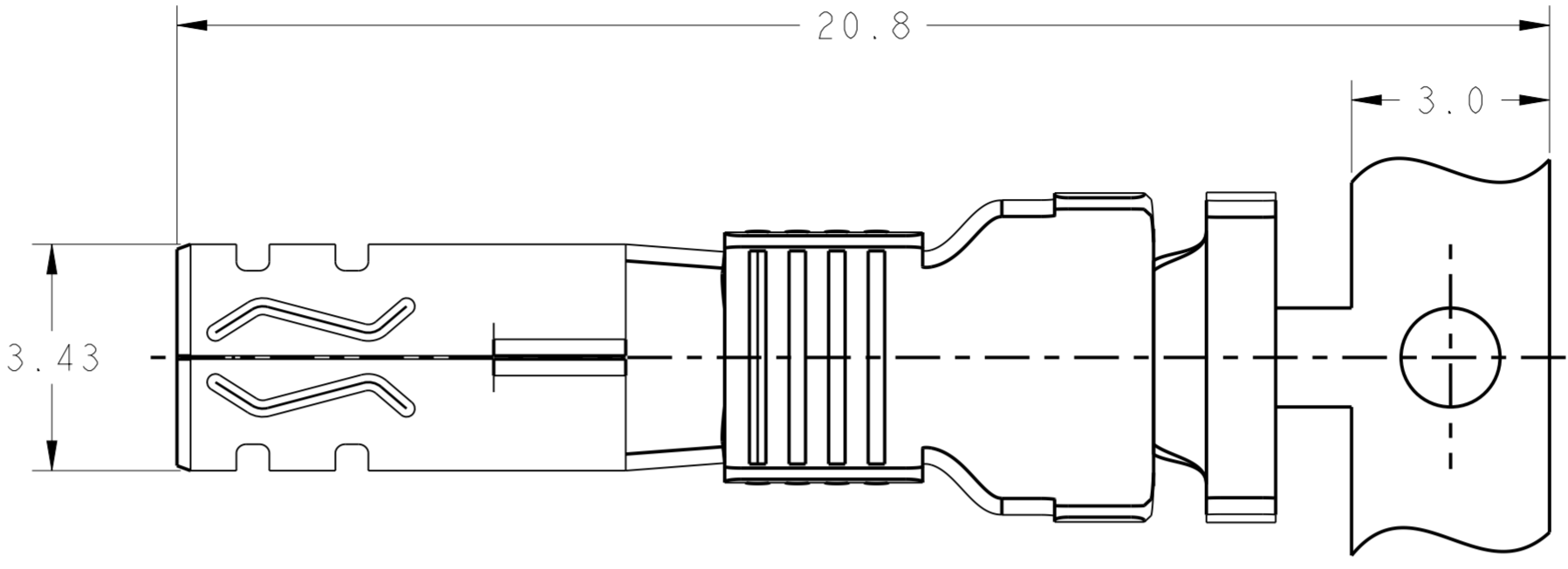
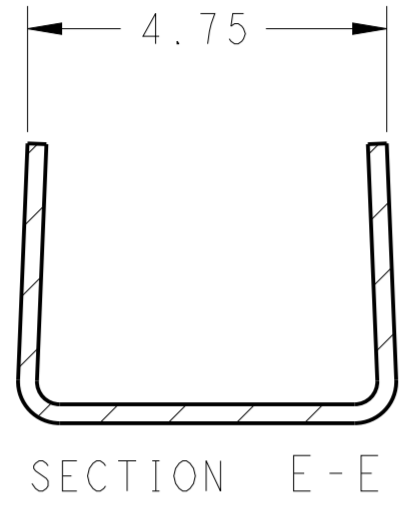
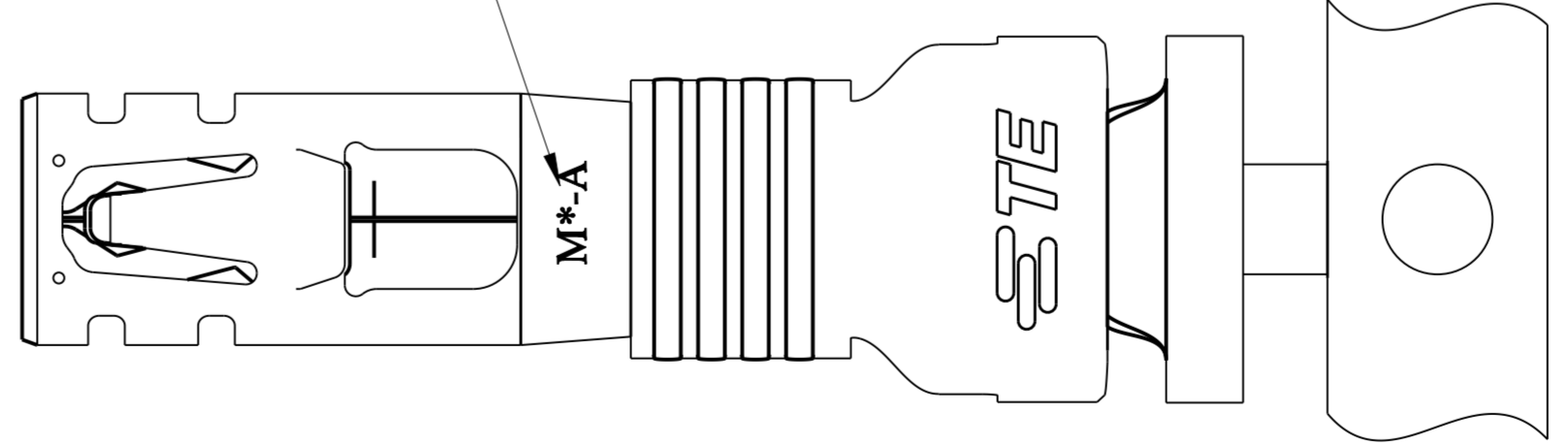


THIS DRAWING IS UNPUBLISHED. RELEASED FOR PUBLICATION 20
 © COPYRIGHT 20 BY - ALL RIGHTS RESERVED.

| LOC | DIST | REVISIONS | | | |
|-----|------|-------------|---------------------------|-----------|-------|
| P | LTR | DESCRIPTION | DATE | DWN | APVD |
| ES | 00 | F | REVISED PER ECR-21-100678 | 08APR2021 | SS VS |



MATERIAL/SIZE MARK $\triangle 7$



1. MATERIAL: COPPER ALLOY, PRE TIN PLATING.
2. RECOMMENDED WIRE RANGE: 12AWG COPPER STRANDED (6300-7700 CMA)
3. APPLICABLE INSULATION DIAMETER: 3.85~4.57mm.
4. APPLICABLE MATED PLUG HOUSING P/N:
 -1971773-/*-1971776-*/*-1971876-*/
 /*-2232265-*//*-2232266-*//*-2232357-*

$\triangle 5$ SUPERSEDED BY 1971779-2

$\triangle 6$ WIRE SIZE INDICATOR "A"=12 AWG

| | | |
|-----------------|-----------------------------|-----------|
| HIGH(150°C) | M0-A | 1971779-2 |
| STANDARD(105°C) | M4 | 1971779-1 |
| TEMP. RATING | MAT/SIZE MARK $\triangle 6$ | PART NO |

| | | | | |
|--|-------|-----------------------------|---|--|
| THIS DRAWING IS A CONTROLLED DOCUMENT. | | DWN TOMMY WU 11JUL2012 | STE TE Connectivity | |
| DIMENSIONS: mm | | CHK HAPYE WU 11JUL2012 | | |
| TOLERANCES UNLESS OTHERWISE SPECIFIED: | | APVD YIJHONG MAO 11JUL2012 | NAME RECEPTACLE CONTACT POWER TRIPLE LOCK | |
| 0 PLC | ± | PRODUCT SPEC 108-106118 | SIZE CAGE CODE DRAWING NO RESTRICTED TO | |
| 1 PLC | ±0.5 | APPLICATION SPEC 114-106118 | A200779 C-1971779 | |
| 2 PLC | ±0.30 | WEIGHT - | SCALE 6:1 SHEET 1 OF 1 REV F | |
| 3 PLC | ± | MATERIAL - | Customer Drawing | |
| 4 PLC | ± | | | |
| ANGLES | ± | | | |
| FINISH | ± | | | |

X-ON Electronics

Largest Supplier of Electrical and Electronic Components

Click to view similar products for [Headers & Wire Housings](#) category:

Click to view products by [TE Connectivity](#) manufacturer:

Other Similar products are found below :

[892-18-020-10-001101](#) [58102-G61-06LF](#) [582553-1](#) [0009485154](#) [009176003701906](#) [0050291907](#) [LY20-4P-DT1-P1E-BR](#) [02.125.8002.8](#)
[609-3404](#) [61062-3](#) [61082-181009](#) [622-3653LF](#) [63453-116](#) [636-1030](#) [636-1427](#) [636-3427](#) [636-4007](#) [641938-9](#) [641991-4](#) [644827-2](#) [65817-](#)
[010LF](#) [65817-015LF](#) [65863-015LF](#) [66207-023LF](#) [67095-007LF](#) [67601157](#) [68645-018](#) [68648-049](#) [70.362.1628.0](#) [70-4210](#) [70-4226B](#) [70-](#)
[4853B](#) [707-5020](#) [707-5028](#) [71.350.2428.0](#) [71918-208LF](#) [71961-016LF](#) [733-134](#) [733-162](#) [754199-000](#) [760-3052](#) [79531-3000](#) [FCN-](#)
[360C032-B](#) [FCN-367T-T012/H](#) [FCN-723D010/2](#) [80.063.4001.1](#) [800-90-010-10-002000](#) [801-43-002-10-013000](#) [801-43-006-10-002000](#)
[801-93-011-10-001000](#)