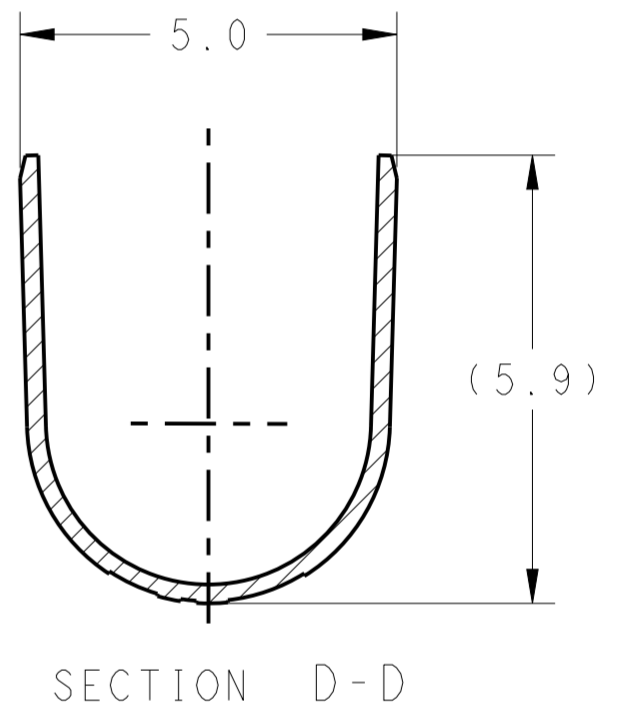
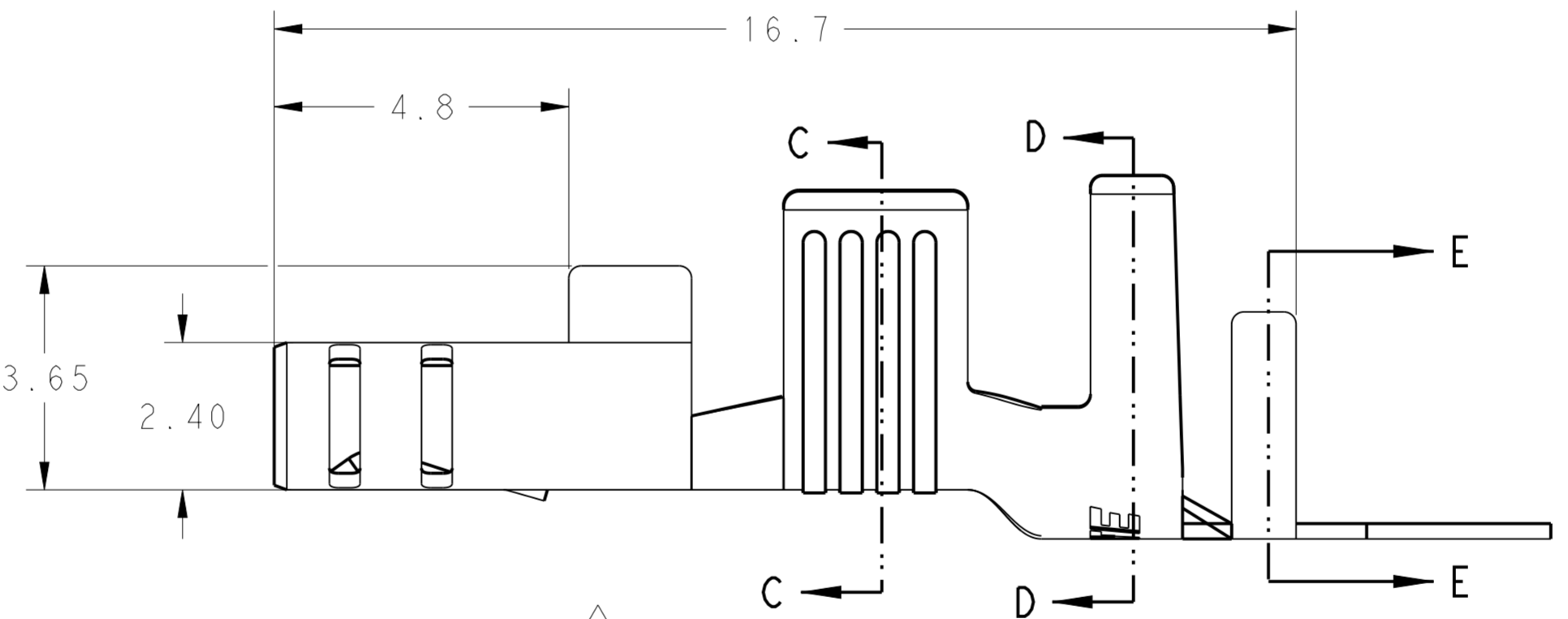
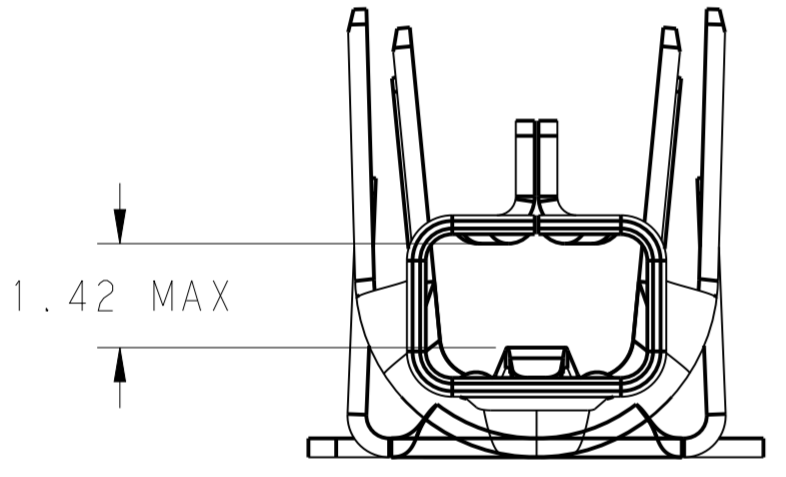
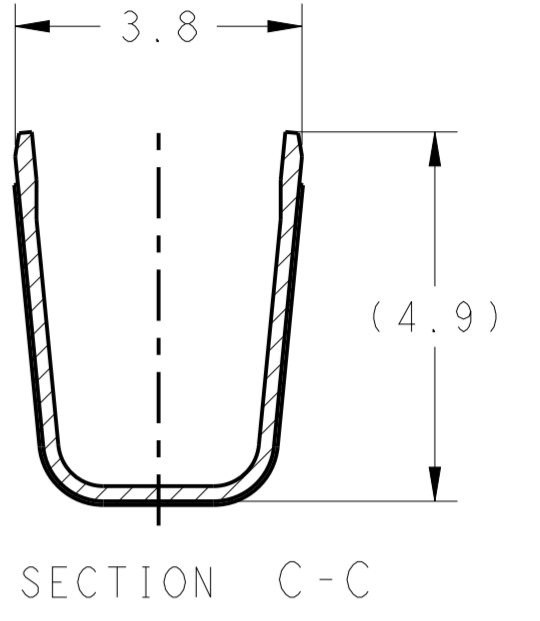
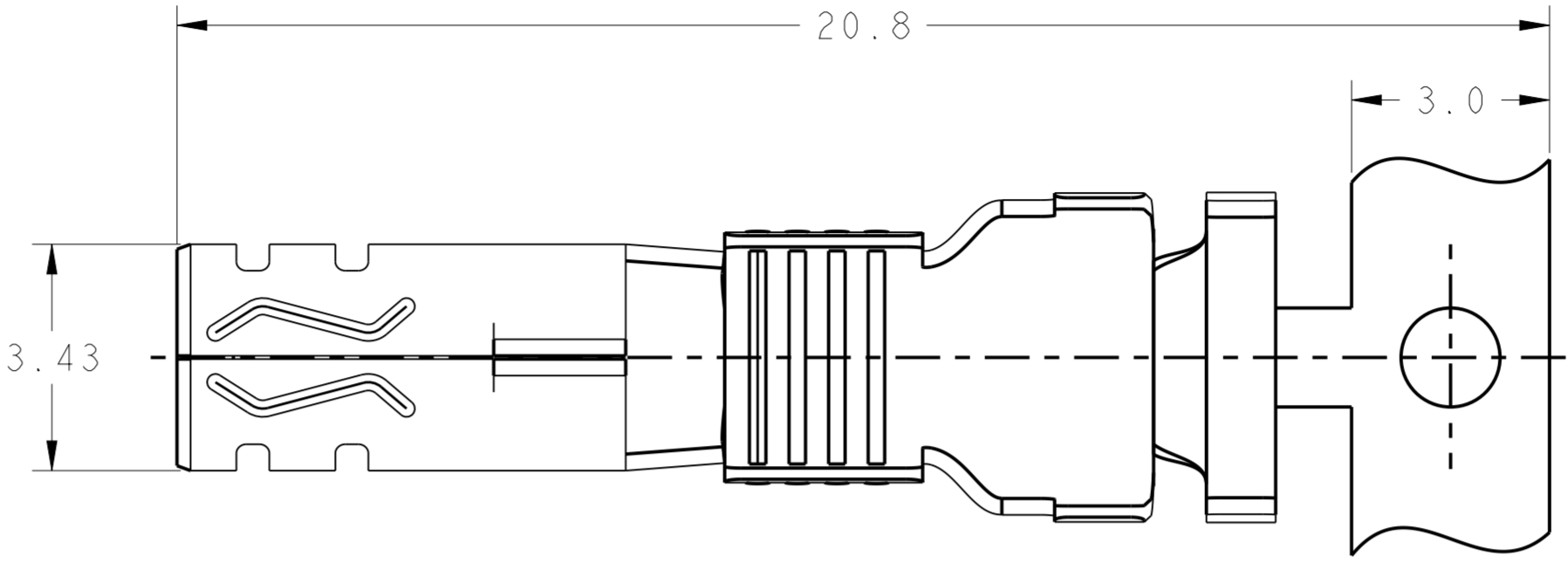
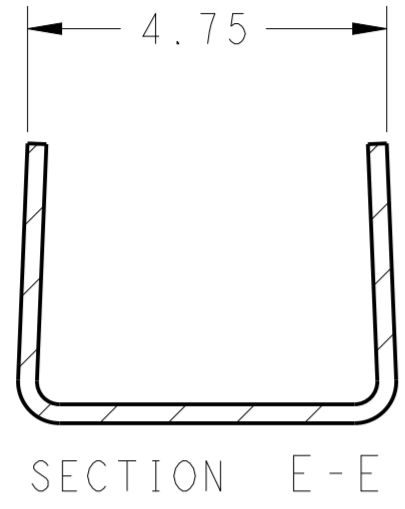
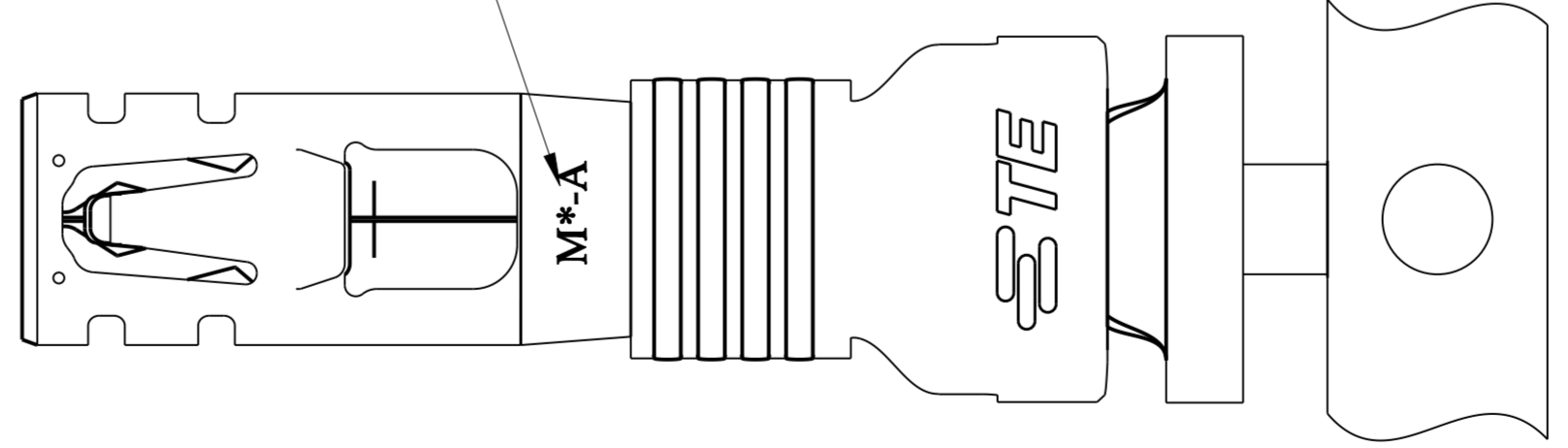


THIS DRAWING IS UNPUBLISHED. RELEASED FOR PUBLICATION 20  
 © COPYRIGHT 20 BY - ALL RIGHTS RESERVED.

| LOC | DIST | REVISIONS   |                           |           |       |
|-----|------|-------------|---------------------------|-----------|-------|
| P   | LTR  | DESCRIPTION | DATE                      | DWN       | APVD  |
| ES  | 00   | F           | REVISED PER ECR-21-100678 | 08APR2021 | SS VS |



MATERIAL/SIZE MARK  $\triangle 7$



1. MATERIAL: COPPER ALLOY, PRE TIN PLATING.
2. RECOMMENDED WIRE RANGE: 12AWG COPPER STRANDED (6300-7700 CMA)
3. APPLICABLE INSULATION DIAMETER: 3.85~4.57mm.
4. APPLICABLE MATED PLUG HOUSING P/N:  
 \*-1971773-\*/\*-1971776-\*/\*-1971876-\*/  
 /\*-2232265-\*//\*-2232266-\*//\*-2232357-\*

$\triangle 5$  SUPERSEDED BY 1971779-2

$\triangle 6$  WIRE SIZE INDICATOR "A"=12 AWG

|                 |                             |           |
|-----------------|-----------------------------|-----------|
| HIGH(150°C)     | M0-A                        | 1971779-2 |
| STANDARD(105°C) | M4                          | 1971779-1 |
| TEMP. RATING    | MAT/SIZE MARK $\triangle 6$ | PART NO   |

|  |       |                            |
|--|-------|----------------------------|
| THIS DRAWING IS A CONTROLLED DOCUMENT. |       | DWN TOMMY WU 11JUL2012     |
| DIMENSIONS: mm                         |       | CHK HAPYE WU 11JUL2012     |
| TOLERANCES UNLESS OTHERWISE SPECIFIED: |       | APVD YIJHONG MAO 11JUL2012 |
| 0 PLC                                  | ±     | PRODUCT SPEC               |
| 1 PLC                                  | ±0.5  | 108-106118                 |
| 2 PLC                                  | ±0.30 | APPLICATION SPEC           |
| 3 PLC                                  | ±     | 114-106118                 |
| 4 PLC                                  | ±     | WEIGHT                     |
| ANGLES                                 | ±     | -                          |
| FINISH                                 | ±     | Customer Drawing           |

|                            |           |                                      |               |
|----------------------------|-----------|--------------------------------------|---------------|
| <b>STE</b> TE Connectivity |           | NAME                                 |               |
|                            |           | RECEPTACLE CONTACT POWER TRIPLE LOCK |               |
| SIZE                       | CAGE CODE | DRAWING NO                           | RESTRICTED TO |
| A2                         | 00779     | C-1971779                            | -             |
| SCALE 6:1                  |           | SHEET 1 OF 1                         | REV F         |

## X-ON Electronics

Largest Supplier of Electrical and Electronic Components

*Click to view similar products for [Headers & Wire Housings](#) category:*

*Click to view products by [TE Connectivity](#) manufacturer:*

Other Similar products are found below :

[892-18-020-10-001101](#) [58102-G61-06LF](#) [582553-1](#) [0009485154](#) [009176003701906](#) [0050291907](#) [LY20-4P-DT1-P1E-BR](#) [02.125.8002.8](#)  
[609-3404](#) [61062-3](#) [61082-181009](#) [622-3653LF](#) [63453-116](#) [636-1030](#) [636-1427](#) [636-3427](#) [636-4007](#) [641938-9](#) [641991-4](#) [644827-2](#) [65817-010LF](#) [65817-015LF](#) [65863-015LF](#) [66207-023LF](#) [67095-007LF](#) [67601157](#) [68645-018](#) [68648-049](#) [70.362.1628.0](#) [70-4210](#) [70-4226B](#) [70-4853B](#) [707-5020](#) [707-5028](#) [71.350.2428.0](#) [71918-208LF](#) [71961-016LF](#) [733-134](#) [733-162](#) [754199-000](#) [760-3052](#) [787-8014-00](#) [79531-3000](#)  
[FCN-360C032-B](#) [FCN-367T-T012/H](#) [FCN-723D010/2](#) [80.063.4001.1](#) [800-90-001-10-001000](#) [800-90-010-10-002000](#) [801-43-002-10-013000](#)