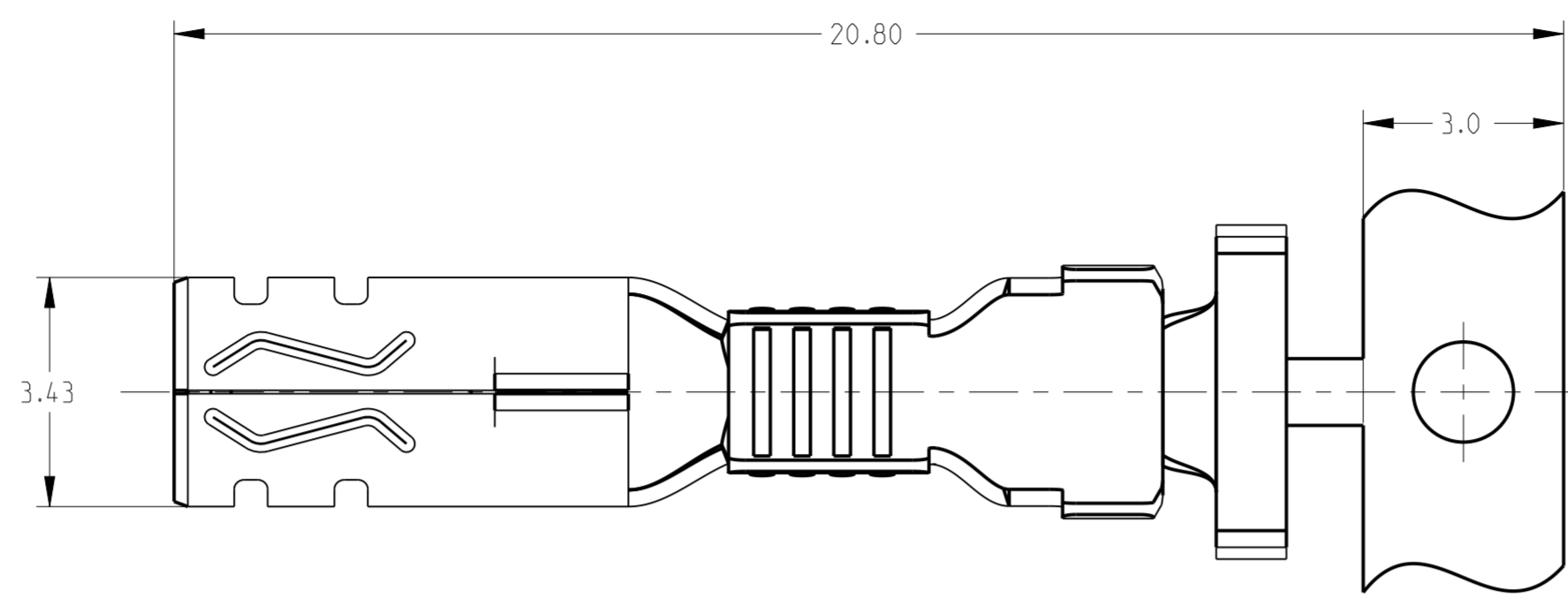
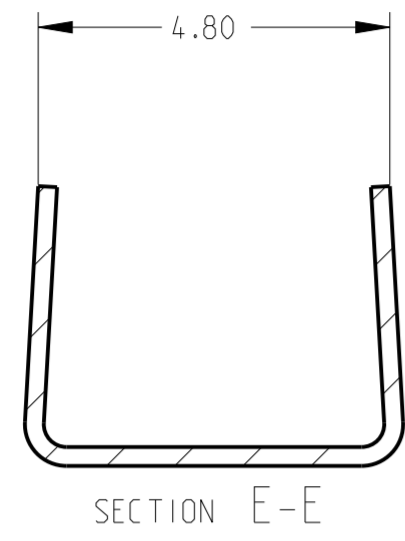


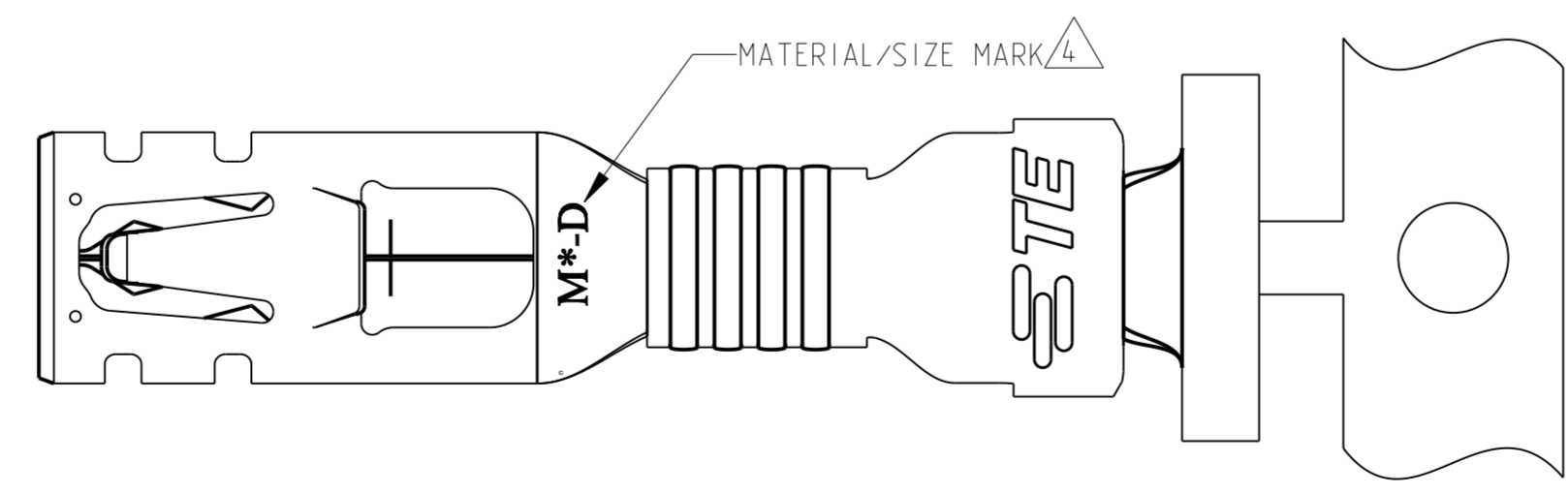
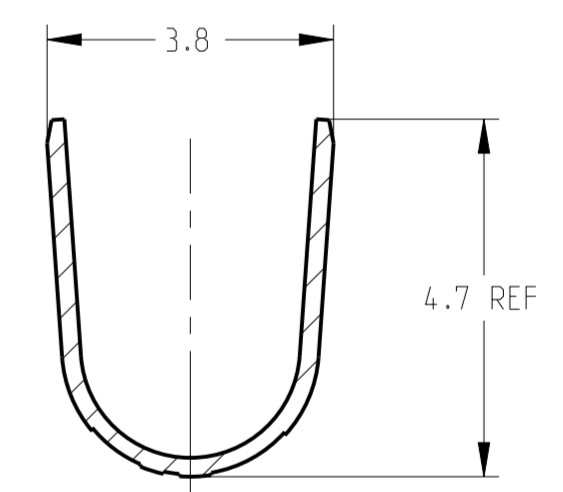
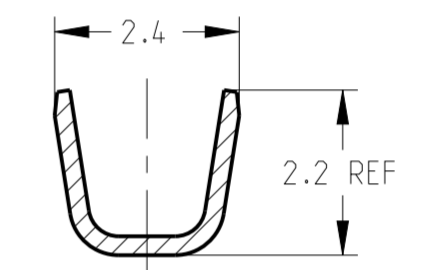
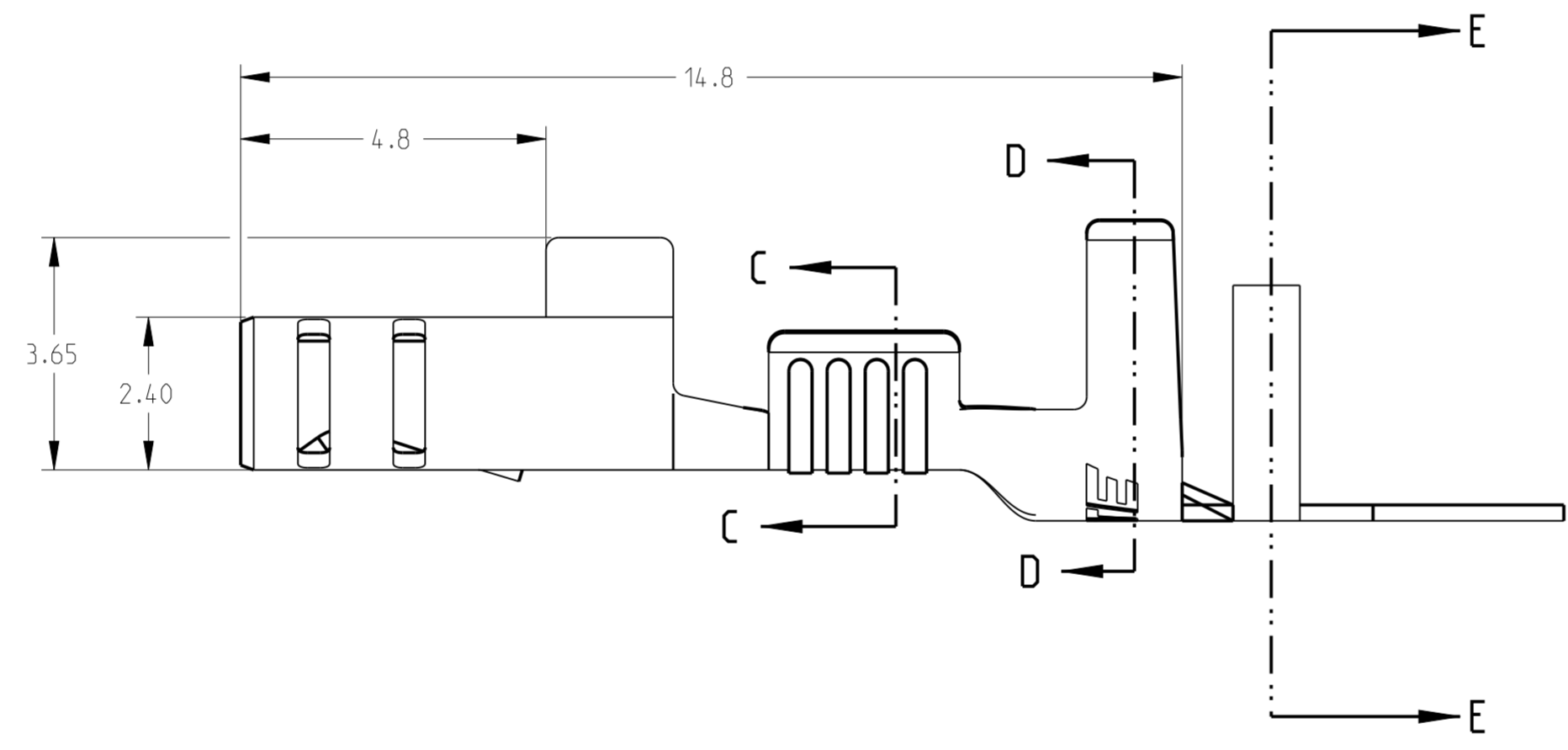
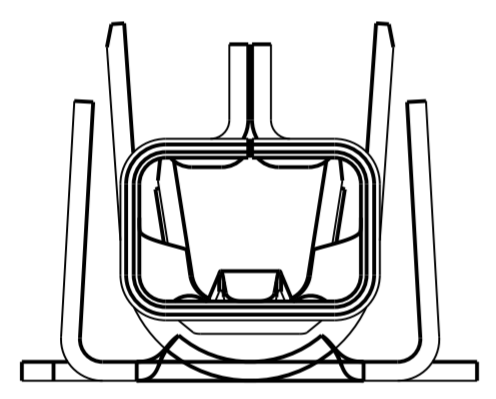
THIS DRAWING IS UNPUBLISHED. RELEASED FOR PUBLICATION 20
 © COPYRIGHT 20 BY - ALL RIGHTS RESERVED.

REVISIONS				
P	LTR	DESCRIPTION	DATE	APVD
	D	REVISED PER ECR-21-100678	08APR2021	SS VS



- 1 APPLICABLE WIRE RANGE: 18AWG COPPER STRANDED
- 2 APPLICABLE INSULATION DIAMETER: 2.40-3.30mm. 2.00-3.30mm WHEN AN OVERLAP INSULATION APPLICATOR IS USED.
- 3 APPLICABLE MATED PLUG HOUSING P/N:
 -1971773-/*-1971776-*/*-1971876-*/
 -2232265/*-2232266-*/*-2232357-*

△ WIRE SIZE INDICATOR "D"=18 AWG



COPPER ALLOY	HIGH (150°C)	M0-D	2238066-2
PHOS BRONZE	STANDARD (105°C)	M1-D	2238066-1
MATERIAL	TEMP. RATING	△ MATERIAL/SIZE MARK	PART NO

THIS DRAWING IS A CONTROLLED DOCUMENT.

DWN	17NOV2014	 TE Connectivity
CHK	17NOV2014	
APVD	17NOV2014	
NAME	JACON. GENE	
DIMENSIONS: mm TOLERANCES UNLESS OTHERWISE SPECIFIED: 0 PLC ± 1 PLC ±0.5 2 PLC ±0.30 3 PLC ± 4 PLC ± ANGLES ± FINISH PRE-TIN		PRODUCT SPEC 108-106118 APPLICATION SPEC 114-106118 WEIGHT - Customer Drawing
MATERIAL SEE TABLE		NAME RECEPTACLE CONTACT POWER TRIPLE LOCK, 18 AWG SIZE A2 CAGE CODE 00779 DRAWING NO C-2238066 RESTRICTED TO - SCALE 10:1 SHEET 1 OF 1 REV D

X-ON Electronics

Largest Supplier of Electrical and Electronic Components

Click to view similar products for [Headers & Wire Housings](#) category:

Click to view products by [TE Connectivity](#) manufacturer:

Other Similar products are found below :

[892-18-020-10-001101](#) [58102-G61-06LF](#) [582553-1](#) [0009485154](#) [009176003701906](#) [0050291907](#) [LY20-4P-DT1-P1E-BR](#) [02.125.8002.8](#)
[609-3404](#) [61062-3](#) [61082-181009](#) [622-3653LF](#) [63453-116](#) [636-1030](#) [636-1427](#) [636-3427](#) [636-4007](#) [641938-9](#) [641991-4](#) [644827-2](#) [65817-](#)
[010LF](#) [65817-015LF](#) [65863-015LF](#) [66207-023LF](#) [67095-007LF](#) [67601157](#) [68645-018](#) [68648-049](#) [70.362.1628.0](#) [70-4210](#) [70-4226B](#) [70-](#)
[4853B](#) [707-5020](#) [707-5028](#) [71.350.2428.0](#) [71918-208LF](#) [71961-016LF](#) [733-134](#) [733-162](#) [754199-000](#) [760-3052](#) [787-8014-00](#) [79531-3000](#)
[FCN-360C032-B](#) [FCN-367T-T012/H](#) [FCN-723D010/2](#) [80.063.4001.1](#) [800-90-001-10-001000](#) [800-90-010-10-002000](#) [801-43-002-10-013000](#)