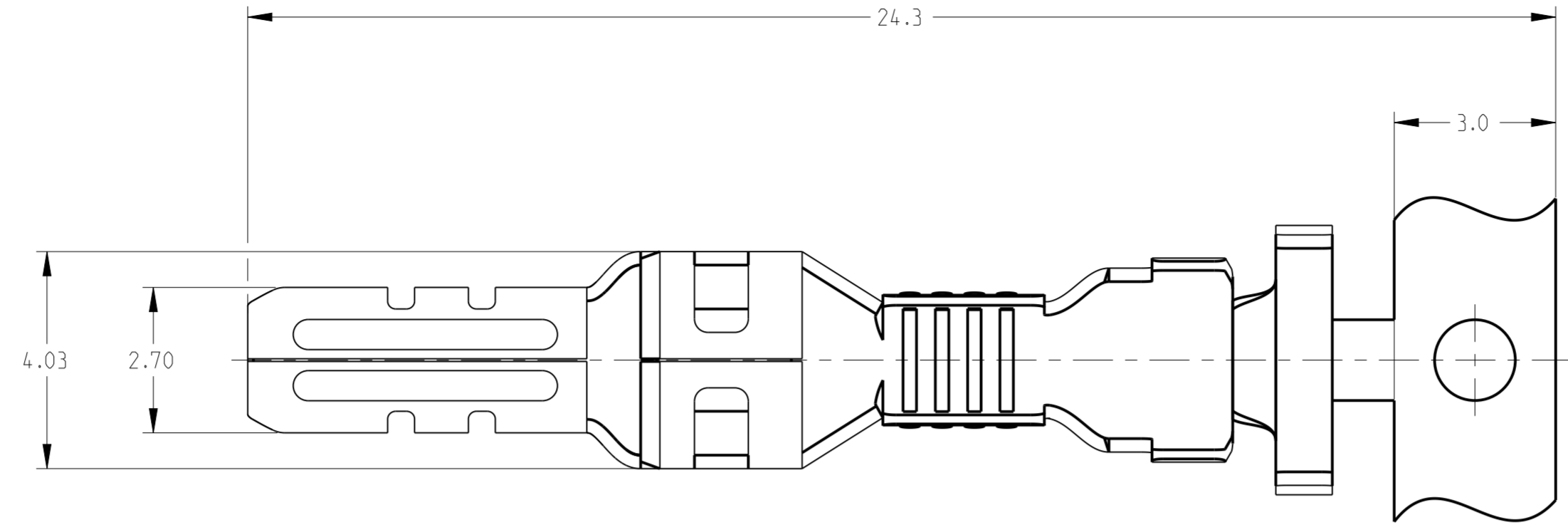
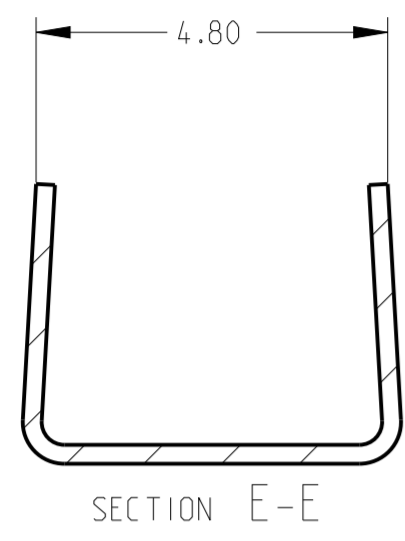
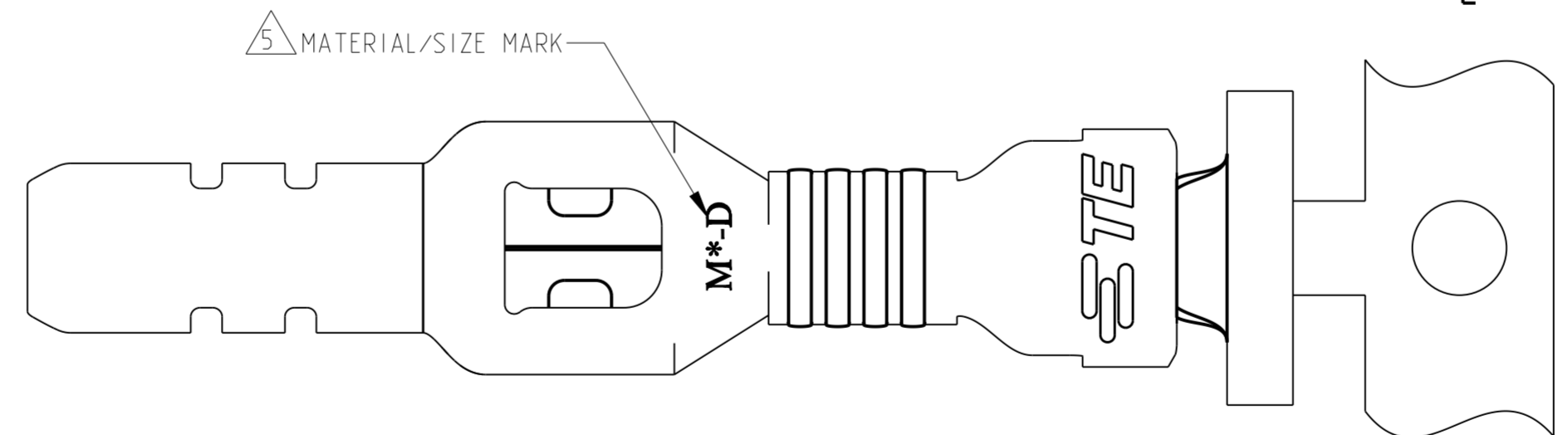
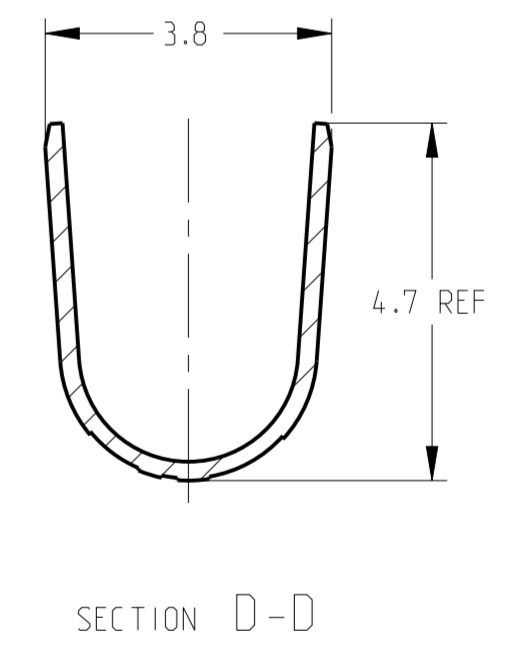
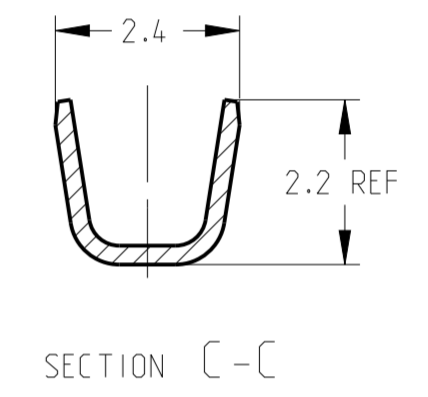
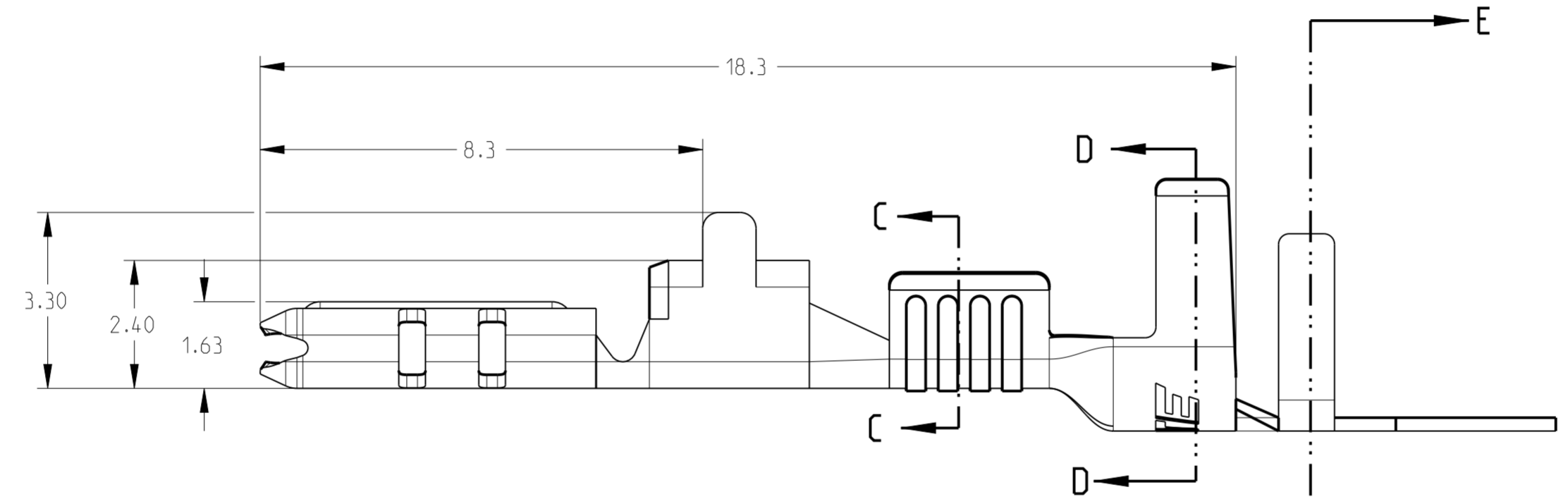
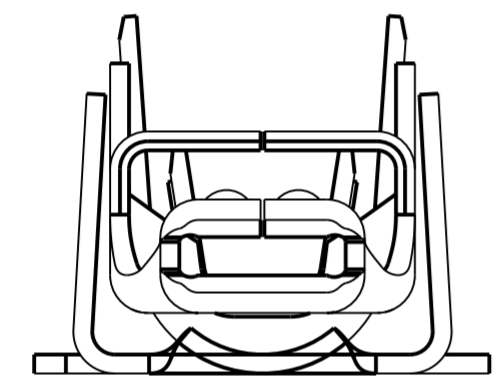


THIS DRAWING IS UNPUBLISHED. RELEASED FOR PUBLICATION 20
 © COPYRIGHT 20 BY - ALL RIGHTS RESERVED.

REVISIONS				
P	LTR	DESCRIPTION	DATE	APVD
	D	REVISED PER ECR-21-100678	08APR2021	SS VS



- 1 RECOMMENDED WIRE RANGE: 18AWG
COPPER STRANDED (1580 ~ 1800 CMA)
 - 2 APPLICABLE INSULATION DIAMETER: 2.40~3.30mm.
2.00~3.30mm WHEN OVERLAP INSULATION
APPLICATOR USED.
 - 3 APPLICABLE MATED CAP HOUSING P/N:
-1971772-/*-1971775-*/*-1971875-*/
-2232263-/*-2232264-*/*-2232356-*
- ⚠ WIRE SIZE INDICATOR "D"=18 AWG



COPPER ALLOY	HIGH (150°C)	M0-D	2238067-2
BRASS	STANDARD (105°C)	M8-D	2238067-1
MATERIAL	TEMP. RATING	MATERIAL/SIZE MARK	PART NO

THIS DRAWING IS A CONTROLLED DOCUMENT.

DWN NAGALAKSHMI K 17NOV2014	 TE Connectivity	NAME		
CHK JACONO GENE 17NOV2014		TAB CONTACT POWER TRIPLE LOCK, 18 AWG		
APVD JACONO GENE 17NOV2014		SIZE	CAGE CODE	DRAWING NO
PRODUCT SPEC 108-106118		A2100779	C-2238067	RESTRICTED TO
APPLICATION SPEC 114-106118	WEIGHT	SCALE	SHEET	
MATERIAL SEE TABLE	PRE-TIN	10:1	1 OF 1	
Customer Drawing		REV	D	

X-ON Electronics

Largest Supplier of Electrical and Electronic Components

Click to view similar products for [Headers & Wire Housings](#) category:

Click to view products by [TE Connectivity](#) manufacturer:

Other Similar products are found below :

[892-18-020-10-001101](#) [58102-G61-06LF](#) [582553-1](#) [0009485154](#) [009176003701906](#) [0050291907](#) [LY20-4P-DT1-P1E-BR](#) [02.125.8002.8](#)
[609-3404](#) [61062-3](#) [61082-181009](#) [622-3653LF](#) [63453-116](#) [636-1030](#) [636-1427](#) [636-3427](#) [636-4007](#) [641938-9](#) [641991-4](#) [644827-2](#) [65817-010LF](#) [65817-015LF](#) [65863-015LF](#) [66207-023LF](#) [67095-007LF](#) [67601157](#) [68645-018](#) [68648-049](#) [70.362.1628.0](#) [70-4210](#) [70-4226B](#) [70-4853B](#) [707-5020](#) [707-5028](#) [71.350.2428.0](#) [71918-208LF](#) [71961-016LF](#) [733-134](#) [733-162](#) [754199-000](#) [760-3052](#) [787-8014-00](#) [79531-3000](#)
[FCN-360C032-B](#) [FCN-367T-T012/H](#) [FCN-723D010/2](#) [80.063.4001.1](#) [800-90-001-10-001000](#) [800-90-010-10-002000](#) [801-43-002-10-013000](#)