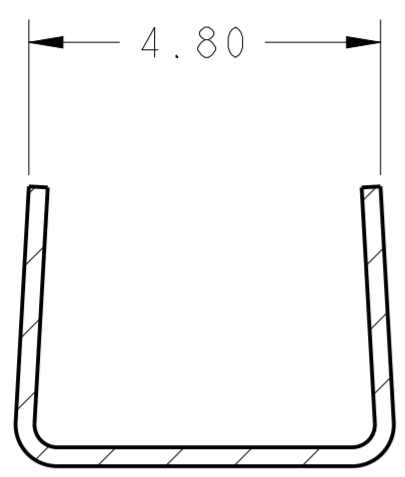
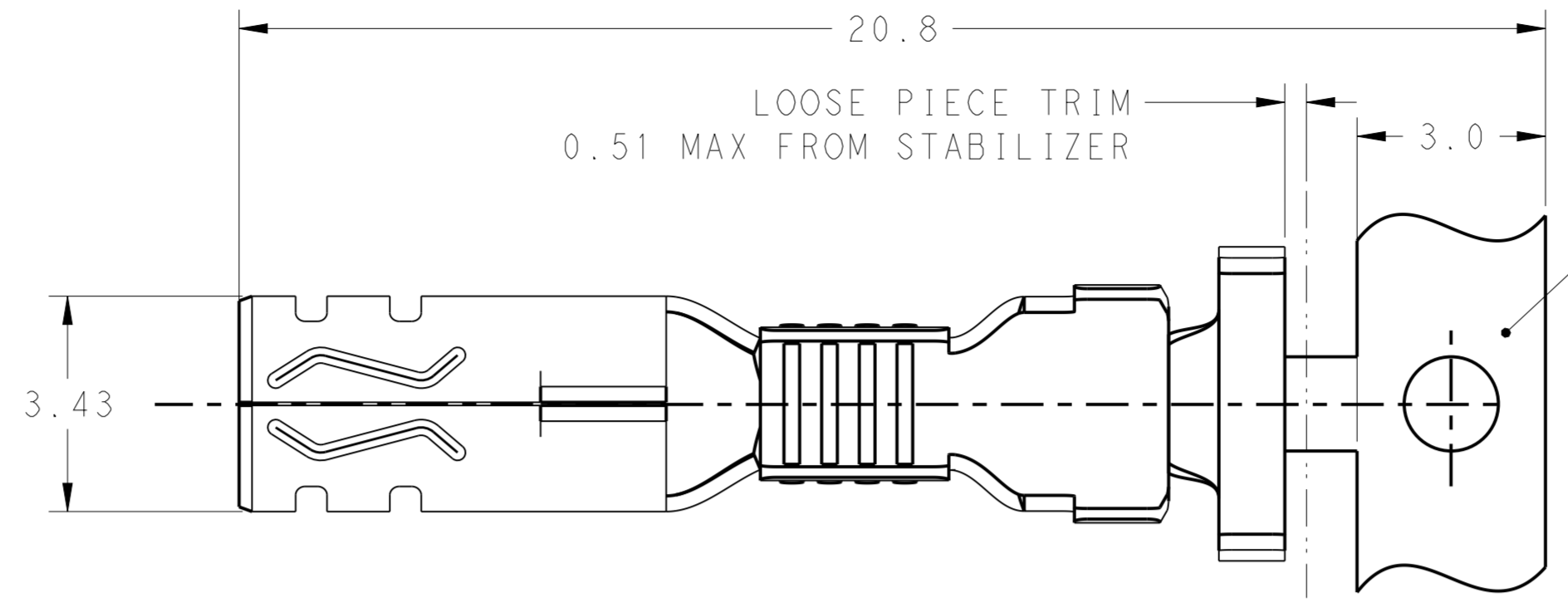


THIS DRAWING IS UNPUBLISHED. RELEASED FOR PUBLICATION 20
 © COPYRIGHT 20 BY - ALL RIGHTS RESERVED.

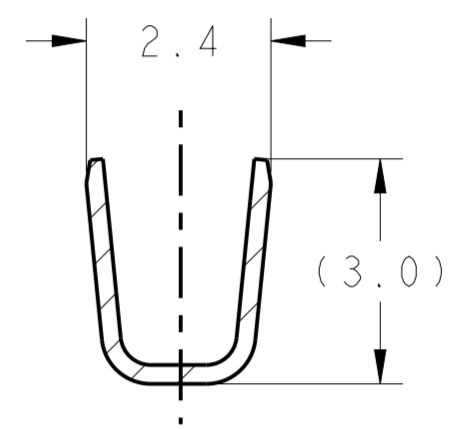
REVISIONS				
P	LTR	DESCRIPTION	DATE	APVD
E		REVISED PER ECR-21-100678	08APR2021	SS VS



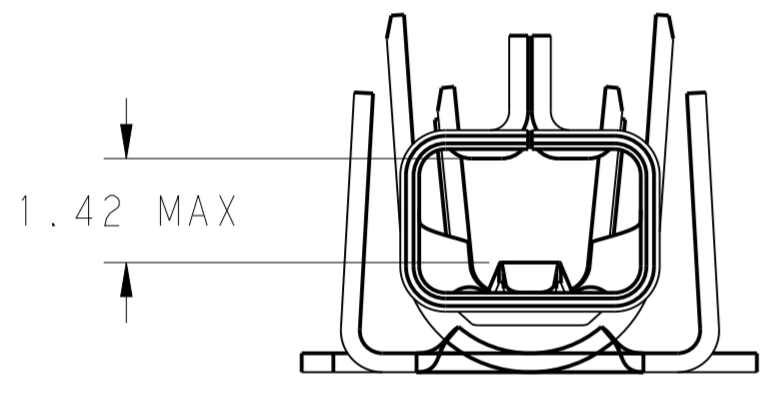
SECTION E-E



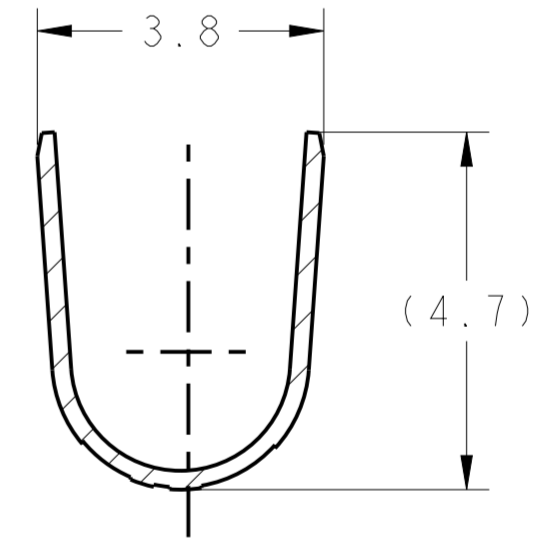
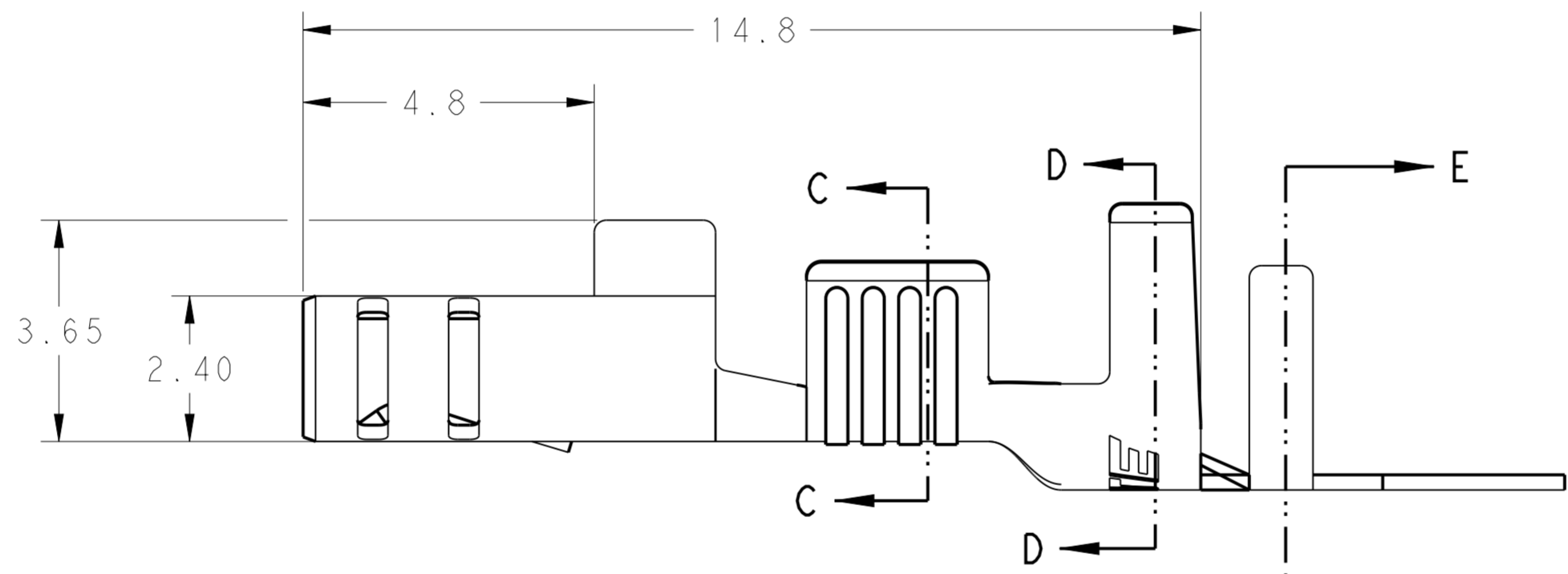
CARRIER NOT PRESENT ON LOOSE PIECE



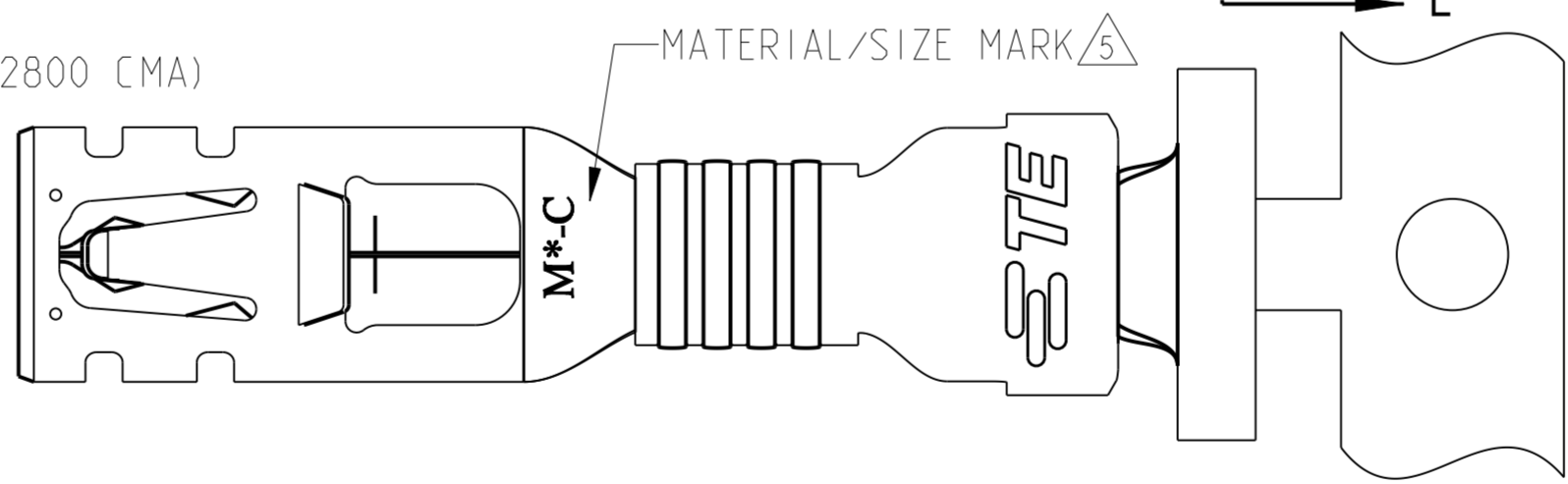
SECTION C-C



1.42 MAX



SECTION D-D



- RECOMMENDED WIRE RANGE: 16~19AWG COPPER STRANDED(1300-2800 CMA) OR 2x 22AWG COPPER STRANDED (1300-2800 CMA TOTAL). FOR A #19 AWG WIRE THE RECOMMENDED MINIMUM CROSS-SECTIONAL AREA IS 0.65mm² (1300 CMA).
- FOR WIRE WITH AN AREA/CMA SMALLER THAN INDICATED ABOVE, RECEPTACLE 1971785-() IS RECOMMENDED.
- APPLICABLE INSULATION DIAMETER: 2.40~3.30mm. 1.80~3.30mm(2.0 mm MAX EACH WIRE FOR 2x 22AWG) WHEN AN OVERLAP INSULATION APPLICATOR IS USED.
- APPLICABLE MATED PLUG HOUSING P/N:
 -1971773-/*-1971776-*/*-1971876-*/
 -2232265-/*-2232266-*/*-2232357-*

△ WIRE SIZE INDICATOR C=16-19, 2x22 AWG

LOOSE PIECE	COPPER ALLOY	HIGH (150°C)	M0-C	4-1971783-2
CONTINUOUS W CARRIER	COPPER ALLOY	HIGH(150°C)	M0-C	1971783-2
CONTINUOUS W CARRIER	PHOS BRONZE	STANDARD(105°C)	M1-C	1971783-1
CONFIGURATION	MATERIAL	TEMP. RATING	△ MATERIAL/SIZE MARK	PART NO

THIS DRAWING IS A CONTROLLED DOCUMENT.

DIMENSIONS: mm	TOLERANCES UNLESS OTHERWISE SPECIFIED:	DWN TOMMY WU 11JUL2012	TE Connectivity
	0 PLC ± 0.5 1 PLC ± 0.5 2 PLC ± 0.30 3 PLC ± 4 PLC ± ANGLES ± FINISH	CHK HAPYE WU 11JUL2012	
		APVD YUJHONG MAO 11JUL2012	
		PRODUCT SPEC 108-106118	
		APPLICATION SPEC 114-106118	
MATERIAL SEE TABLE	PRE-TIN	WEIGHT -	NAME RECEPTACLE CONTACT POWER TRIPLE LOCK SIZE A2 CAGE CODE 00779 DRAWING NO C-1971783 SCALE 6:1 SHEET 1 OF 1 REV F

Customer Drawing

X-ON Electronics

Largest Supplier of Electrical and Electronic Components

Click to view similar products for [Headers & Wire Housings](#) category:

Click to view products by [TE Connectivity](#) manufacturer:

Other Similar products are found below :

[892-18-020-10-001101](#) [58102-G61-06LF](#) [582553-1](#) [0009485154](#) [009176003701906](#) [0050291907](#) [LY20-4P-DT1-P1E-BR](#) [02.125.8002.8](#)
[609-3404](#) [61062-3](#) [61082-181009](#) [622-3653LF](#) [63453-116](#) [636-1030](#) [636-1427](#) [636-3427](#) [636-4007](#) [641938-9](#) [641991-4](#) [644827-2](#) [65817-](#)
[010LF](#) [65817-015LF](#) [65863-015LF](#) [66207-023LF](#) [67095-007LF](#) [67601157](#) [68645-018](#) [68648-049](#) [70.362.1628.0](#) [70-4210](#) [70-4226B](#) [70-](#)
[4853B](#) [707-5020](#) [707-5028](#) [71.350.2428.0](#) [71918-208LF](#) [71961-016LF](#) [733-134](#) [733-162](#) [754199-000](#) [760-3052](#) [79531-3000](#) [FCN-](#)
[360C032-B](#) [FCN-367T-T012/H](#) [FCN-723D010/2](#) [80.063.4001.1](#) [800-90-010-10-002000](#) [801-43-002-10-013000](#) [801-43-006-10-002000](#)
[801-93-011-10-001000](#)