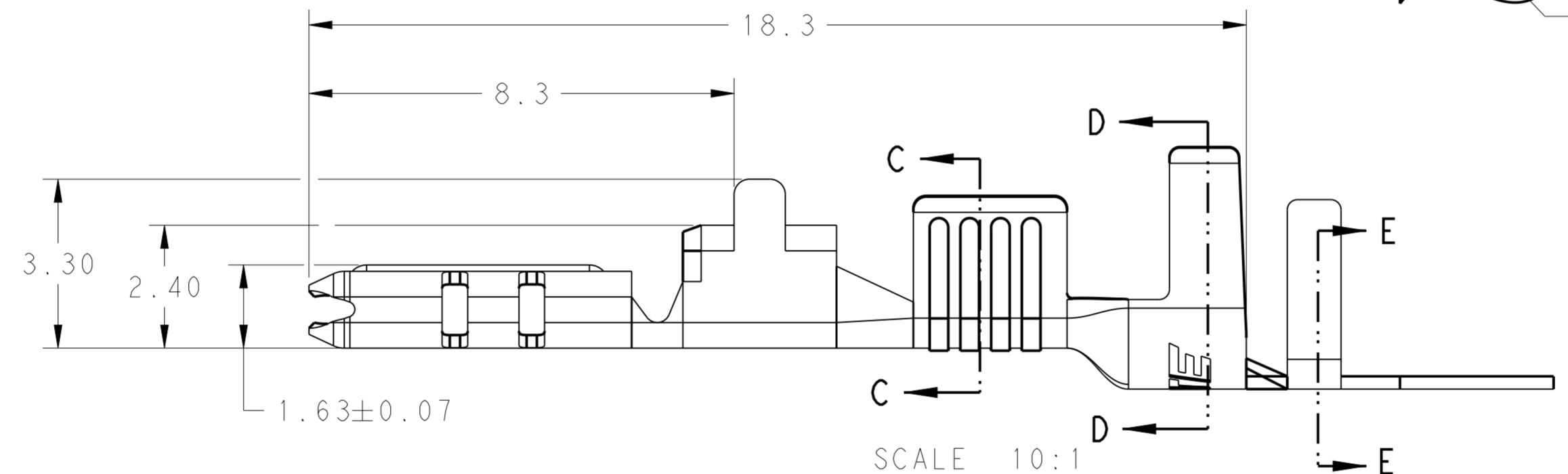
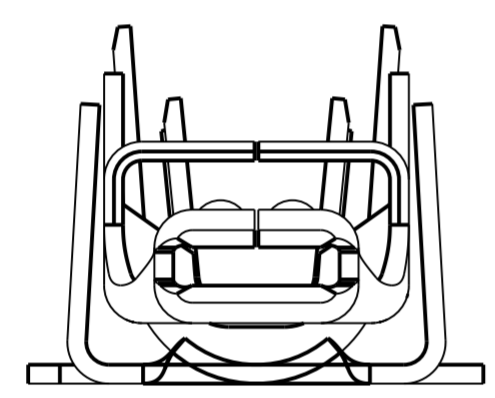
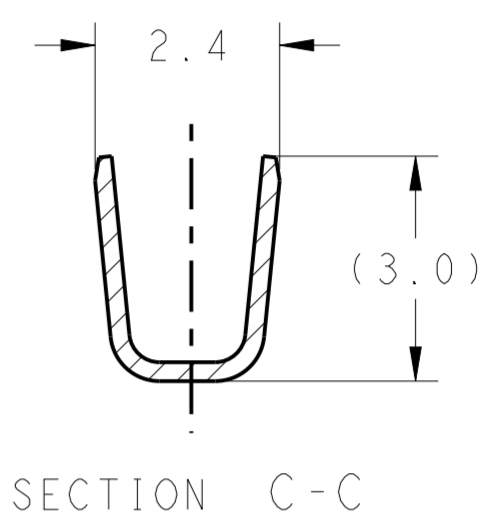
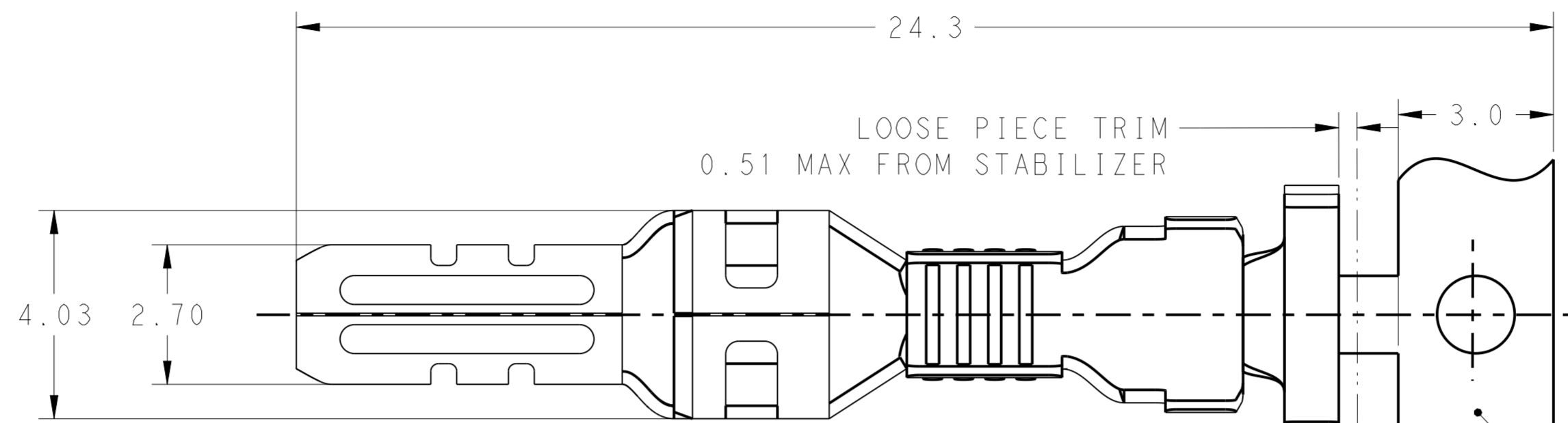
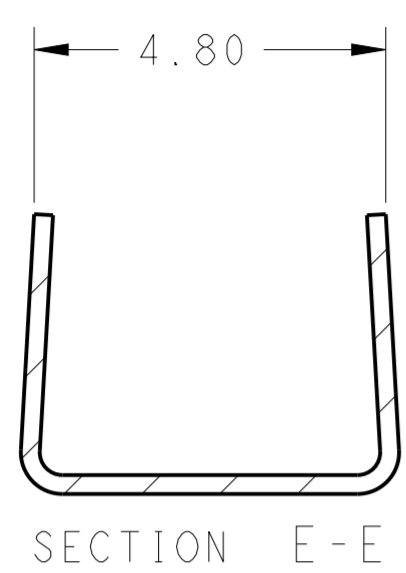
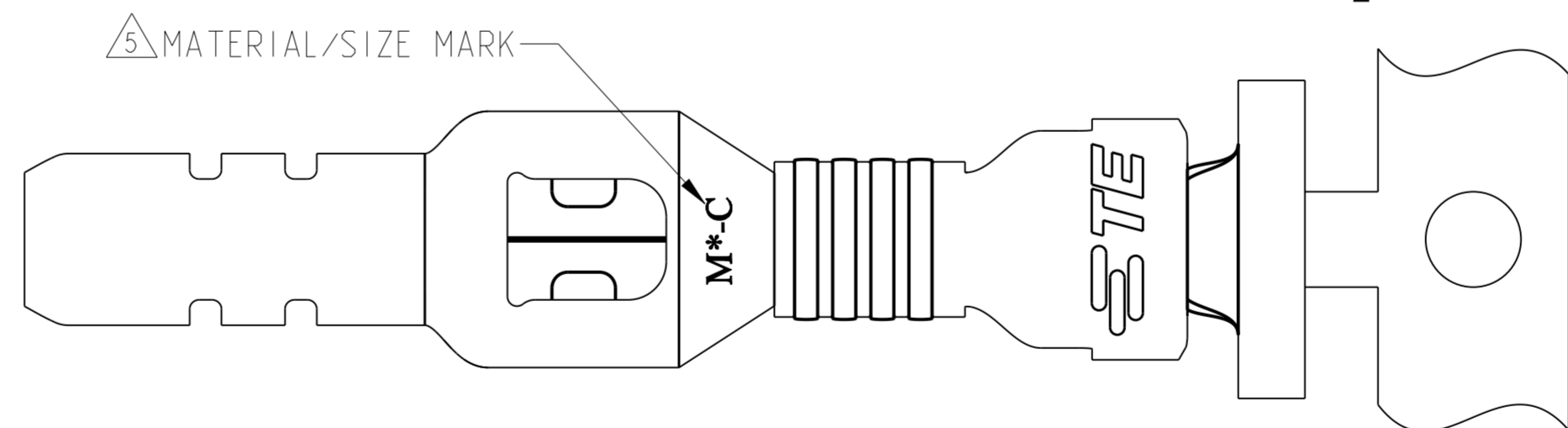
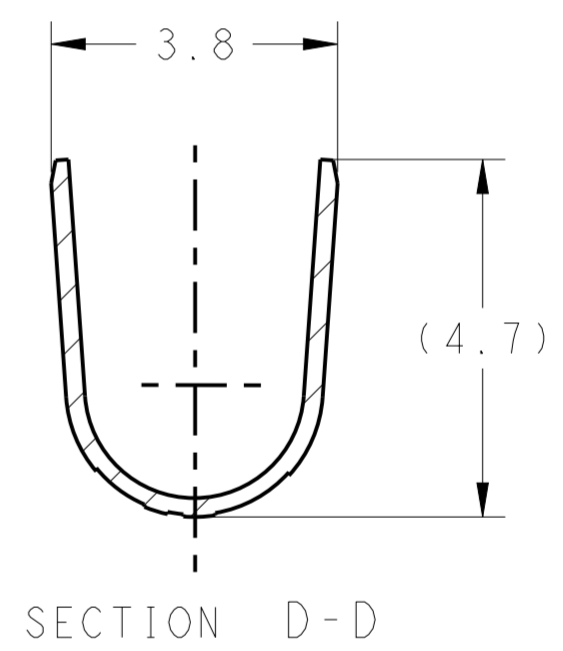


THIS DRAWING IS UNPUBLISHED. RELEASED FOR PUBLICATION 20  
 © COPYRIGHT 20 BY - ALL RIGHTS RESERVED.

LOC	DIST	REVISIONS			
P	LTR	DESCRIPTION	DATE	DWN	APVD
ES	00	E	REVISED PER ECR-21-100678	08APR2021	SS VS



CARRIER NOT PRESENT ON LOOSE PIECE



- 1 RECOMMENDED WIRE RANGE: 16~19AWG COPPER STRANDED (1300~2800 CMA) OR 2x22 AWG COPPER STRANDED (1300 ~ 2800 CMA TOTAL) FOR A #19 AWG WIRE THE RECOMMENDED MINIMUM CROSS-SECTIONAL AREA IS 0.65mm<sup>2</sup> (1300 CMA).
- 2 FOR WIRE WITH AN AREA/CMA SMALLER THAN INDICATED ABOVE, TAB 1971786-( ) IS RECOMMENDED.
- 3 APPLICABLE INSULATION DIAMETER: 2.40~3.30mm. 1.80~3.30 mm (2.0 mm MAX FOR 2x22 AWG) WHEN OVERLAP INSULATION APPLICATOR USED.
- 4 APPLICABLE MATED CAP HOUSING P/N:  
 \*-1971772-\*/\*-1971775-\*/\*-1971875-\*/  
 \*-2232263-\*/\*-2232264-\*/\*-2232356-\*

△ WIRE SIZE INDICATOR "C" = 16-19, 2x22 AWG

LOOSE PIECE	COPPER ALLOY	HIGH(150°C)	M0-C	4-1971784-2
CONTINUOUS W CARRIER	COPPER ALLOY	HIGH(150°C)	M0-C	1971784-2
CONTINUOUS W CARRIER	BRASS	STANDARD(105°C)	M8-C	1971784-1
CONFIGURATION	MATERIAL	TEMP. RATING	MATERIAL/ SIZE MARK △	PART NO

THIS DRAWING IS A CONTROLLED DOCUMENT.

DIMENSIONS: mm	TOLERANCES UNLESS OTHERWISE SPECIFIED:	DWN TOMMY WU 11JUL2011	TE Connectivity
	0 PLC ±	CHK HAPYE WU 11JUL2011	
	1 PLC ±0.5	APVD YUHONG MAO 11JUL2011	
	2 PLC ±0.30	NAME	
	3 PLC ±	PRODUCT SPEC	
MATERIAL SEE TABLE	PRE-TIN	APPLIC. SPEC	108-106118
		WEIGHT	114-106118
		CUSTOMER DRAWING	SCALE 5:1 SHEET 1 OF 1 REV E

## X-ON Electronics

Largest Supplier of Electrical and Electronic Components

*Click to view similar products for [Headers & Wire Housings](#) category:*

*Click to view products by [TE Connectivity](#) manufacturer:*

Other Similar products are found below :

[892-18-020-10-001101](#) [58102-G61-06LF](#) [582553-1](#) [0009485154](#) [009176003701906](#) [0050291907](#) [LY20-4P-DT1-P1E-BR](#) [02.125.8002.8](#)  
[609-3404](#) [61062-3](#) [61082-181009](#) [622-3653LF](#) [63453-116](#) [636-1030](#) [636-1427](#) [636-3427](#) [636-4007](#) [641938-9](#) [641991-4](#) [644827-2](#) [65817-010LF](#) [65817-015LF](#) [65863-015LF](#) [66207-023LF](#) [67095-007LF](#) [67601157](#) [68645-018](#) [68648-049](#) [70.362.1628.0](#) [70-4210](#) [70-4226B](#) [70-4853B](#) [707-5020](#) [707-5028](#) [71.350.2428.0](#) [71918-208LF](#) [71961-016LF](#) [733-134](#) [733-162](#) [754199-000](#) [760-3052](#) [787-8014-00](#) [79531-3000](#)  
[FCN-360C032-B](#) [FCN-367T-T012/H](#) [FCN-723D010/2](#) [80.063.4001.1](#) [800-90-001-10-001000](#) [800-90-010-10-002000](#) [801-43-002-10-013000](#)