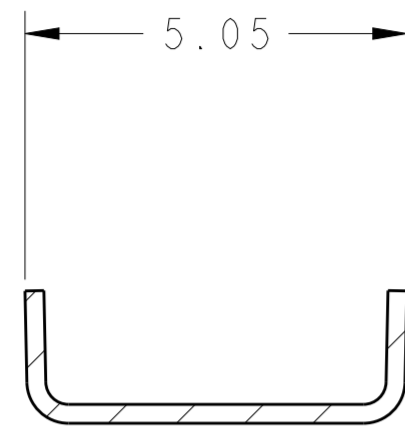


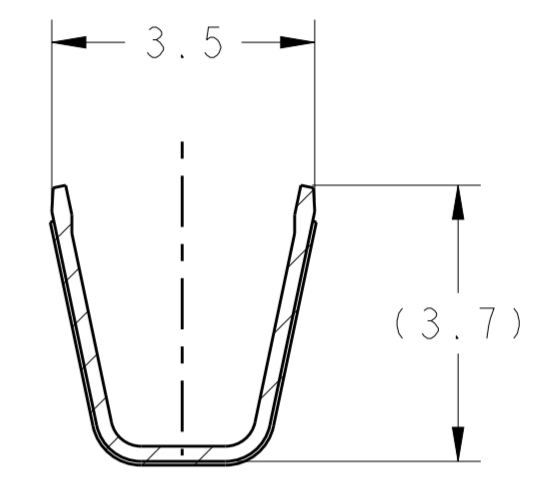
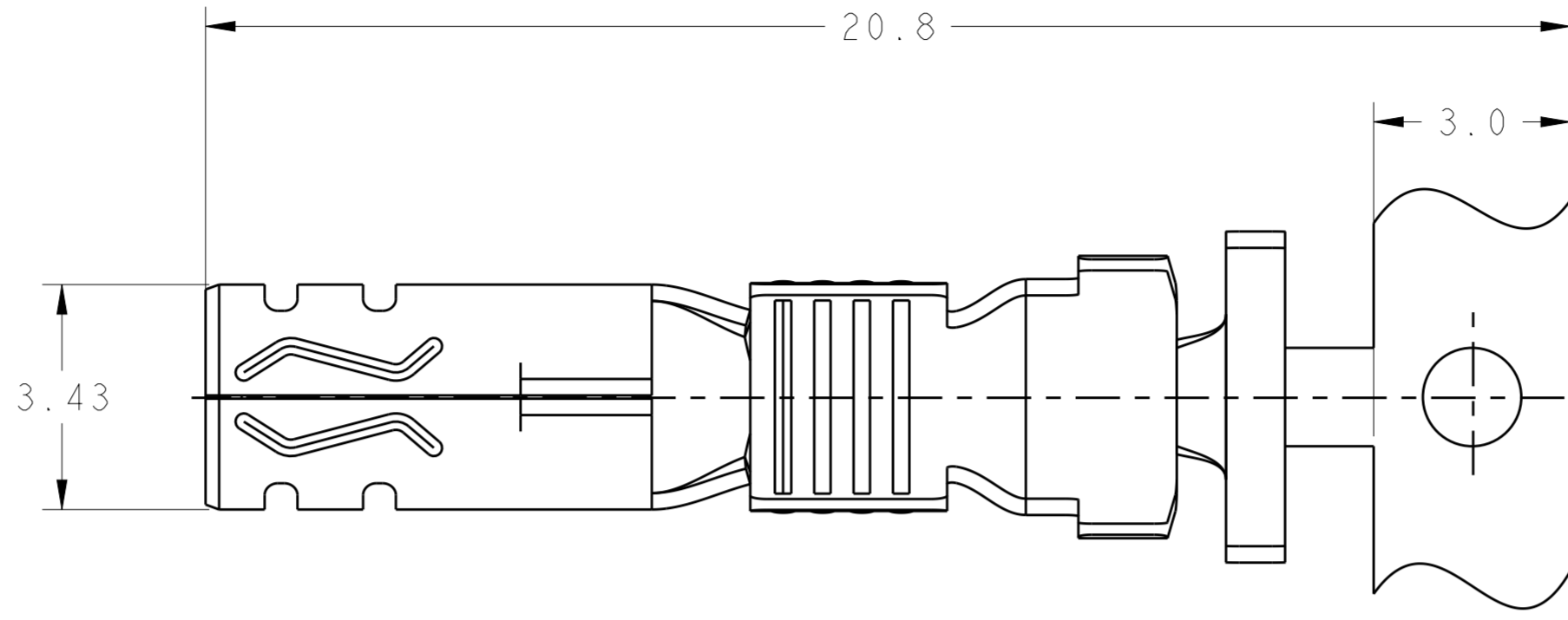
THIS DRAWING IS UNPUBLISHED. RELEASED FOR PUBLICATION 20  
 © COPYRIGHT 20 BY - ALL RIGHTS RESERVED.

LOC ES DIST 00

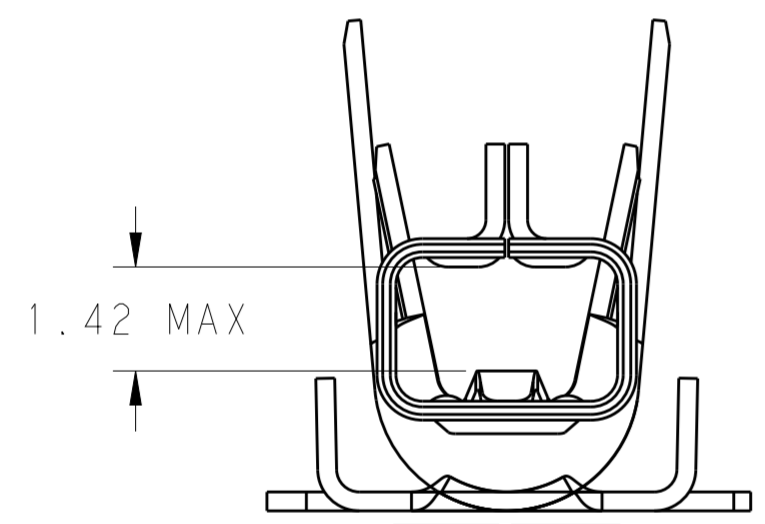
REVISIONS					
P	LTR	DESCRIPTION	DATE	DWN	APVD
E		REVISED PER ECO-18-017197	30NOV2018	RS	GJ
E1		REVISED PER ECR-20-100297	10AUG2020	PJ	VS



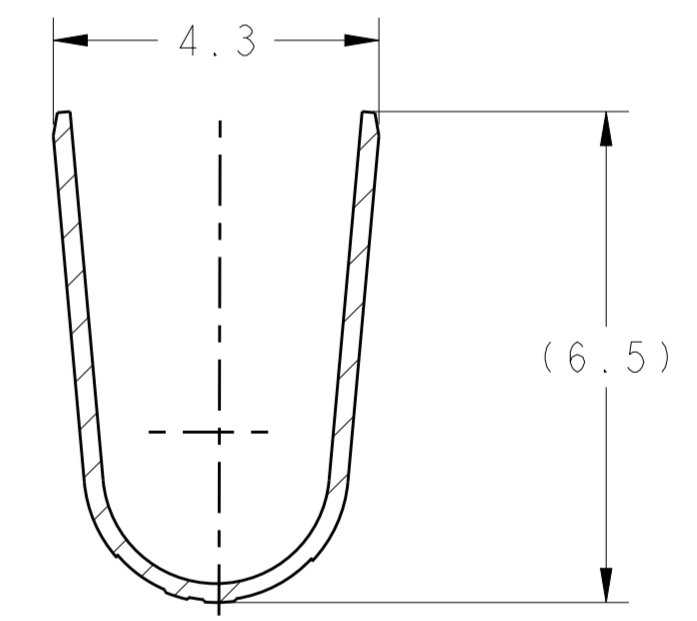
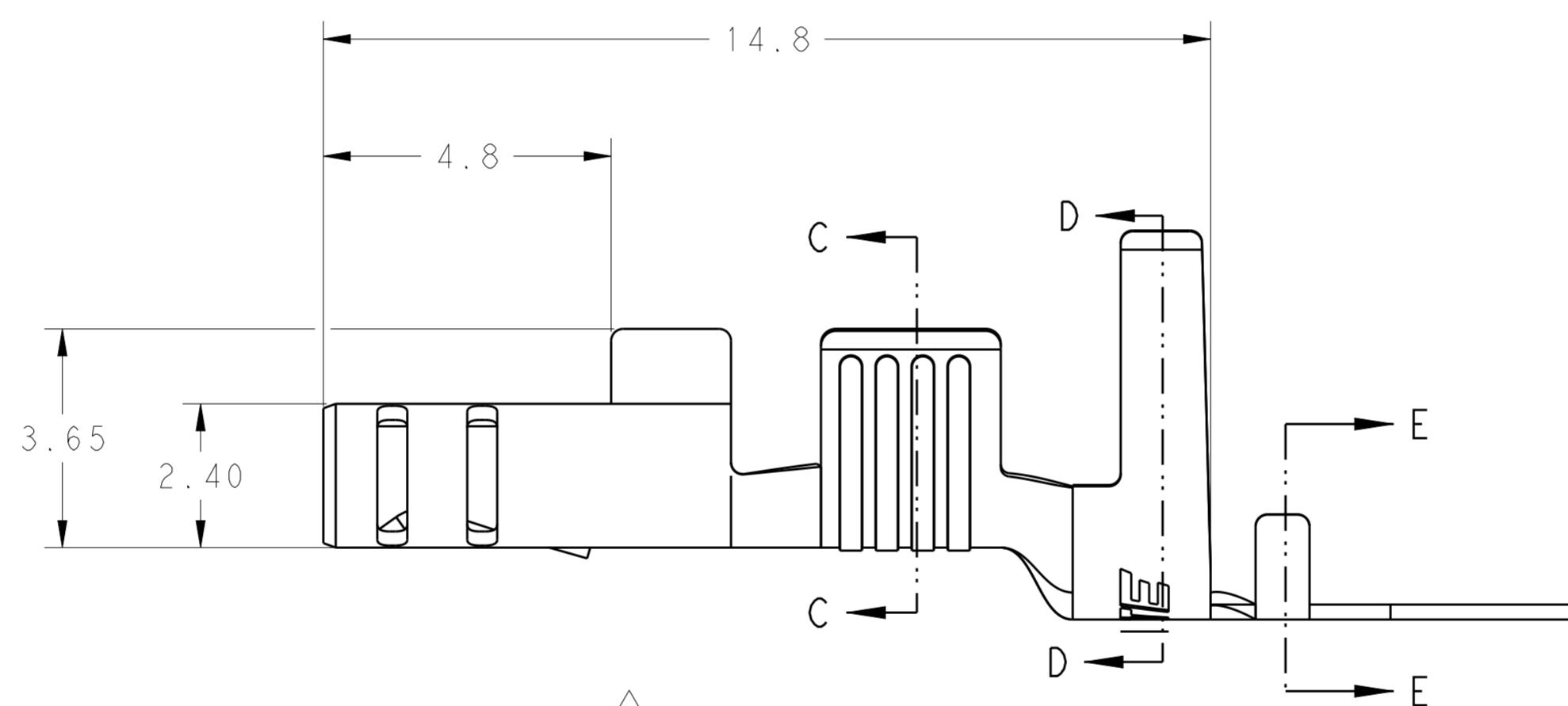
SECTION E-E



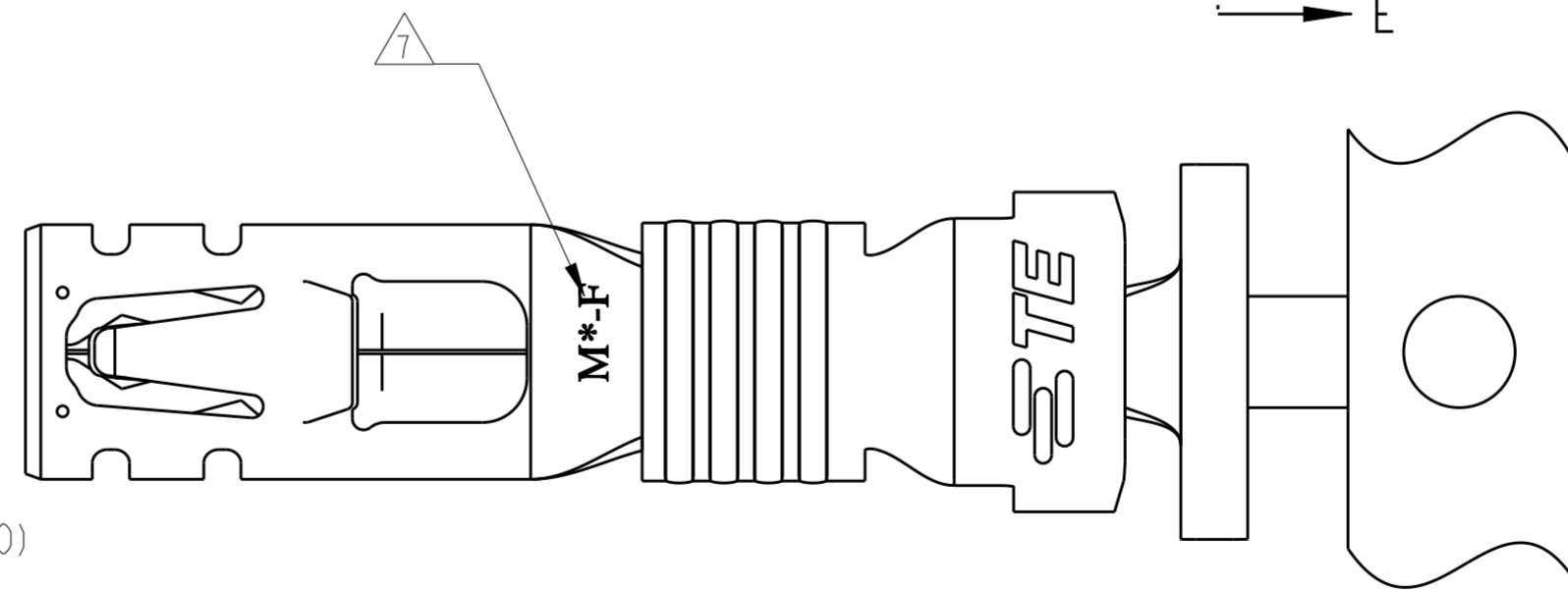
SECTION C-C



1.42 MAX



SECTION D-D



- 1 MATERIAL: COPPER ALLOY, PRE TIN PLATING.
- 2 APPLICABLE MATED PLUG HOUSING P/N:  
\*-1971773-\*/\*-1971776-\*/\*-1971876-\*/  
/\*-2232265-\*/\*-2232266-\*/\*-2232357-\*
- 3 RECOMMENDED WIRE RANGE: 2x18 AWG (TOTAL CMA 3160-3600)  
COPPER STRANDED
- 4 APPLICABLE INSULATION DIAMETER: 2.5-3.1 mm EACH WIRE
- 5 THIS PRODUCT HAS NOT COMPLETED VALIDATION TESTING.

△6 SUPERSEDED BY 1971787-2  
 △7 WIRE DESIGNATION "F"=2x18 AWG

HIGH(150°C)	M0-F	1971787-2
STANDARD(105°C)	M4	1971787-1
TEMP. RATING	MAT/SIZE MARK	△7 PART NO

THIS DRAWING IS A CONTROLLED DOCUMENT.

DIMENSIONS:	TOLERANCES UNLESS OTHERWISE SPECIFIED:	DWN TOMMY WU 11 JUL 2012	TE Connectivity
mm	0 PLC ±	CHK HAPYE WU 11 JUL 2012	
	1 PLC ±0.5	APVD YUIHONG MAO 11 JUL 2012	
	2 PLC ±0.30	PRODUCT SPEC	
	3 PLC ±	APPLICATION SPEC	108-106118
	4 PLC ±	WEIGHT	114-106118
MATERIAL	FINISH	Customer Drawing	SCALE 5:1 SHEET 1 OF 1 REV E1

## X-ON Electronics

Largest Supplier of Electrical and Electronic Components

*Click to view similar products for [Headers & Wire Housings](#) category:*

*Click to view products by [TE Connectivity](#) manufacturer:*

Other Similar products are found below :

[892-18-020-10-001101](#) [58102-G61-06LF](#) [582553-1](#) [0009485154](#) [009176003701906](#) [0050291907](#) [LY20-4P-DT1-P1E-BR](#) [02.125.8002.8](#)  
[609-3404](#) [61062-3](#) [61082-181009](#) [622-3653LF](#) [63453-116](#) [636-1030](#) [636-1427](#) [636-3427](#) [636-4007](#) [641938-9](#) [641991-4](#) [644827-2](#) [65817-010LF](#) [65817-015LF](#) [65863-015LF](#) [66207-023LF](#) [67095-007LF](#) [67601157](#) [68645-018](#) [68648-049](#) [70.362.1628.0](#) [70-4210](#) [70-4226B](#) [70-4853B](#) [707-5020](#) [707-5028](#) [71.350.2428.0](#) [71918-208LF](#) [71961-016LF](#) [733-134](#) [733-162](#) [754199-000](#) [760-3052](#) [787-8014-00](#) [79531-3000](#)  
[FCN-360C032-B](#) [FCN-367T-T012/H](#) [FCN-723D010/2](#) [80.063.4001.1](#) [800-90-001-10-001000](#) [800-90-010-10-002000](#) [801-43-002-10-013000](#)