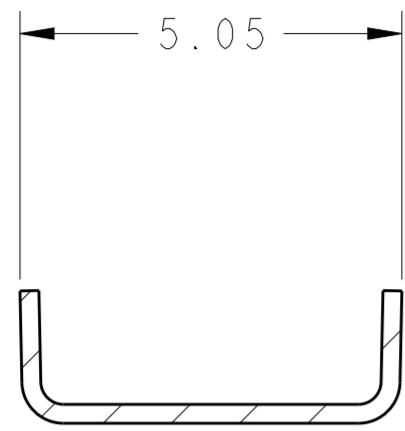


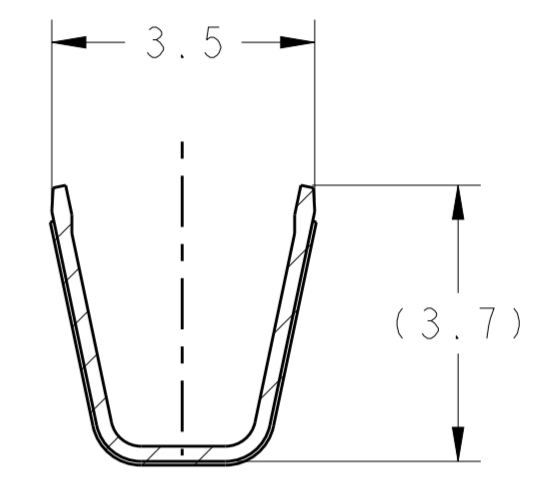
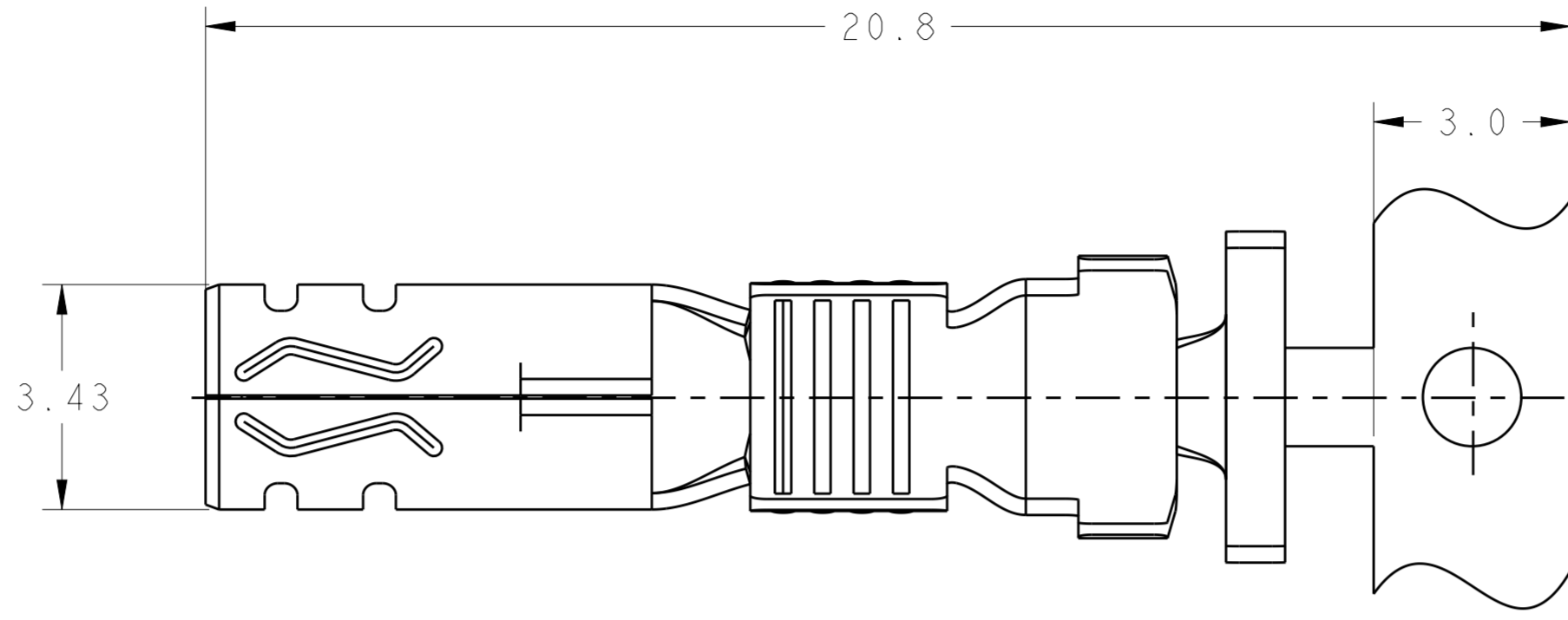
THIS DRAWING IS UNPUBLISHED. RELEASED FOR PUBLICATION 20  
 © COPYRIGHT 20 BY - ALL RIGHTS RESERVED.

LOC ES DIST 00

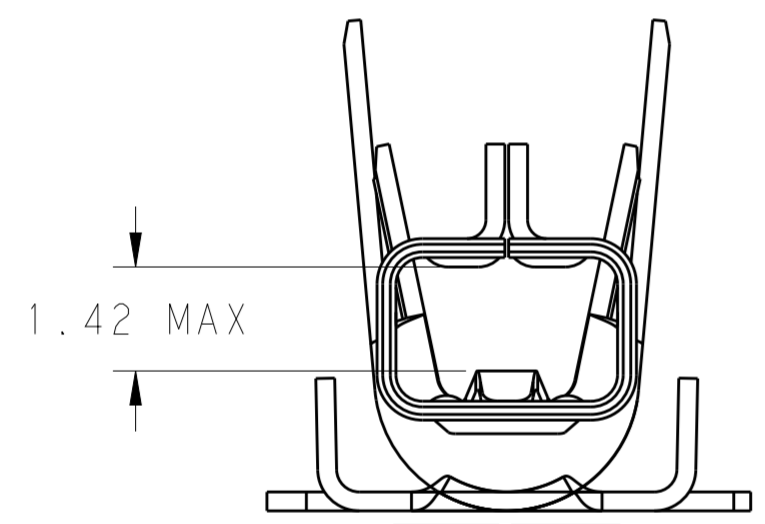
REVISIONS				
P	LTR	DESCRIPTION	DATE	APVD
E		REVISED PER ECO-18-017197	30NOV2018	RS GJ
E1		REVISED PER ECR-20-100297	10AUG2020	PJ VS



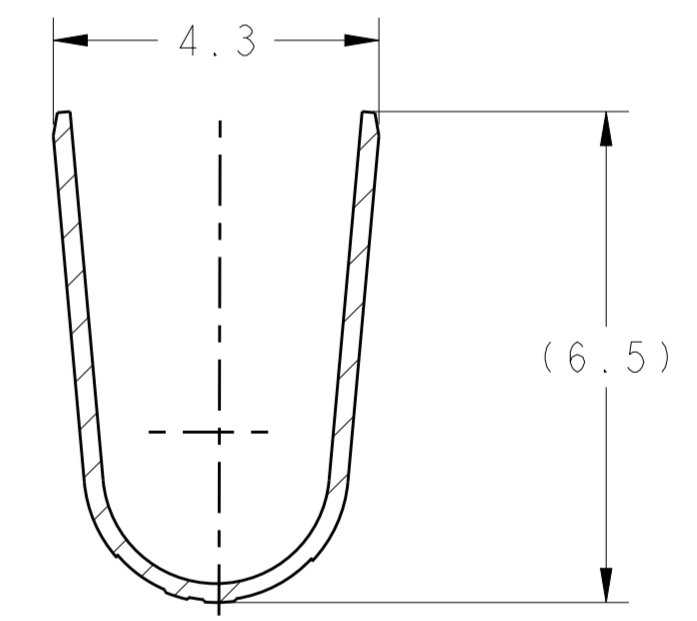
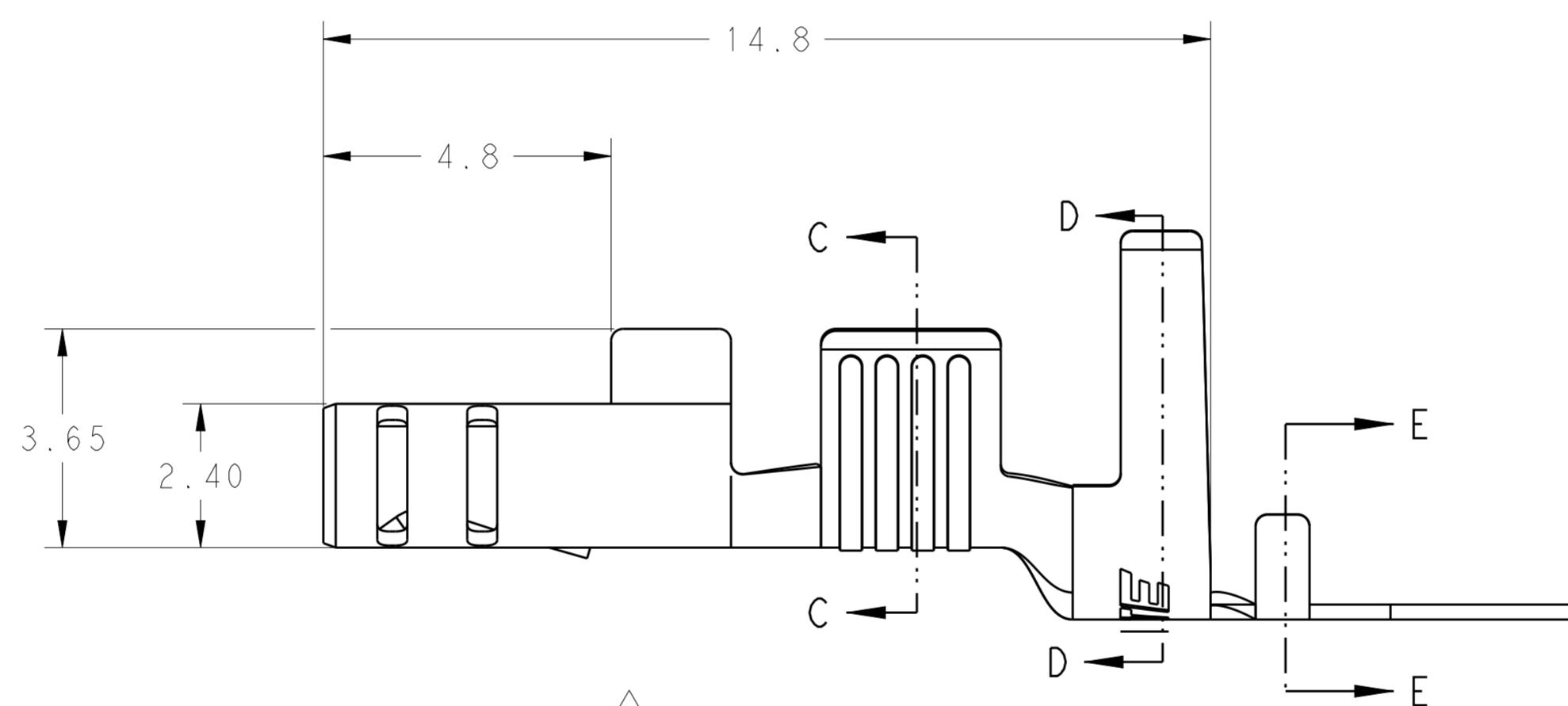
SECTION E-E



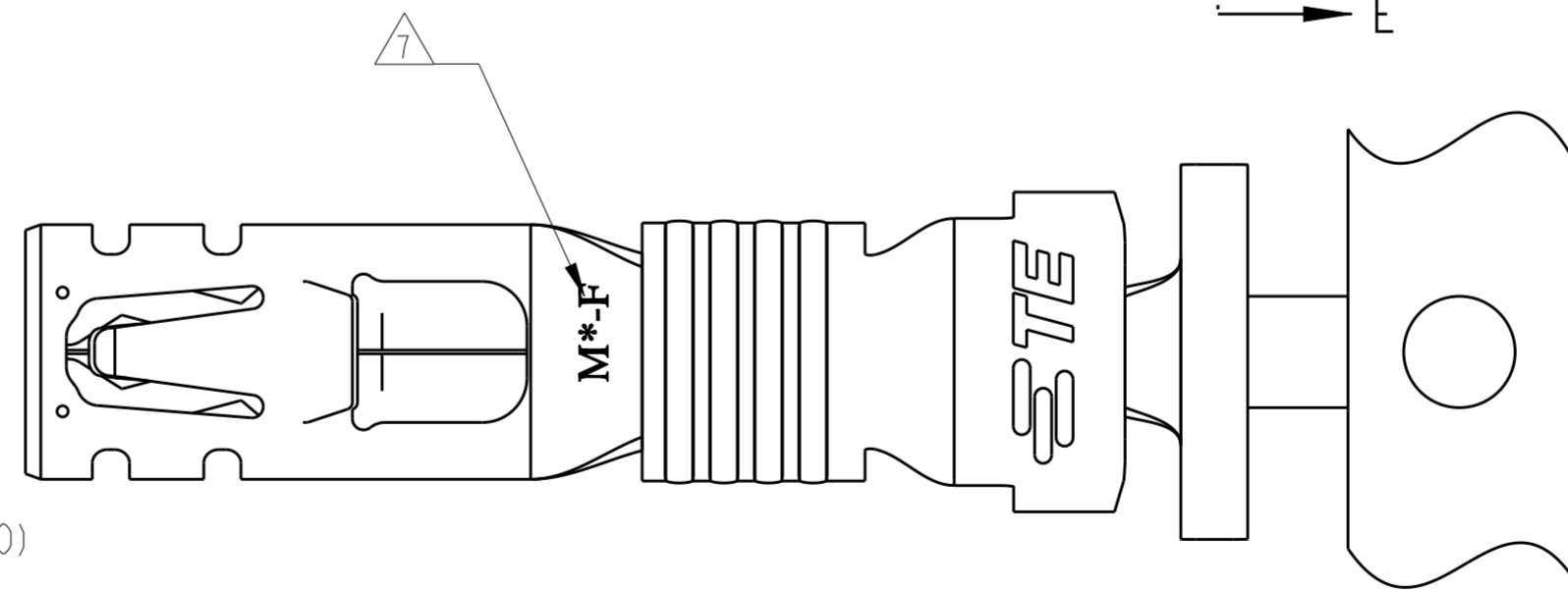
SECTION C-C



1.42 MAX



SECTION D-D



- 1 MATERIAL: COPPER ALLOY, PRE TIN PLATING.
- 2 APPLICABLE MATED PLUG HOUSING P/N:  
\*-1971773-\*/\*-1971776-\*/\*-1971876-\*/  
/\*-2232265-\*/\*-2232266-\*/\*-2232357-\*
- 3 RECOMMENDED WIRE RANGE: 2x18 AWG (TOTAL CMA 3160-3600)  
COPPER STRANDED
- 4 APPLICABLE INSULATION DIAMETER: 2.5-3.1 mm EACH WIRE
- 5 THIS PRODUCT HAS NOT COMPLETED VALIDATION TESTING.

△ 6 SUPERSEDED BY 1971787-2  
 △ 7 WIRE DESIGNATION "F"=2x18 AWG

HIGH(150°C)	M0-F	1971787-2
STANDARD(105°C)	M4	1971787-1
TEMP. RATING	MAT/SIZE MARK	△ 7 PART NO

THIS DRAWING IS A CONTROLLED DOCUMENT.

DWN TOMMY WU 11 JUL 2012	 TE Connectivity	NAME	
CHK HAPYE WU 11 JUL 2012		RECEPTACLE CONTACT	
APVD YUHHONG MAO 11 JUL 2012		POWER TRIPLE LOCK	
PRODUCT SPEC		SIZE	CAGE CODE
108-106118	A200779	C-1971787	RESTRICTED TO
APPLICATION SPEC	SCALE	SHEET	OF
114-106118	5:1	1	1
WEIGHT	Customer Drawing		REV
-	-		E1

## X-ON Electronics

Largest Supplier of Electrical and Electronic Components

*Click to view similar products for [Headers & Wire Housings](#) category:*

*Click to view products by [TE Connectivity](#) manufacturer:*

Other Similar products are found below :

[892-18-020-10-001101](#) [58102-G61-06LF](#) [582553-1](#) [0009485154](#) [009176003701906](#) [0050291907](#) [LY20-4P-DT1-P1E-BR](#) [02.125.8002.8](#)  
[609-3404](#) [61062-3](#) [61082-181009](#) [622-3653LF](#) [63453-116](#) [636-1030](#) [636-1427](#) [636-3427](#) [636-4007](#) [641938-9](#) [641991-4](#) [644827-2](#) [65817-010LF](#) [65817-015LF](#) [65863-015LF](#) [66207-023LF](#) [67095-007LF](#) [67601157](#) [68645-018](#) [68648-049](#) [70.362.1628.0](#) [70-4210](#) [70-4226B](#) [70-4853B](#) [707-5020](#) [707-5028](#) [71.350.2428.0](#) [71918-208LF](#) [71961-016LF](#) [733-134](#) [733-162](#) [754199-000](#) [760-3052](#) [787-8014-00](#) [79531-3000](#)  
[FCN-360C032-B](#) [FCN-367T-T012/H](#) [FCN-723D010/2](#) [80.063.4001.1](#) [800-90-001-10-001000](#) [800-90-010-10-002000](#) [801-43-002-10-013000](#)