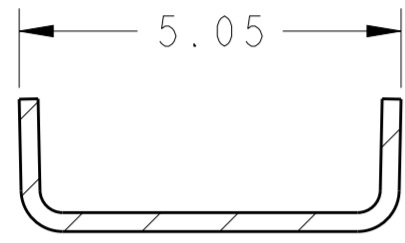
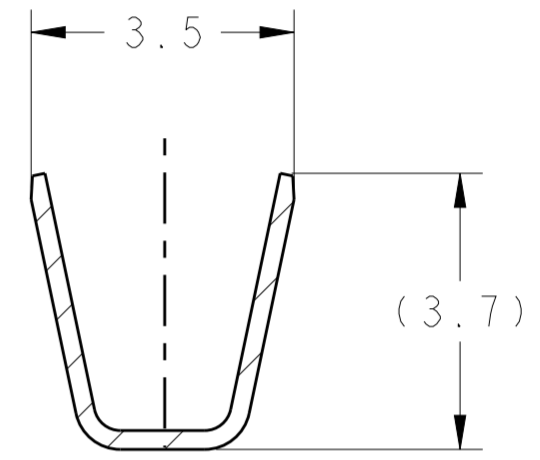
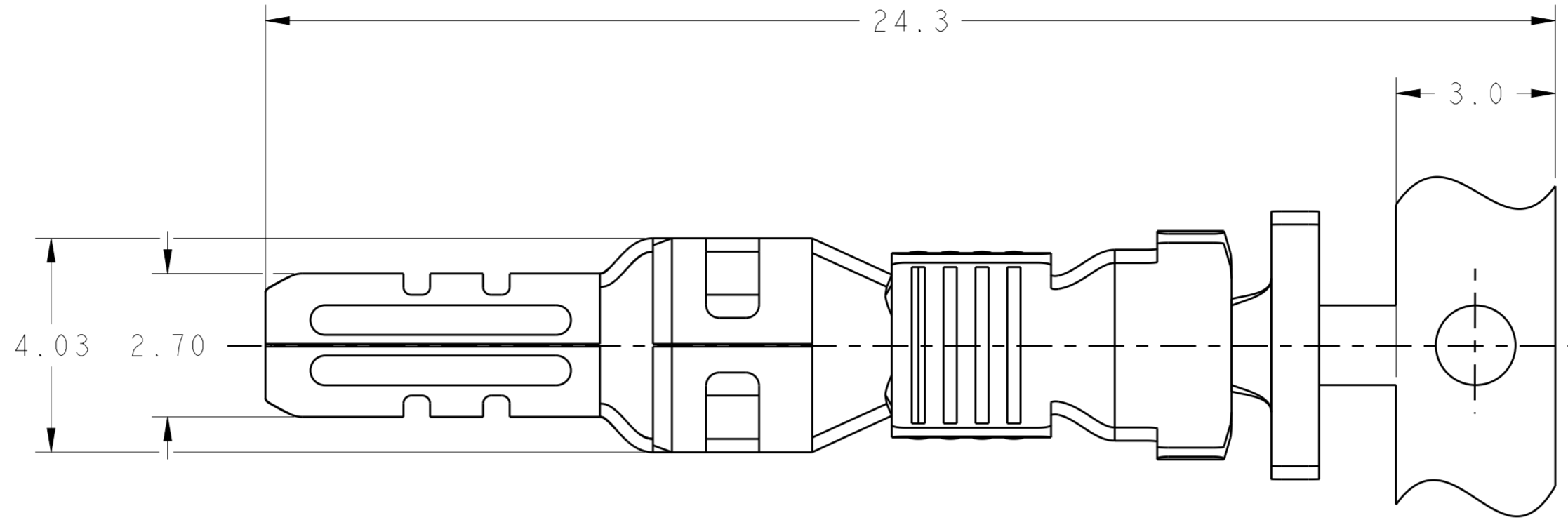


THIS DRAWING IS UNPUBLISHED. RELEASED FOR PUBLICATION 20
 © COPYRIGHT 20 BY - ALL RIGHTS RESERVED.

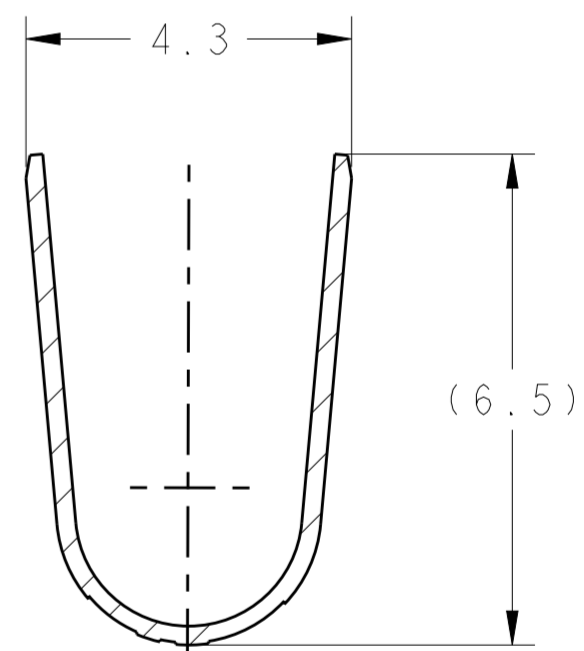
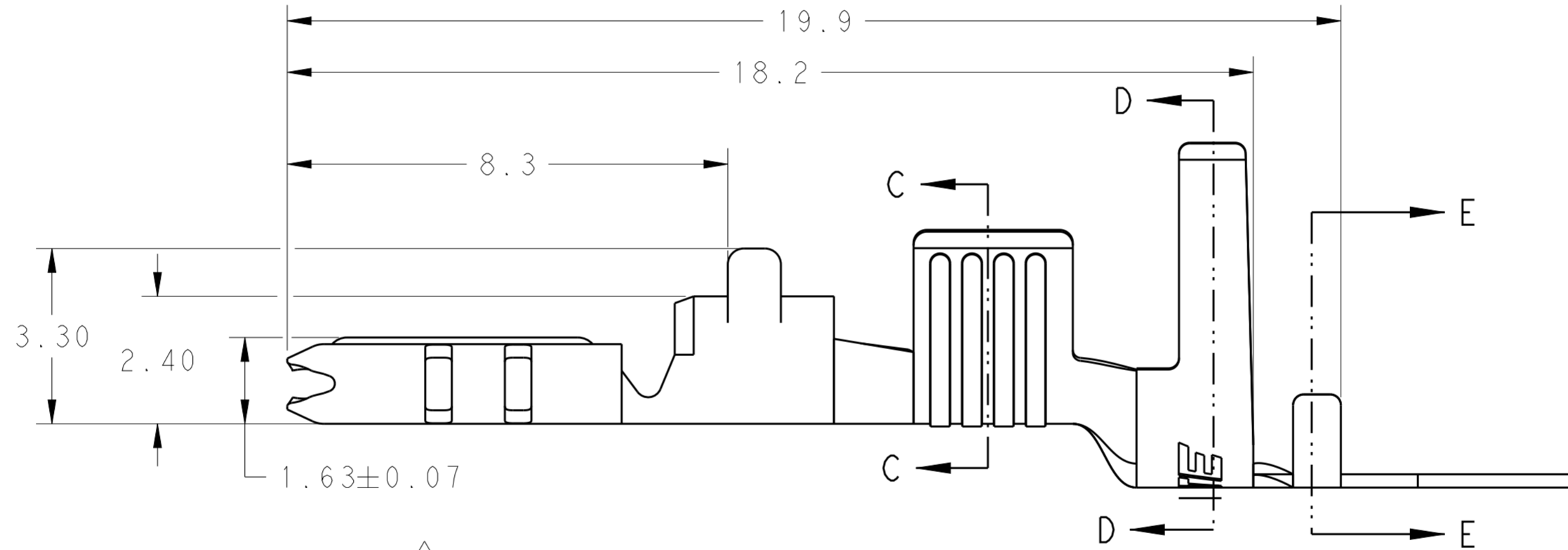
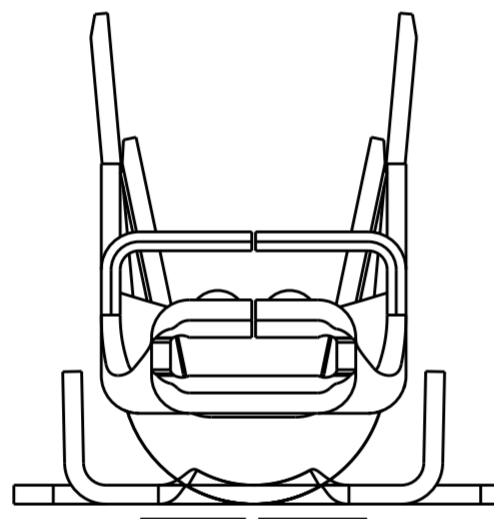
LOC	DIST	REVISIONS			
P	LTR	DESCRIPTION	DATE	DWN	APVD
ES	00				
	D2	REVISED PER ECR-16-017426	19DEC2016	BW	RS
	E	REVISED PER ECR-18-003963	05SEP2018	BKW	GJ
	E1	REVISED PER ECR-18-015112	01OCT2018	BDA	GJ
	E2	REVISED PER ECR-20-100297	10AUG2020	PJ	VS



SECTION E-E

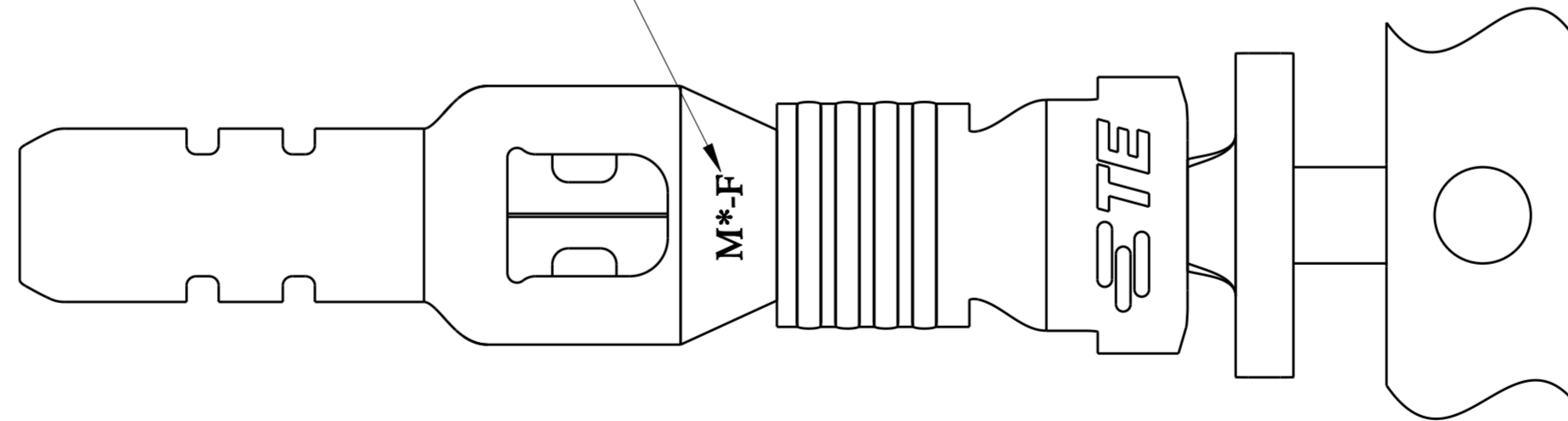


SECTION C-C



SECTION D-D

5 MATERIAL/SIZE MARK



- 1 MATERIAL: COPPER ALLOY, PRE TIN PLATING
- 2 RECOMMENDED WIRE RANGE: 2x18 AWG (TOTAL CMA 3160 ~ 3600) COPPER STRANDED
- 3 APPLICABLE INSULATION DIAMETER: 2.5 ~ 3.1 mm EACH WIRE
- 4 APPLICABLE MATED CAP HOUSING P/N:
 -1971772-/*-1971775-*/*-1971875-*/
 -2232263-/*-2232264-*/*-2232356-*

5 WIRE SIZE INDICATOR "F" = 2x18 AWG

6. This product has not completed validation testing.

SUPERCEDED BY 1971788-2

HIGH(150°C)	M0-F	1971788-2
STANDARD(105°C)	M4	1971788-1
TEMP. RATING	MATERIAL/SIZE MARK 5	PART NO

THIS DRAWING IS A CONTROLLED DOCUMENT.		DWN TOMMY WU 11JUL2012	STE TE Connectivity	
DIMENSIONS: mm		CHK HAPYE WU 11JUL2012		
TOLERANCES UNLESS OTHERWISE SPECIFIED:		APVD YUHHONG MAO 11JUL2012	NAME	
0 PLC	±	PRODUCT SPEC	TAB CONTACT POWER TRIPLE LOCK	
1 PLC	±0.5	APPLICATION SPEC	-	
2 PLC	±0.30	SIZE	CAGE CODE	DRAWING NO
3 PLC	±	114-106118	A2100779	C-1971788
4 PLC	±	WEIGHT	RESTRICTED TO	
ANGLES	±	-	-	
FINISH	±	-	-	
MATERIAL		Customer Drawing		SCALE 5:1
				SHEET 1 OF 1
				REV E2

X-ON Electronics

Largest Supplier of Electrical and Electronic Components

Click to view similar products for [Headers & Wire Housings](#) category:

Click to view products by [TE Connectivity](#) manufacturer:

Other Similar products are found below :

[892-18-020-10-001101](#) [58102-G61-06LF](#) [582553-1](#) [0009485154](#) [009176003701906](#) [0050291907](#) [LY20-4P-DT1-P1E-BR](#) [02.125.8002.8](#)
[609-3404](#) [61062-3](#) [61082-181009](#) [622-3653LF](#) [63453-116](#) [636-1030](#) [636-1427](#) [636-3427](#) [636-4007](#) [641938-9](#) [641991-4](#) [644827-2](#) [65817-](#)
[010LF](#) [65817-015LF](#) [65863-015LF](#) [66207-023LF](#) [67095-007LF](#) [67601157](#) [68645-018](#) [68648-049](#) [70.362.1628.0](#) [70-4210](#) [70-4226B](#) [70-](#)
[4853B](#) [707-5020](#) [707-5028](#) [71.350.2428.0](#) [71918-208LF](#) [71961-016LF](#) [733-134](#) [733-162](#) [754199-000](#) [760-3052](#) [787-8014-00](#) [79531-3000](#)
[FCN-360C032-B](#) [FCN-367T-T012/H](#) [FCN-723D010/2](#) [80.063.4001.1](#) [800-90-001-10-001000](#) [800-90-010-10-002000](#) [801-43-002-10-013000](#)