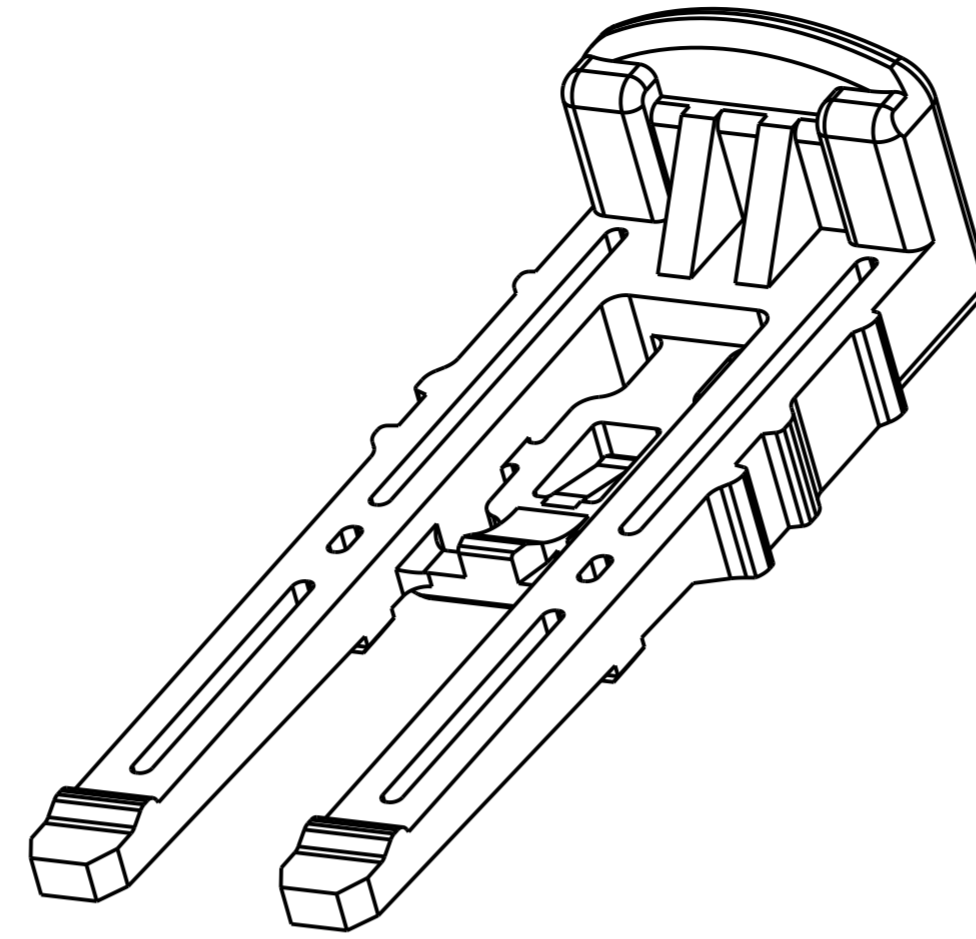
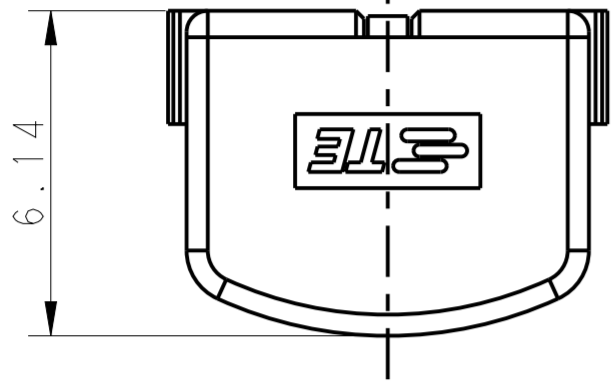
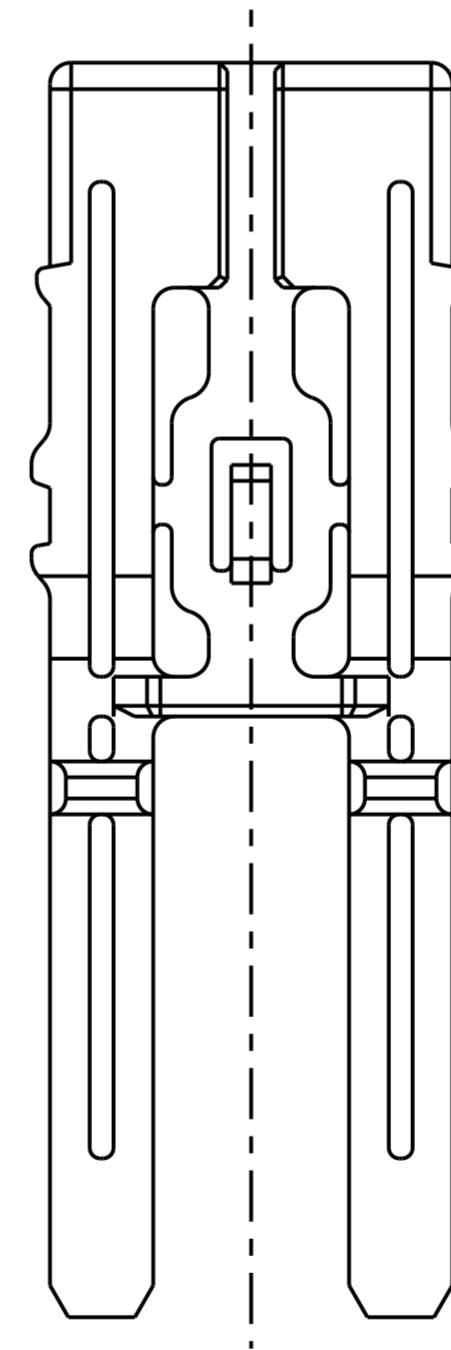
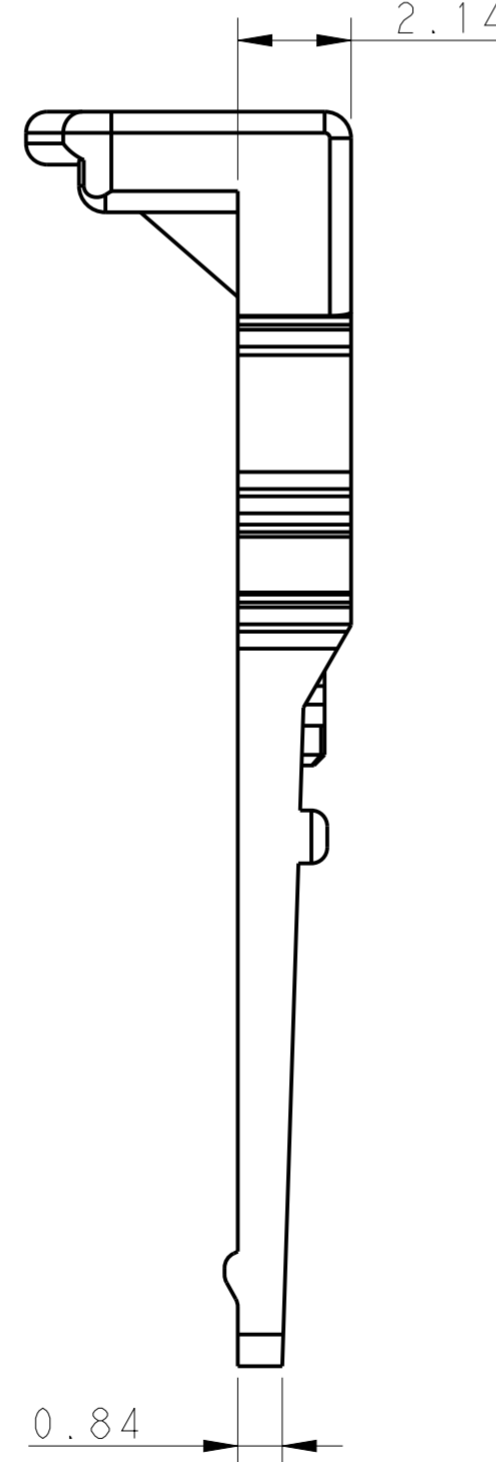
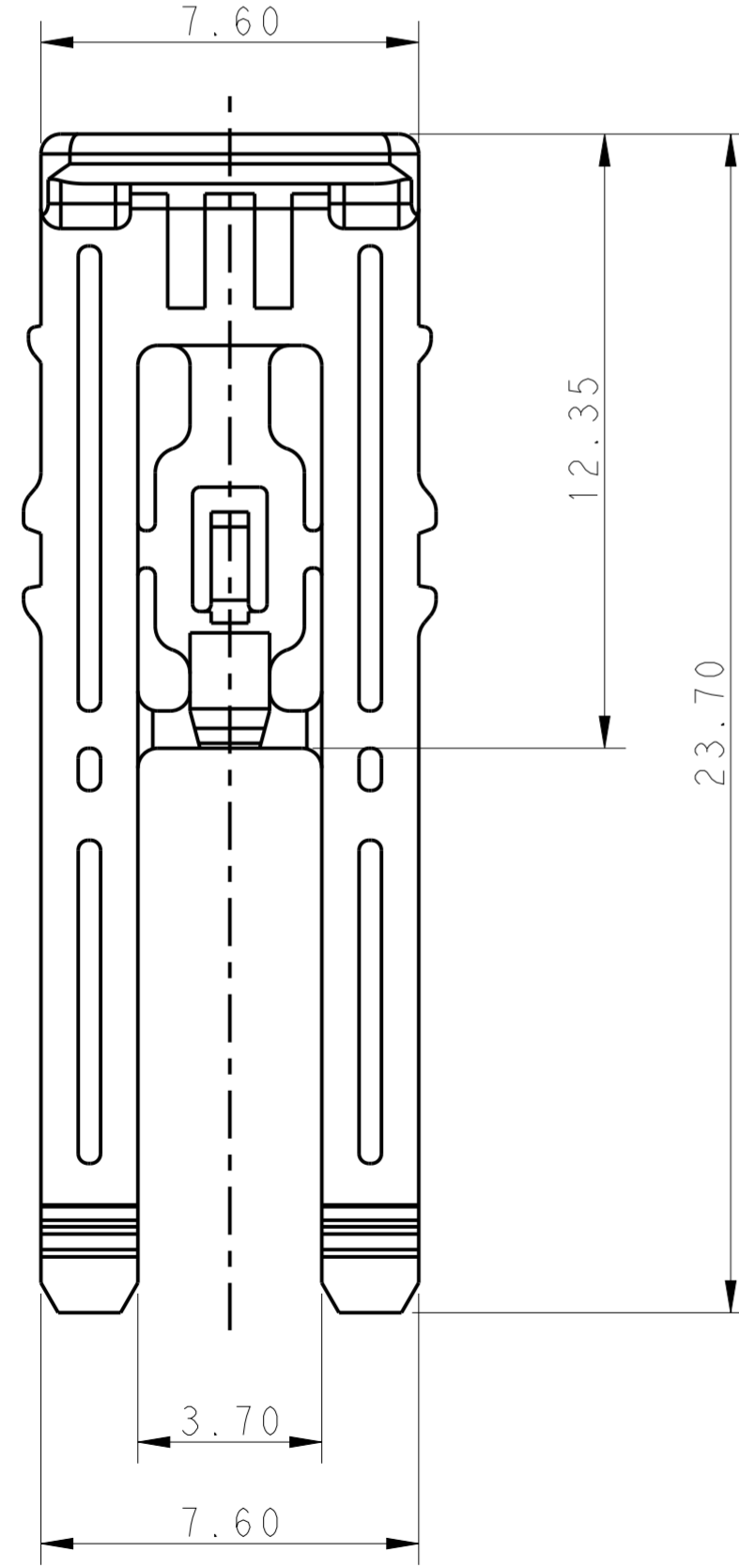


THIS DRAWING IS UNPUBLISHED. RELEASED FOR PUBLICATION 20
 © COPYRIGHT BY ALL RIGHTS RESERVED.

LOC	DIST	REVISIONS					
ES	00	P	LTR	DESCRIPTION	DATE	DWN	APVD
			C	REVISED PER ECR-21-100678	08APR2021	SS	VS



- 1 MATERIAL:
LEVEL 2: NYLON (PA66), HIGH TEMPERATURE 150°C
- 2 PRODUCT SPEC:108-106118, 108-106147
- 3 APPLICATION SPEC:114-106118, 114-106147
- 4 APPLICABLE MATED PLUG HOUSING P/N:
-1971773-/*-1971776-*/*-1971876-*/
-2232265-/*-2232266-*/*-2232357-*/*-2232362-*
- 5 FLAMMABILITY RATED UL94 V-0



RED	LEVEL 2	1971789-1
COLOR	MATERIAL	P/N

THIS DRAWING IS A CONTROLLED DOCUMENT.		DWN TOMMY WU 11JUL2012
DIMENSIONS: mm		CHK HAPYE WU 11JUL2012
TOLERANCES UNLESS OTHERWISE SPECIFIED:		APVD YUHONG MAO 11JUL2012
0 PLC	±	NAME
1 PLC	±0.35	PRODUCT SPEC
2 PLC	±0.25	APPLICATION SPEC
3 PLC	±	WEIGHT
4 PLC	±	Customer Drawing
ANGLES	±	SCALE 7:1
FINISH	±	SHEET 1 OF 1

STE TE Connectivity

CONNECTOR POSITION ASSURANCE(CPA)
POWER TRIPLE LOCK

SIZE A2 CAGE CODE 00779 DRAWING NO. C-1971789 RESTRICTED TO -

REV C

X-ON Electronics

Largest Supplier of Electrical and Electronic Components

Click to view similar products for [Headers & Wire Housings](#) category:

Click to view products by [TE Connectivity](#) manufacturer:

Other Similar products are found below :

[892-18-020-10-001101](#) [58102-G61-06LF](#) [582553-1](#) [0009485154](#) [009176003701906](#) [0050291907](#) [LY20-4P-DT1-P1E-BR](#) [02.125.8002.8](#)
[609-3404](#) [61062-3](#) [61082-181009](#) [622-3653LF](#) [63453-116](#) [636-1030](#) [636-1427](#) [636-3427](#) [636-4007](#) [641938-9](#) [641991-4](#) [644827-2](#) [65817-](#)
[010LF](#) [65817-015LF](#) [65863-015LF](#) [66207-023LF](#) [67095-007LF](#) [67601157](#) [68645-018](#) [68648-049](#) [70.362.1628.0](#) [70-4210](#) [70-4226B](#) [70-](#)
[4853B](#) [707-5020](#) [707-5028](#) [71.350.2428.0](#) [71918-208LF](#) [71961-016LF](#) [733-134](#) [733-162](#) [754199-000](#) [760-3052](#) [787-8014-00](#) [79531-3000](#)
[FCN-360C032-B](#) [FCN-367T-T012/H](#) [FCN-723D010/2](#) [80.063.4001.1](#) [800-90-001-10-001000](#) [800-90-010-10-002000](#) [801-43-002-10-013000](#)