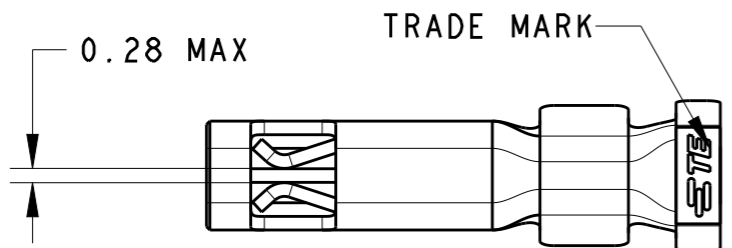
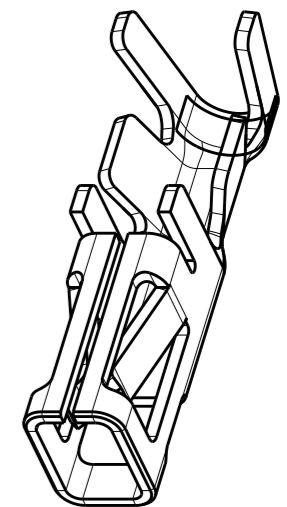
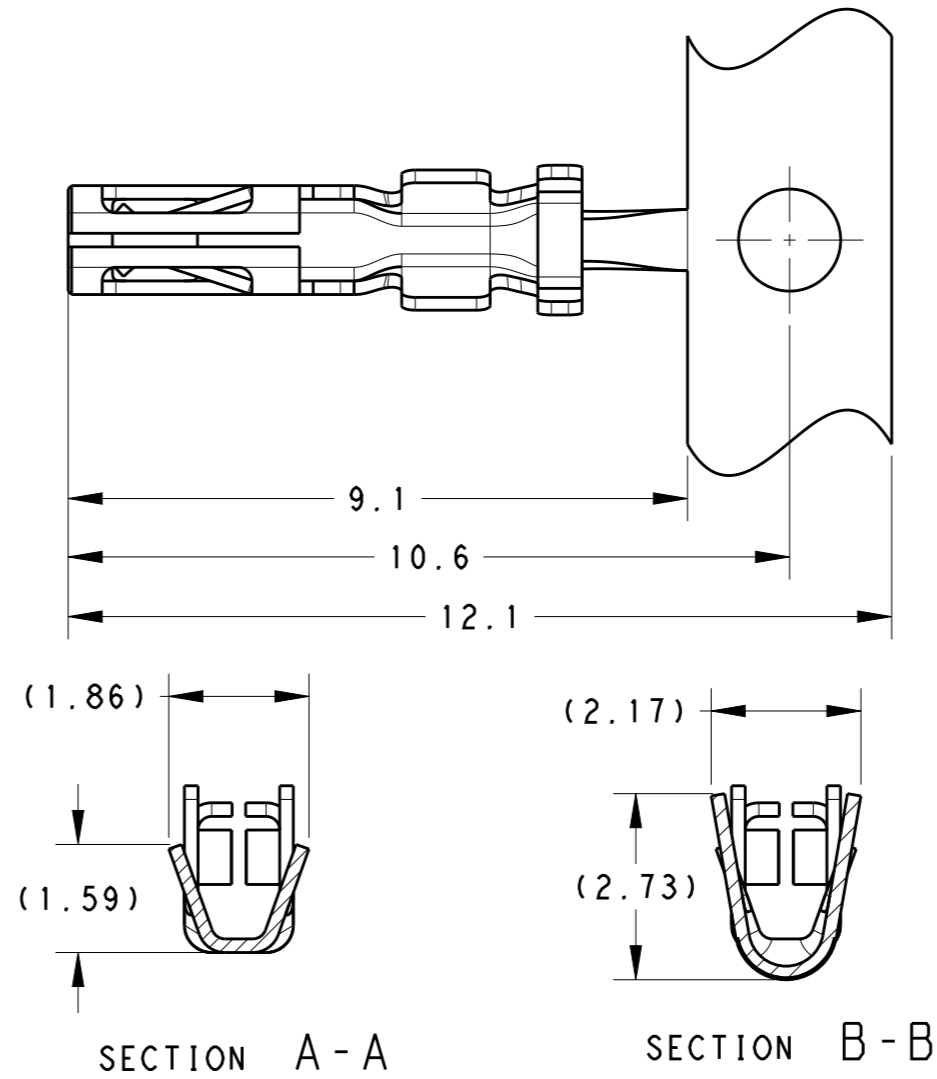
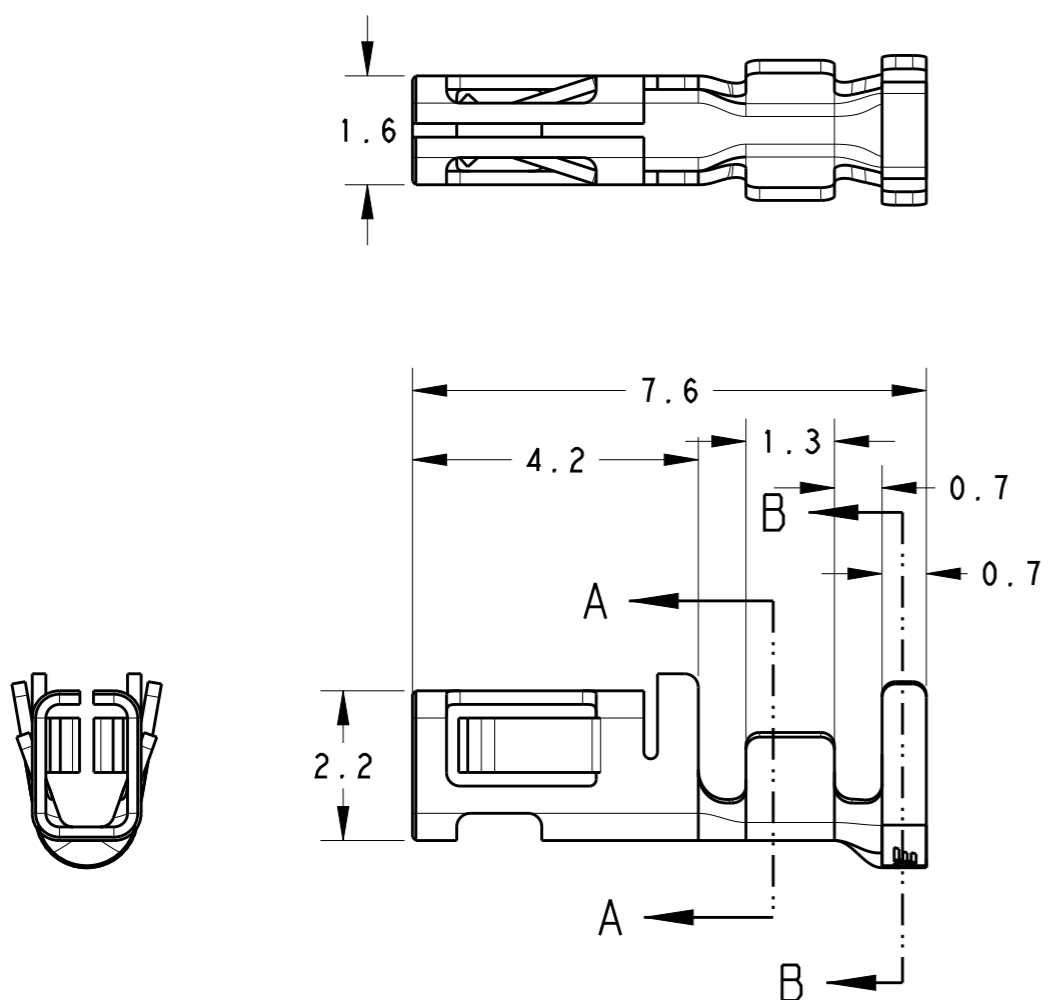


THIS DRAWING IS UNPUBLISHED. RELEASED FOR PUBLICATION
 © COPYRIGHT BY - TE CONNECTIVITY ALL RIGHTS RESERVED.

LOC	DIST	REVISIONS			
P	LTR	DESCRIPTION	DATE	DWN	APVD
-	-	A4	REVISED PER ECR-20-100273	13AUG2020	C.X D.Z



1. APPLICABLE PLUG HOUSING P/N: X-1971793-X

AWG#22~#28 0.079~0.38MM^2	1.08~1.50	PRE-TIN COPPER ALLOY	7	1971795-1
WIRE RANGE	INSULATION DIA	MATERIAL	APPL FEED	PART NO.

THIS DRAWING IS A CONTROLLED DOCUMENT.		DWN FEB 21, 2012 HAI JUN ZHANG	TE Connectivity	
DIMENSIONS: mm		CHK FEB 21, 2012 HAI JUN ZHANG		
TOLERANCES UNLESS OTHERWISE SPECIFIED:		APVD FEB 23, 2012 ERIC KONG	NAME RECEPTACLE CONTACT, 2.5 PITCH NEXT GENERATION GI CONNECTOR	
0 PLC ±0.3		PRODUCT SPEC 108-106077	RESTRICTED TO	
1 PLC ±0.1		APPLICATION SPEC 114-106077	SIZE A3	CAGE CODE -
2 PLC ±0.1		WEIGHT 0.056g	DRAWING NO C-1971795	
3 PLC ±0.1		CUSTOMER DRAWING	SCALE 9:1	SHEET 1 OF 1
4 PLC ±0.1			REV A4	
ANGLES ±0.1				
FINISH -				

X-ON Electronics

Largest Supplier of Electrical and Electronic Components

Click to view similar products for [Headers & Wire Housings](#) category:

Click to view products by [TE Connectivity](#) manufacturer:

Other Similar products are found below :

[892-18-020-10-001101](#) [58102-G61-06LF](#) [582553-1](#) [0009485154](#) [009176003701906](#) [0050291907](#) [LY20-4P-DT1-P1E-BR](#) [02.125.8002.8](#)
[609-3404](#) [61062-3](#) [61082-181009](#) [622-3653LF](#) [63453-116](#) [636-1030](#) [636-1427](#) [636-3427](#) [636-4007](#) [641938-9](#) [641991-4](#) [644827-2](#) [65817-010LF](#) [65817-015LF](#) [65863-015LF](#) [66207-023LF](#) [67095-007LF](#) [67601157](#) [68645-018](#) [68648-049](#) [70.362.1628.0](#) [70-4210](#) [70-4226B](#) [70-4853B](#) [707-5020](#) [707-5028](#) [71.350.2428.0](#) [71918-208LF](#) [71961-016LF](#) [733-134](#) [733-162](#) [754199-000](#) [760-3052](#) [787-8014-00](#) [79531-3000](#)
[FCN-360C032-B](#) [FCN-367T-T012/H](#) [FCN-723D010/2](#) [80.063.4001.1](#) [800-90-001-10-001000](#) [800-90-010-10-002000](#) [801-43-002-10-013000](#)