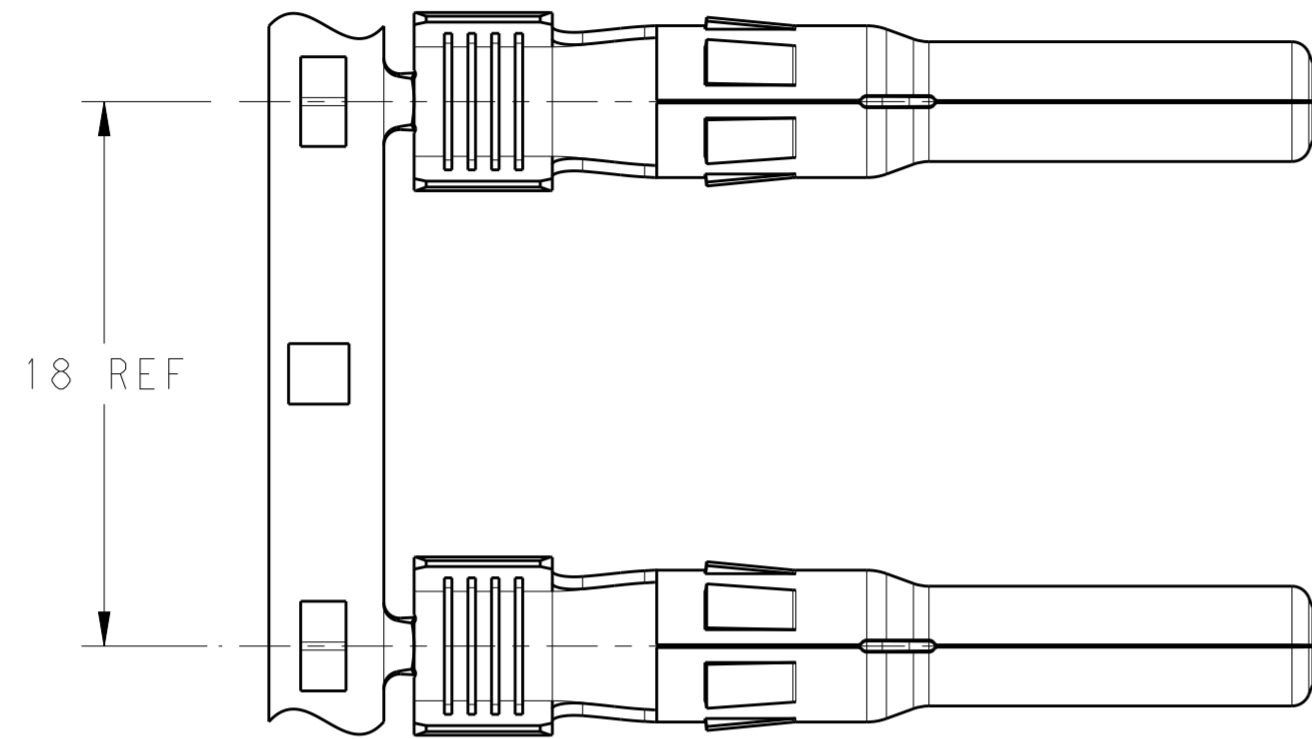
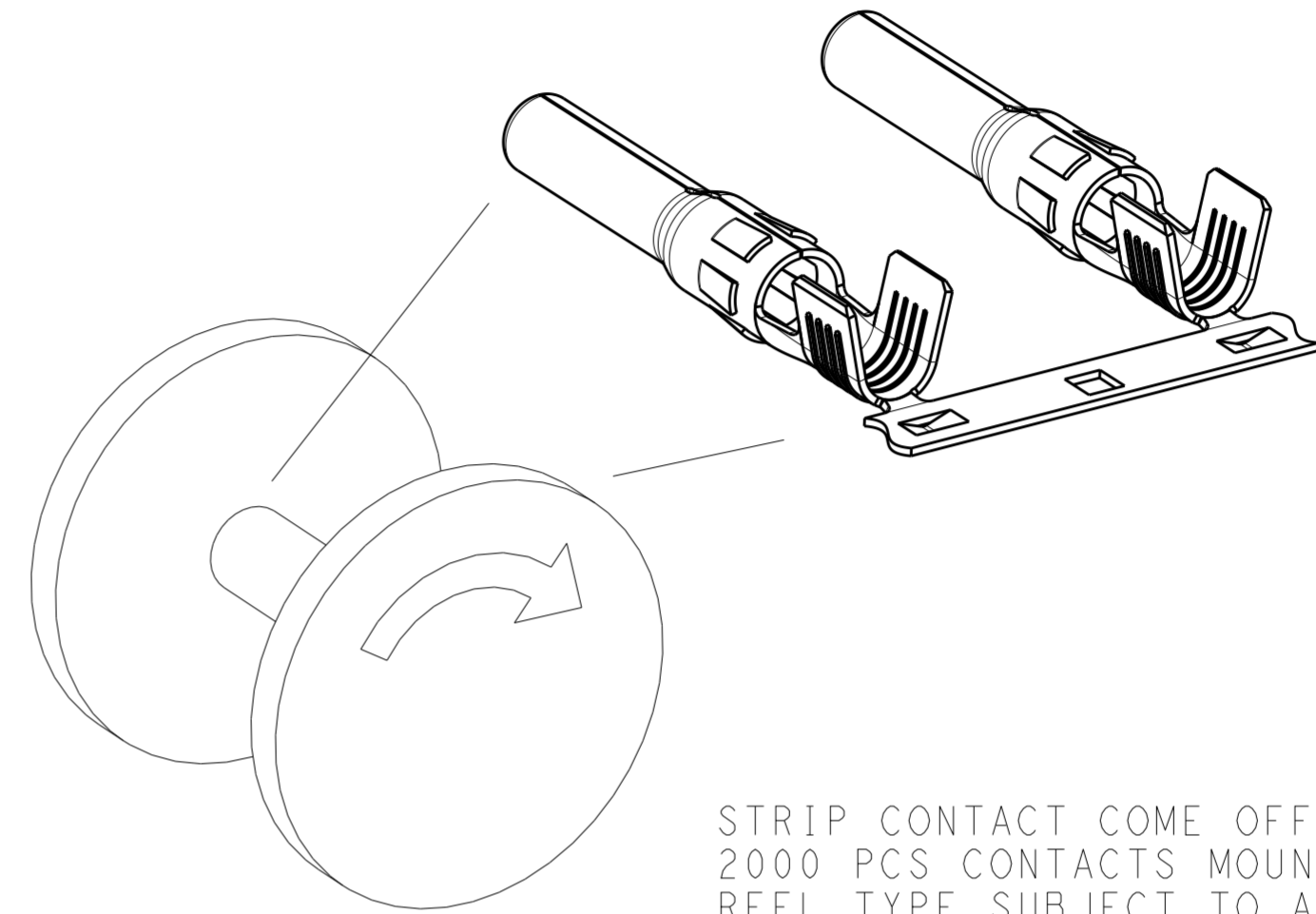


THIS DRAWING IS UNPUBLISHED. RELEASED FOR PUBLICATION 20
 © COPYRIGHT 20 TE CONNECTIVITY ALL RIGHTS RESERVED.

LOC	DIST	REVISIONS			
P	LTR	DESCRIPTION	DATE	DWN	APVD
-	-	A	RELEASED	10SEP2012	CW PY
		A1	ECR-12-016601	18OCT2012	CW PY

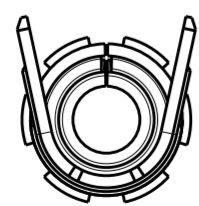
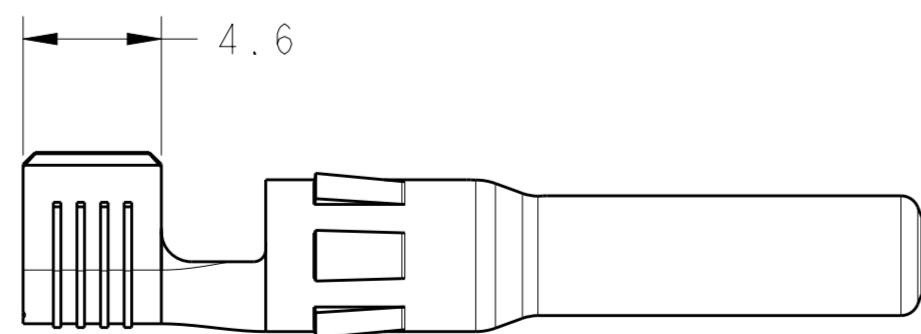
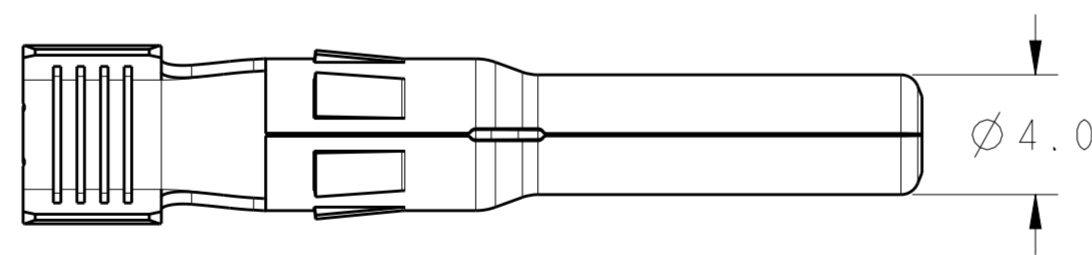


STRIP
-2 AS SHOWN



STRIP CONTACT COME OFF TO ASSEMBLY
 2000 PCS CONTACTS MOUNTED REEL
 REEL TYPE SUBJECT TO ALTERNATION

- 1. MATERIAL: COPPER ALLOY, TIN PLATED
- 2. USED FOR SOLAR CABLE: 4mm²/12AWG, 6mm²/10AWG



LOOSE PIECE
-3 AS SHOWN

LOOSE PIECE	1971857-4	100
LOOSE PIECE	1971857-3	1000
STRIP	1971857-2	2000
CONTACT TYPE	PART NUMBER	PACKING UNIT
	FOR ORDER	

THIS DRAWING IS A CONTROLLED DOCUMENT.

DIMENSIONS:	TOLERANCES UNLESS OTHERWISE SPECIFIED:	DWN 09AUG2012	TE Connectivity
mm	0 PLC ±0.5	CHK 09AUG2012	OBSELETE
	1 PLC ±0.3	ANDY TANG	
	2 PLC ±-	APVD 09AUG2012	PIN CONTACT
	3 PLC ±-	PETER YIN	SOLARLOK PV4 CONNECTOR
	4 PLC ±-	NAME	RESTRICTED TO
	ANGLES ±-	PRODUCT SPEC	SIZE CAGE CODE DRAWING NO
	FINISH ±-	108-106078	A20079G-191857
MATERIAL		APPLICATION SPEC	SCALE 4:1 SHEET 1 OF 1 REV A1
COPPER ALLOY	TIN	114-106078	
		WEIGHT	
		CUSTOMER DRAWING	

NOT the LATEST REVISION

X-ON Electronics

Largest Supplier of Electrical and Electronic Components

Click to view similar products for [Solar Connectors](#) / [Photovoltaic Connectors](#) category:

Click to view products by [TE Connectivity](#) manufacturer:

Other Similar products are found below :

[1740699-7](#) [1971861-4](#) [1971131-4](#) [1971858-3](#) [1971861-3](#) [PV-090508-F03](#) [PV-090508-M10](#) [PV-090510-F03](#) [PV-CM-S 2 5-6 \(-\)](#) [2270184-3](#)
[2270154-2](#) [2270226-4](#) [PV-090508-M06-N](#) [1987558-2](#) [PV-090506-F03](#) [UTXPM](#) [UTXPF](#) [UTXCMB6AM](#) [1627092](#) [1017635](#) [1017636](#) [1-](#)
[2306314-1](#) [1-2306314-2](#) [1302440201](#) [2-1971862-2](#) [H4CMC6DM](#) [1705996](#) [1705995](#) [1971858-2](#) [5-2306317-2](#) [1704926](#) [H4CFC4DIS](#)
[H4CMC4DC](#) [H4CFC4DC](#) [H4CMC4DM](#) [H4CFC4DM](#) [H4CFC6DM](#) [H4CFM2DI](#) [H4CFM6DI](#) [H4CMC2DI](#) [H4CMC8DM](#) [H4CMM6DI](#)
[H4CMC4DMS](#) [H4CMC4DIS](#) [H4PF](#) [H4PM](#) [PWJ-03BMMB-LL8001](#) [UTXCFA0AM](#) [UTXCFA4BMH](#) [UTXCMA0AM](#)