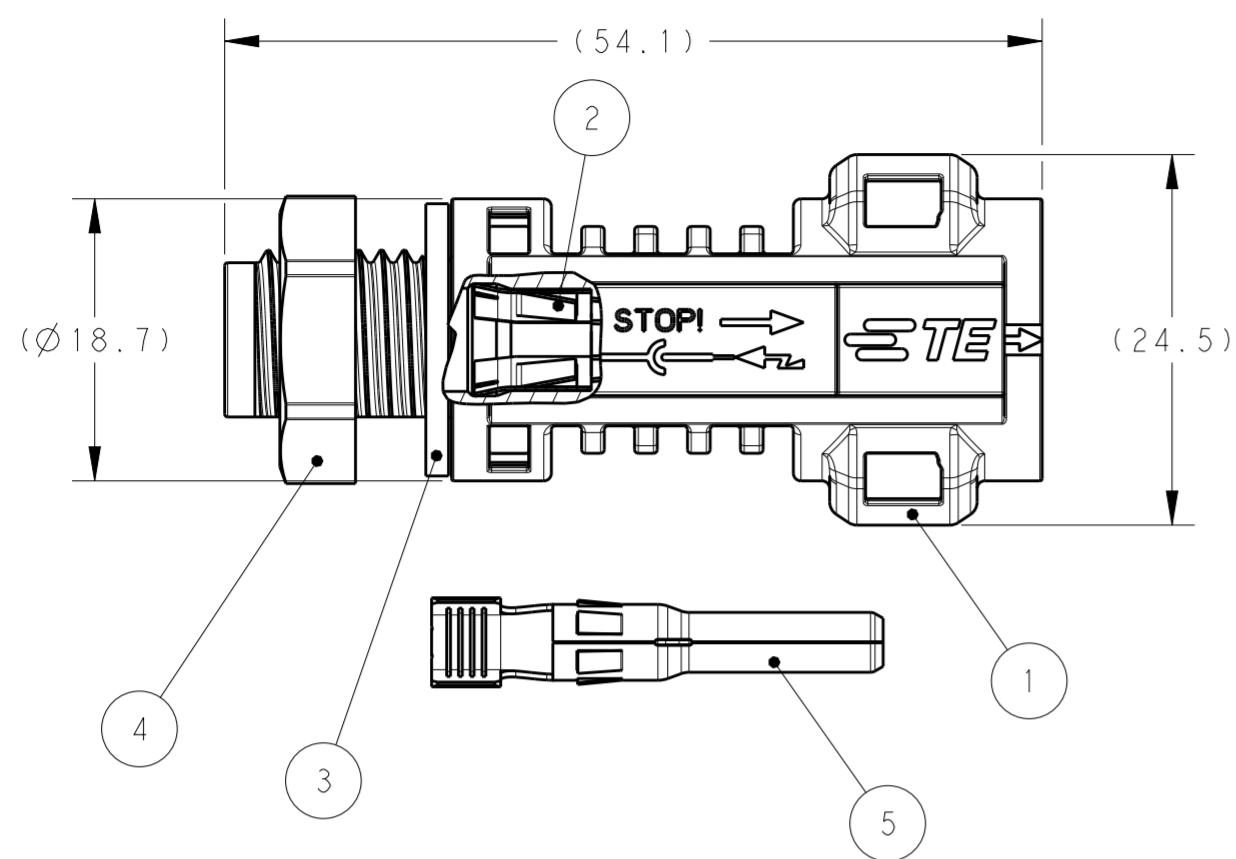
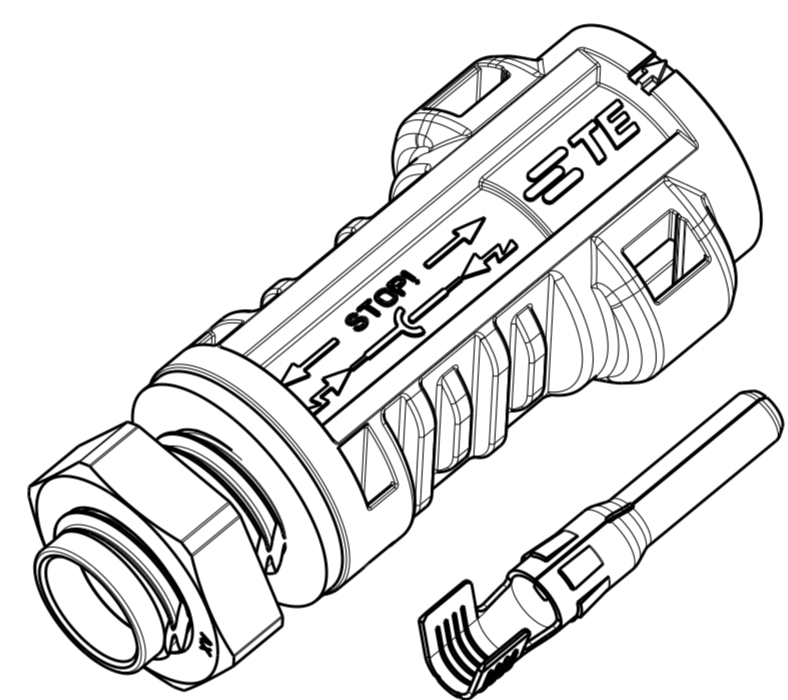
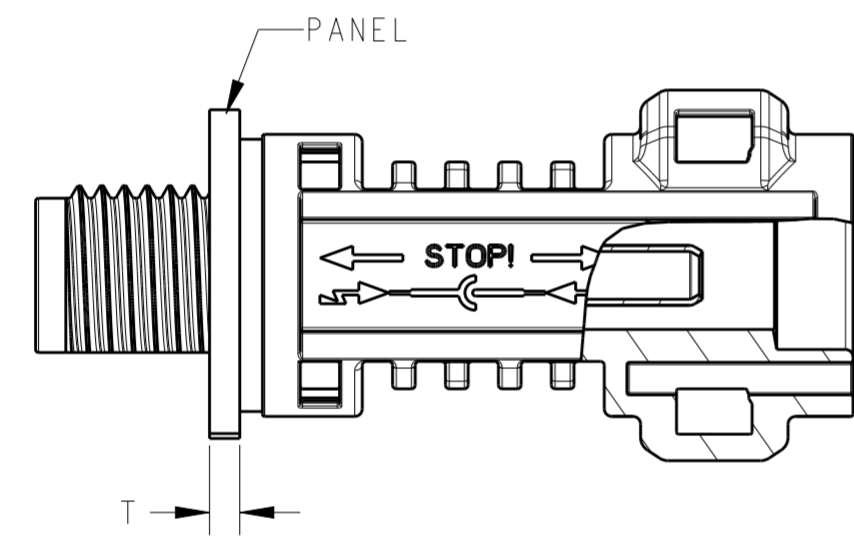


THIS DRAWING IS UNPUBLISHED. RELEASED FOR PUBLICATION 20
 © COPYRIGHT 20 BY TE CONNECTIVITY ALL RIGHTS RESERVED.

| LOC | | DIST | | REVISIONS | | | |
|-----|-----|---------------|-----------|-----------|------|--|--|
| P | LTR | DESCRIPTION | DATE | DWN | APVD | | |
| | A | ECR-14-000387 | 10JAN2014 | LW | PY | | |
| | A1 | ECR-14-015136 | 10OCT2014 | LW | PY | | |
| | A2 | ECR-15-005723 | 13APR2015 | KR | TD | | |
| | B | ECR-18-001422 | 26MAR2018 | SG | SM | | |

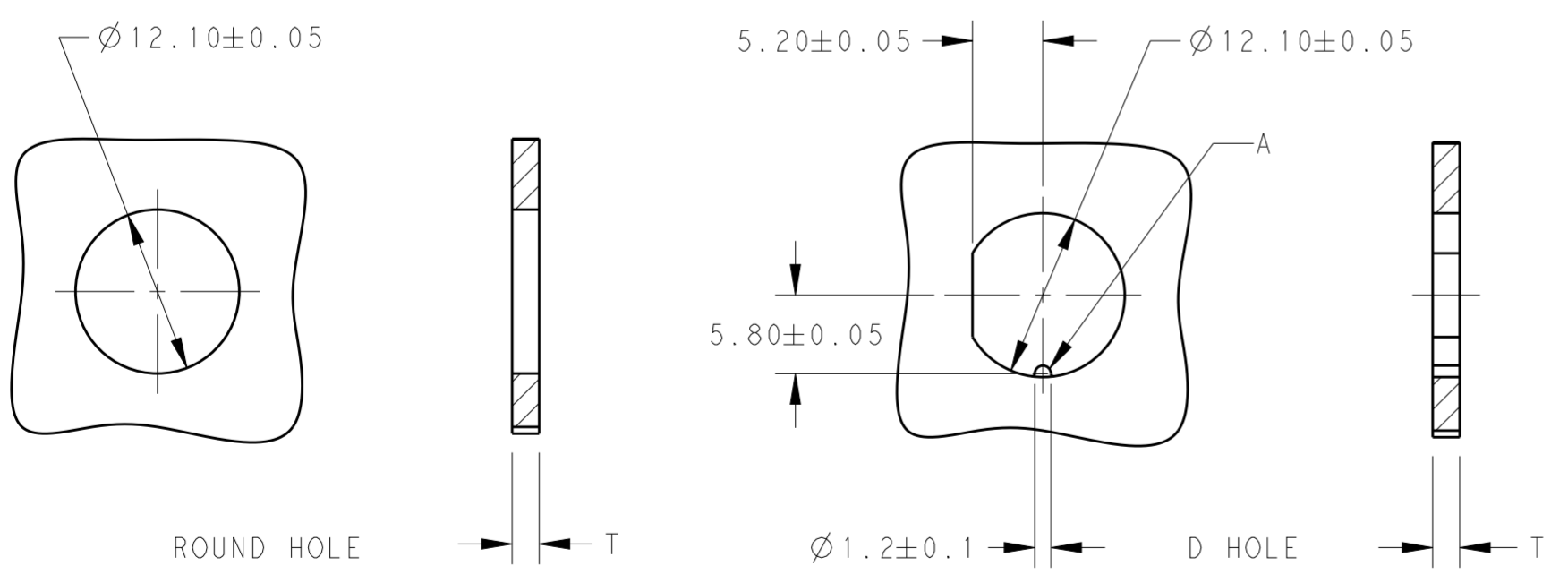


- 1 FLAT SEAL ASSEMBLED ON PIN HOUSING
- 2 NUT ENCLOSE LOOSELY
- 3 RECOMMENDED TIGHTENING TORQUE FOR NUT (ITEM NO.4) 1.0-1.2Nm WHEN ASSEMBLING AT PANEL WALL
- 4 USE ONLY CRIMPING TOOL OF TE CONNECTIVITY TO CRIMP CONTACT.
 - A. CRIMPING TOOL PN 6-1579014-9 WILL BE USED FOR CRIMPING THE CONTACTS HAVING WIRE SIZE 2.5mm² and 4.0mm².
 - B. CRIMPING TOOL PN 6-1579014-8 WILL BE USED FOR CRIMPING THE CONTACTS HAVING WIRE SIZE 4.0mm² and 6.0mm².



SCALE 2:1

-1 AS SHOWN



ROUND HOLE

RECOMMENDED MOUNTING HOLE

T(PANEL THICKNESS): 2-6mm
 FEATURE A DETERMINED BY CUSTOMER

| QUANTITY | DESCRIPTION | ITEM |
|----------|---|------|
| 100 | PACKAGING | |
| 1000 | ORDER-NO. | |
| 1 | PIN CONTACT, 2.5mm ² /14AWG | 4A 5 |
| 1 | PIN CONTACT, 4~6mm ² /10~12AWG | 4B |
| 1 | NUT M12x1.5 | 2 4 |
| 1 | FLAT SEAL | 1 3 |
| 1 | METAL CLIP RING | 2 |
| 1 | PIN HOUSING | 1 |

THIS DRAWING IS A CONTROLLED DOCUMENT.

| | | | | |
|-------------|--|------------------|------------|---------------------|
| DIMENSIONS: | TOLERANCES UNLESS OTHERWISE SPECIFIED: | DWN | 28MAR2013 | TE Connectivity |
| mm | 0 PLC ± | CHRIS WANG | 28MAR2013 | |
| | 1 PLC ±0.3 | CHK | DANIEL TAO | |
| | 2 PLC ± | APVD | PETER YIN | |
| | 3 PLC ± | PRODUCT SPEC | 108-106122 | NAME |
| | 4 PLC ± | APPLICATION SPEC | 114-106122 | SIZE |
| | ANGLES ± | WEIGHT | - | CAGE CODE |
| | FINISH | Customer Drawing | SCALE 2:1 | DRAWING NO |

RESTRICTED TO: -

SHEET 1 OF 1 REV B

X-ON Electronics

Largest Supplier of Electrical and Electronic Components

Click to view similar products for [Solar Connectors / Photovoltaic Connectors](#) category:

Click to view products by [TE Connectivity](#) manufacturer:

Other Similar products are found below :

[1740699-7](#) [1971861-4](#) [1971131-4](#) [1971858-3](#) [1971861-3](#) [PV-090508-F03](#) [PV-090508-M10](#) [PV-090510-F03](#) [PV-CM-S 2 5-6 \(-\)](#) [2270184-3](#)
[2270154-2](#) [2270226-4](#) [PV-090508-M06-N](#) [1987558-2](#) [PV-090506-F03](#) [UTXPM](#) [UTXPF](#) [UTXCMB6AM](#) [1627092](#) [1017635](#) [1017636](#) [1-](#)
[2306314-1](#) [1-2306314-2](#) [1302440201](#) [2-1971862-2](#) [H4CMC6DM](#) [1705996](#) [1705995](#) [1971858-2](#) [5-2306317-2](#) [1704926](#) [H4CFC4DIS](#)
[H4CMC4DC](#) [H4CFC4DC](#) [H4CMC4DM](#) [H4CFC4DM](#) [H4CFC6DM](#) [H4CFM2DI](#) [H4CFM6DI](#) [H4CMC2DI](#) [H4CMC8DM](#) [H4CMM6DI](#)
[H4CMC4DMS](#) [H4CMC4DIS](#) [H4PF](#) [H4PM](#) [PWJ-03BMMB-LL8001](#) [UTXCFA0AM](#) [UTXCFA4BMH](#) [UTXCMA0AM](#)