

4

3

2

1

THIS DRAWING IS UNPUBLISHED. RELEASED FOR PUBLICATION
 © COPYRIGHT - By - ALL RIGHTS RESERVED.

REVISIONS				
P	LTR	DESCRIPTION	DATE	APVD
H		REVISED PER ECR-16-010585	25JUL2016	RS PO

Dimensions: 6.40, 7.60, 1.00(TYP.20), 5.00 TYP., 4.90, [5.00] TRAVEL, .75 X 45°

Callouts: 3, 2, 1(1A)

Dimensions: 8.40, 8.40, 1.65, 4.40

Callouts: 4, 5, 6, 7, 8, 9, 10

Tolerances: 0.2, 20 PLCS, 0.700^{+0.02}/_{-0.03} TYP

Dimensions: 11.30, 52.00

Callouts: 2, 3

SPECIFICATIONS:
 FOUR POLE FOUR THROW

ELECTRICAL:
 CONTACT RATING, LOAD 1: 24VAC AT 1.2AMP (POWER FACTOR 0.4) AND INRUSH CURRENT OF 4.2 AMP (POWER FACTOR 0.4) LOAD 2: 750mVDC AT 100mA
 CONTACT RESISTANCE, 30 MILLIOHMS MAX
 INSULATION RESISTANCE, 500 MEGOHM MIN
 DIELECTRIC STRENGTH, 500 V RMS@ SEA LEVEL
 LIFE EXPECTANCY, 2,000 CYCLES

ENVIRONMENTAL:
 OPERATING TEMPERATURE, -20 TO +85° C
 STORAGE TEMPERATURE, -20 TO +85° C
 RESISTANCE TO SOLDER HEAT, PER 109-201, CONDITION A OMIT SECTION 3.3
 TIME OVER LIQUIDUS (217°C) 20 SECONDS MAX
 PEAK TEMPERATURE 225°±5°C

1 ALL MATERIALS AND FINISHES SHALL COMPLY WITH EU DIRECTIVE 2002/95/EC OF 27JAN2003 (ROHS)

2 PART TO BE RECEIVED WITH ACTUATOR IN POSITION B

3 MARK PER 202-37 THIS SURFACE

4 NOTE DELETED.

5 RESISTANCE TO SOLDER HEAT, PER 109-201 CONDITION B.

ITEM NO.	DESCRIPTION	MATERIAL	QUANTITY	
2	NONE	STEEL	BALL	10
1	NONE	STEEL	SPRING	9
AR	NONE	GREASE	ACTUATOR LUBRICATION	8
AR	NONE	GREASE	CONTACT LUBRICATION	7
1	NONE	MUSIC WIRE	COIL SPRING	6
2	AG OVER NI	COPPER TI	MOVING CONTACT	5
20	AG OVER NI	COPPER	FIXED CONTACT/TERMINAL	4
1	NICKEL	COLD ROLLED STEEL	FRAME	3
1	NATURAL	PHENOLIC LAMINATED SHEET UL94 HB	BOARD	2
1	BLACK	LCP UL94 V-0 30% GF	ACTUATOR	1A
-	BLACK	PA66 UL 94HB, 15% GF	ACTUATOR	1
-4	FINISH	MATERIAL	PART DESCRIPTION	ITEM NO.

NON SHORTING SCHEMATIC

SOLDER HEAT		TAPE & REEL	N/A	1977145-4
PACKAGING		INSPECTION STATUS	PART NUMBER	
THIS DRAWING IS A CONTROLLED DOCUMENT.		DWN M.BINNER 23JUL2007	TE Connectivity SLIDE SWITCH, 4P4T, SMT	
DIMENSIONS: mm		CHK M.SARVER 23JUL07		
TOLERANCES UNLESS OTHERWISE SPECIFIED:		APVD -		
MATERIAL		PRODUCT SPEC -		
FINISH		APPLICATION SPEC -	SIZE A2	CAGE CODE 00779
		WEIGHT	DRAWING NO. C=1977145	RESTRICTED TO -
		CUSTOMER DRAWING	SCALE 4:1	SHEET 1 OF 2
			REV H	

1471-9 (1/15)

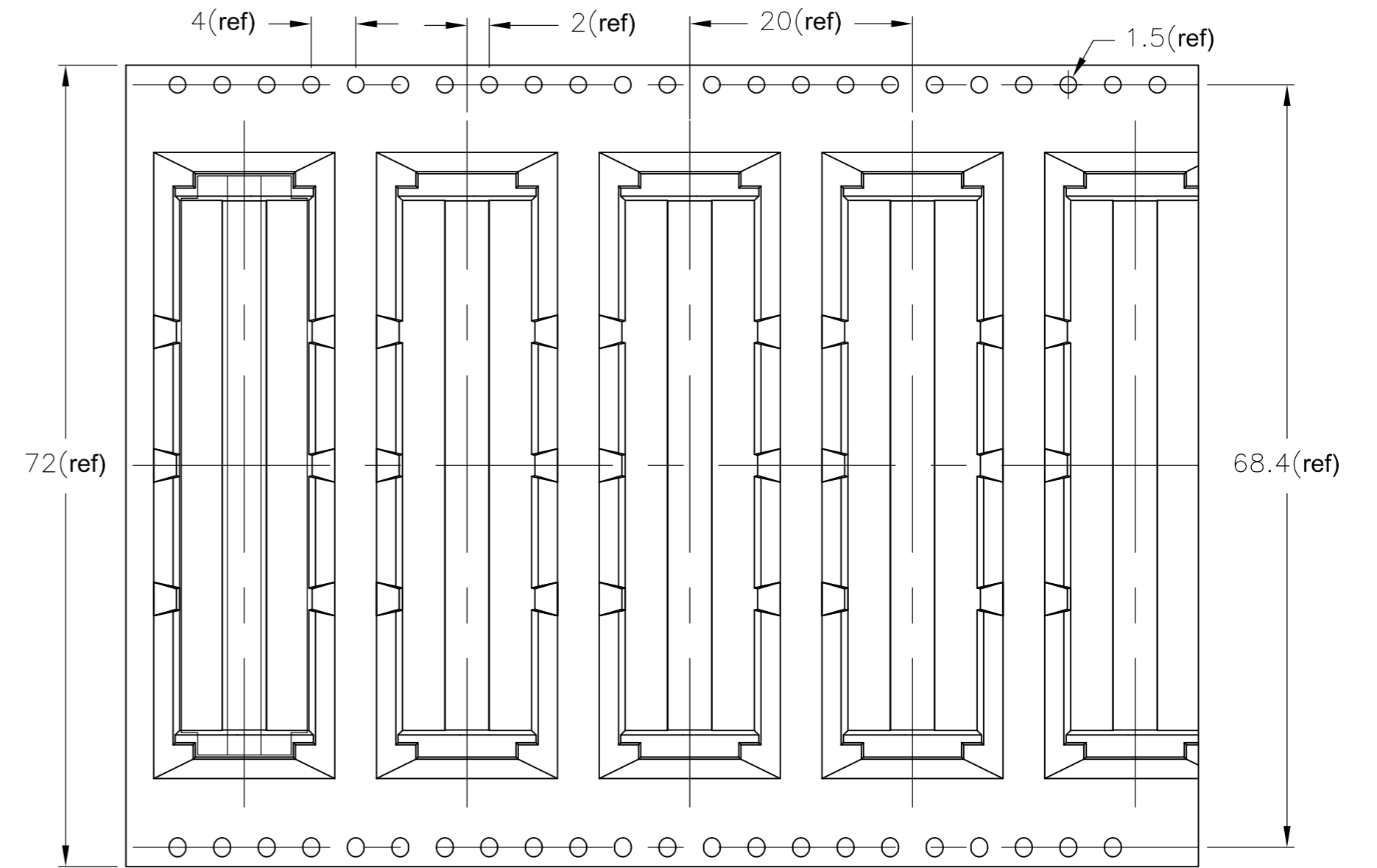
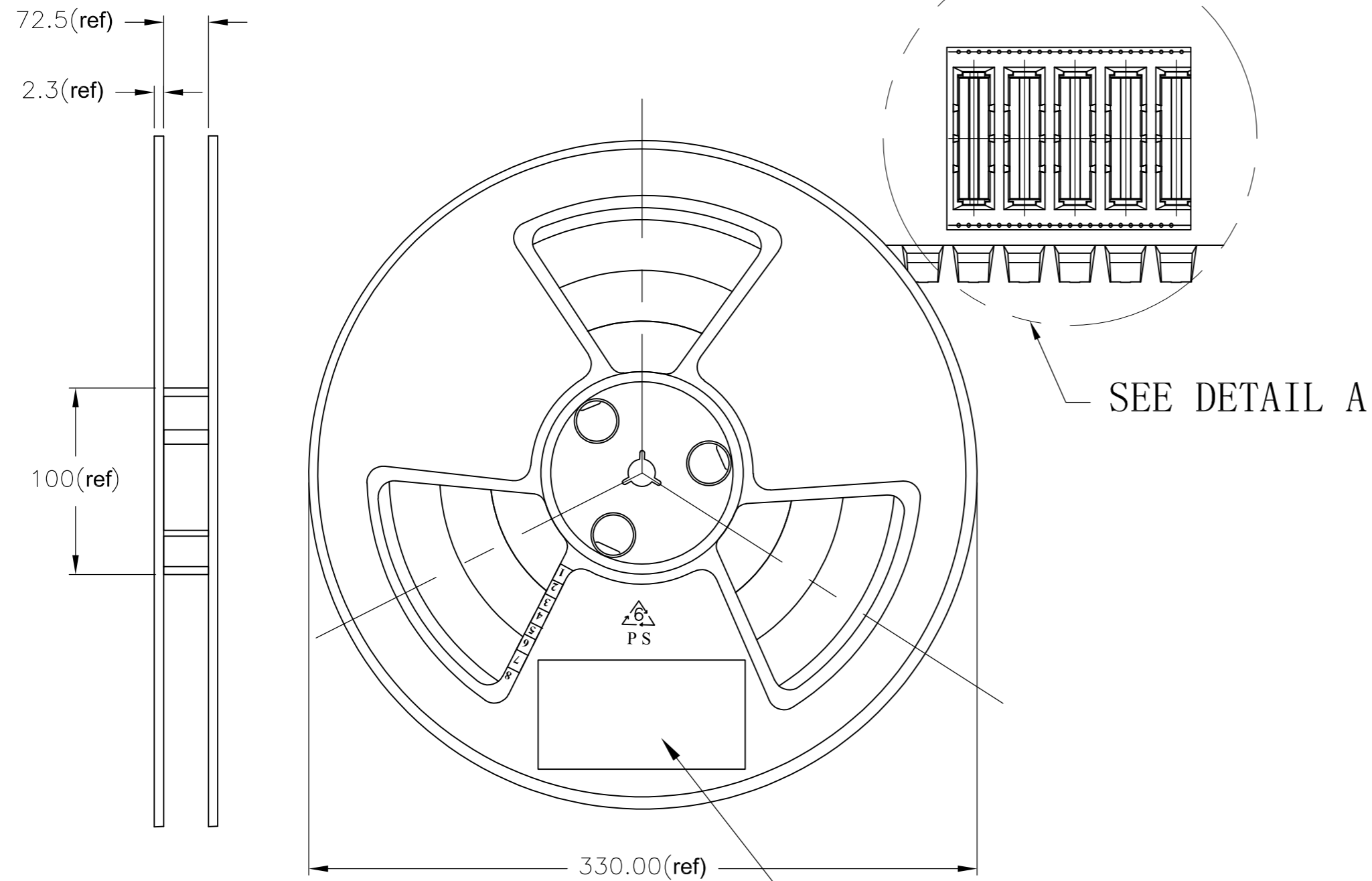
1977145

B

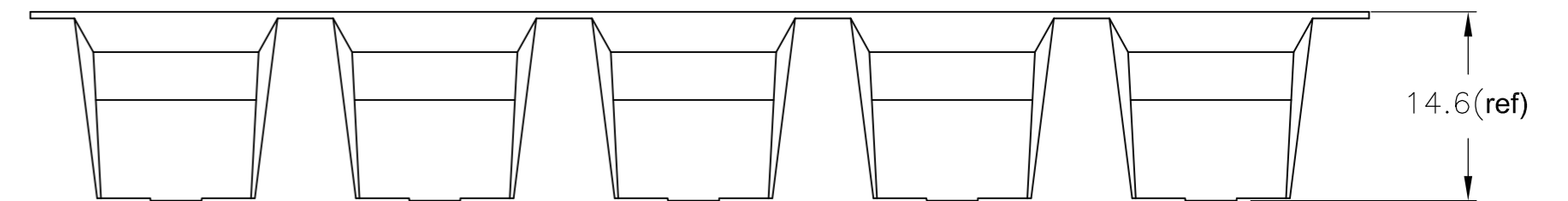
A

THIS DRAWING IS UNPUBLISHED. RELEASED FOR PUBLICATION
 © COPYRIGHT - By - ALL RIGHTS RESERVED.

REVISIONS					
P	LTR	DESCRIPTION	DATE	DWN	APVD
-	-	SEE SHEET 1	-	-	-



INTERNAL LABEL STUCK ON REEL (DETAILS AS PER NOTE 5)



SEE DETAIL A
4:1

NOTES

1. TAPE, REEL, AND TAPING SHALL MEET THE REQUIREMENTS OF EIA-481-2.
2. EMBOSSED TAPE SHALL BE CONDUCTIVE TYPE.
3. FOR PART ORIENTATION IN TAPE SEE DETAIL A.
4. REEL SHALL CONTAIN 200 PIECES SWITCH.

5. DETAILS OF INTERNAL LABEL ON REEL:
 TYCO ELECTRONICS
 P/N:1977145-3 & -4
 QTY:200PCS
 DATE CODE:XXXX

THIS DRAWING IS A CONTROLLED DOCUMENT.		DWN M.BINNER 23JUL2007			
DIMENSIONS: mm		CHK M.SARVER 23JUL07			
TOLERANCES UNLESS OTHERWISE SPECIFIED:		APVD -	NAME		
0 PLC ± -		PRODUCT SPEC	SLIDE SWITCH, 4P4T, SMT		
1 PLC ± -		APPLICATION SPEC	SIZE	CAGE CODE	DRAWING NO
2 PLC ± 0.20		WEIGHT	A2	00779	C=1977145
3 PLC ± 0.02		CUSTOMER DRAWING	SCALE	SHEET	REV
4 PLC ± -			NTS	2 of 2	H
ANGLES ± 3°					
FINISH					

X-ON Electronics

Largest Supplier of Electrical and Electronic Components

Click to view similar products for [TE Connectivity](#) manufacturer:

Other Similar products are found below :

[D38999/24FJ4AN](#) [570416-000](#) [CLTEQ-M81CE-SSRELAY-4-20V](#) [4-1195131-0](#) [650069-000](#) [SMD100-2](#) [358838-000](#) [CB-1022B-78](#)
[RM707012](#) [RP410012](#) [MMS42](#) [1-640426-8](#) [2EDL4CM](#) [DTS20W19-11PD-3028-LC](#) [RM202615](#) [NC6-P104-06](#) [MSPS103B](#) [DTS26F21-41HE-LC](#) [DTS26F21-41AE](#) [DTS26F21-41PE-LC](#) [DTS26F21-11SE-3028-LC](#) [30DCB6](#) [1932144-1](#) [293545-4](#) [LVR125S](#) [MS27466T25F4PB](#)
[CKB-38-78010](#) [TR04AI-TINELLOCKRING](#) [1206SFF150F/63-2](#) [D38999/20JB35HA](#) [TE1500A2R2J](#) [D38999/20WC8BB](#) [DTS24F19-11SC-3028-LC](#) [D38999/24WG11HA](#) [D38999/24WG11HN](#) [MS27467T21F11H](#) [DJT16E21-11HA](#) [MS27467T21F35J](#) [MS27467T21F11J](#)
[MS27467T21F16H-LC](#) [MS27467T21F35H](#) [MS27467T21F41H-LC](#) [1206SFH150F/24-2](#) [RP330024](#) [DJT16E21-11PA-LC](#) [DJT16E21-11HA-LC](#) [DJT16E21-11AA](#) [MS27467T21B11JA](#) [DJT16E21-11JA](#) [MS27467T21B11JA-LC](#)