

REVISIONS					
P	LTR	DESCRIPTION	DATE	DWN	APVD
G		REVISED PER ECR-19-019812	02JAN2020	SR	BJ

SPECIFICATIONS:

MATERIAL

BASE, PPS, UL94V-0, BLACK  
 COVER, PPS, UL94V-0, BLACK  
 ACTUATOR, PA6T, UL94V-0, WHITE  
 FIXED CONTACT/TERMINAL, CU ALLOY-GOLD FLASH OVER NICKEL  
 MOVING CONTACT, CU ALLOY, PLATE-GOLD FLASH/NICKEL  
 TAPE SEAL-POLYIMIDE FILM, AMBER, SEE P/N TABLE FOR OPTIONS

ELECTRICAL

MAX CONTACT RATING SWITCHING, 100mA @ 5 VDC (AMPERE MAX)  
 25mA @ 24 VDC (VOLTAGE MAX)

MIN CONTACT RATING SWITCHING, 0.1mA (1mV)  
 MAX CONTACT NON-SWITCHING, 1AMP @ 5 VDC  
 INITIAL CONTACT RESISTANCE, 50 MILLIOHMS MAX.  
 CONTACT RESISTANCE (AFTER ENVIRONMENTAL TEST), 100 MILLIOHMS  
 CONTACT RESISTANCE (AFTER GAS TEST), 300 MILLIOHMS  
 INSULATION RESISTANCE, 1,000 MEGOHMS MIN. @ 100 VDC  
 DIELECTRIC STRENGTH, 300 VAC FOR 1 MINUTE.  
 LIFE EXPECTANCY, 1,000 CYCLES

MECHANICAL

OPERATING FORCE, LESS THAN 800 GRAMS  
 CONTACT PRESSURE, 280,000 PSI

ENVIRONMENTAL

OPERATING TEMPERATURE, -30 TO +85 DEGREES C  
 STORAGE TEMPERATURE, -30 TO +85 DEGREES C  
 CLEANING, AQUEOUS OR SOLVENT  
 SOLDER HEAT RESISTANCE, PER 109-201, COND B, SWITCH "OFF".  
 SOLDERABILITY PER IPC/ECA J-STD-002D, TEST S1 LEAD-FREE SOLDER - SURFACE MOUNT PROCESS SIMULATION TEST.

1 SWITCHES TO BE RECEIVED IN THE "OFF" POSITION AND PACKAGED IN CLEAR TUBES TO ACCOMMODATE AUTO-INSERTION OR PACKAGED ON TAPE AND REEL

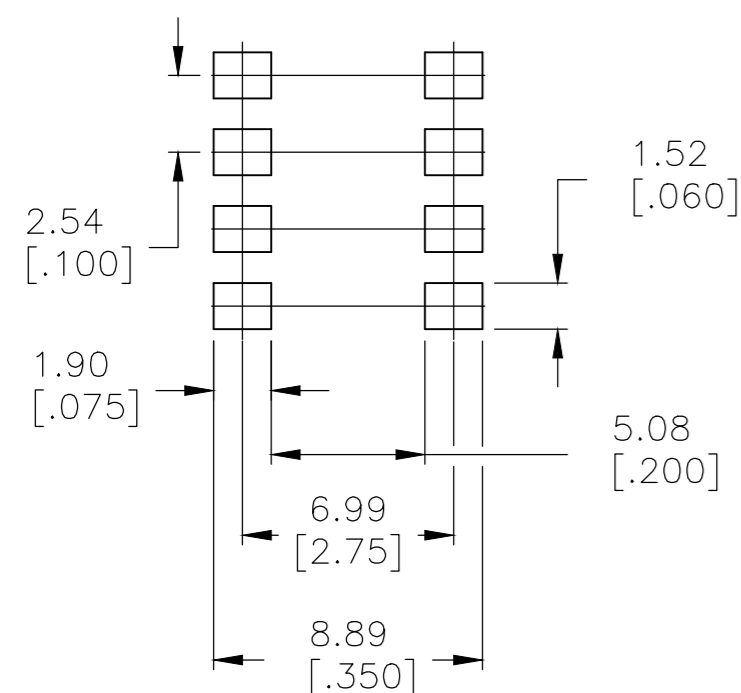
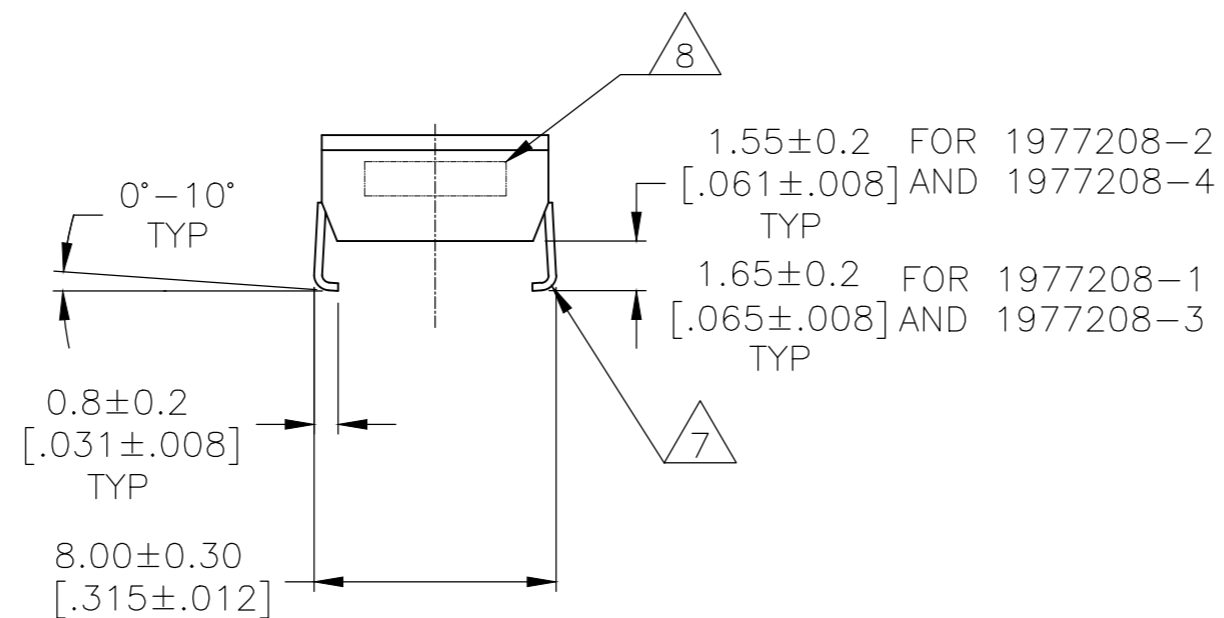
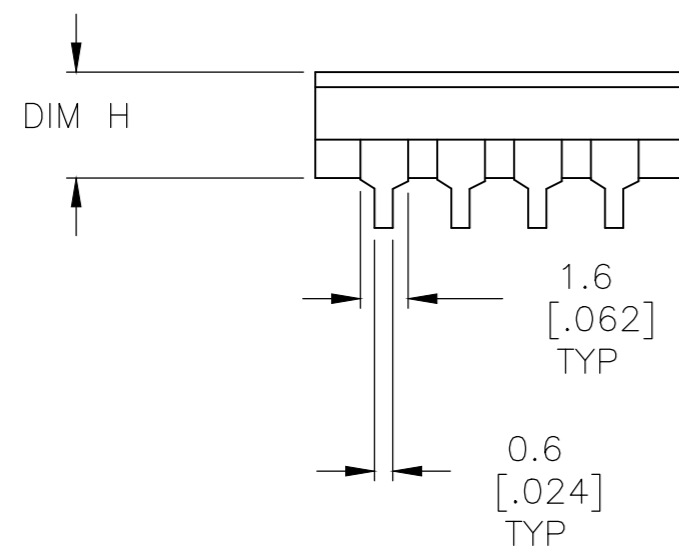
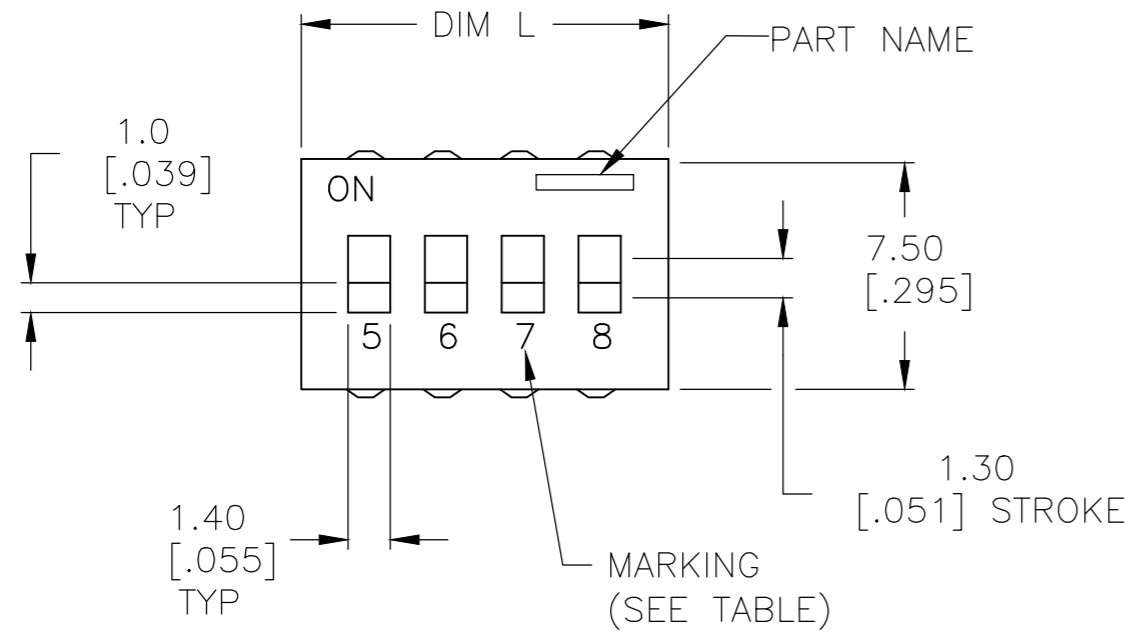
2 TOP SURFACE TO BE CLEARLY MARKED AS SHOWN

3 SWITCHES TO BE BLACK WITH WHITE ACTUATORS AND MARKINGS.

4 ALL MATERIALS AND FINISHES SHALL COMPLY WITH EU DIRECTIVE 2002/95/EC OF 27JAN2003 (ROHS)

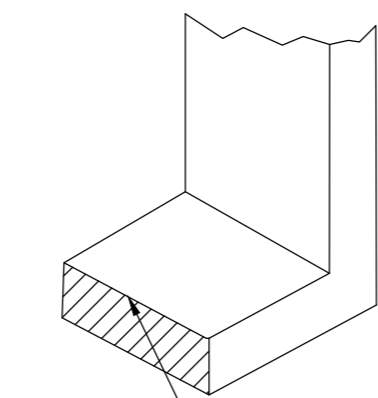
5 TAPE AND REEL PACKAGING PER EIA 481.

6 PACKAGING REEL DIMENSIONS (PLEASE REFERENCE SHEET 2)  
 FOR 1977208-1,-3, DIM: 24.5  
 FOR 1977208-2,-4, DIM: 44.4



RECOMMENDED PAD LAYOUT

CONTACT PLATING DETAIL



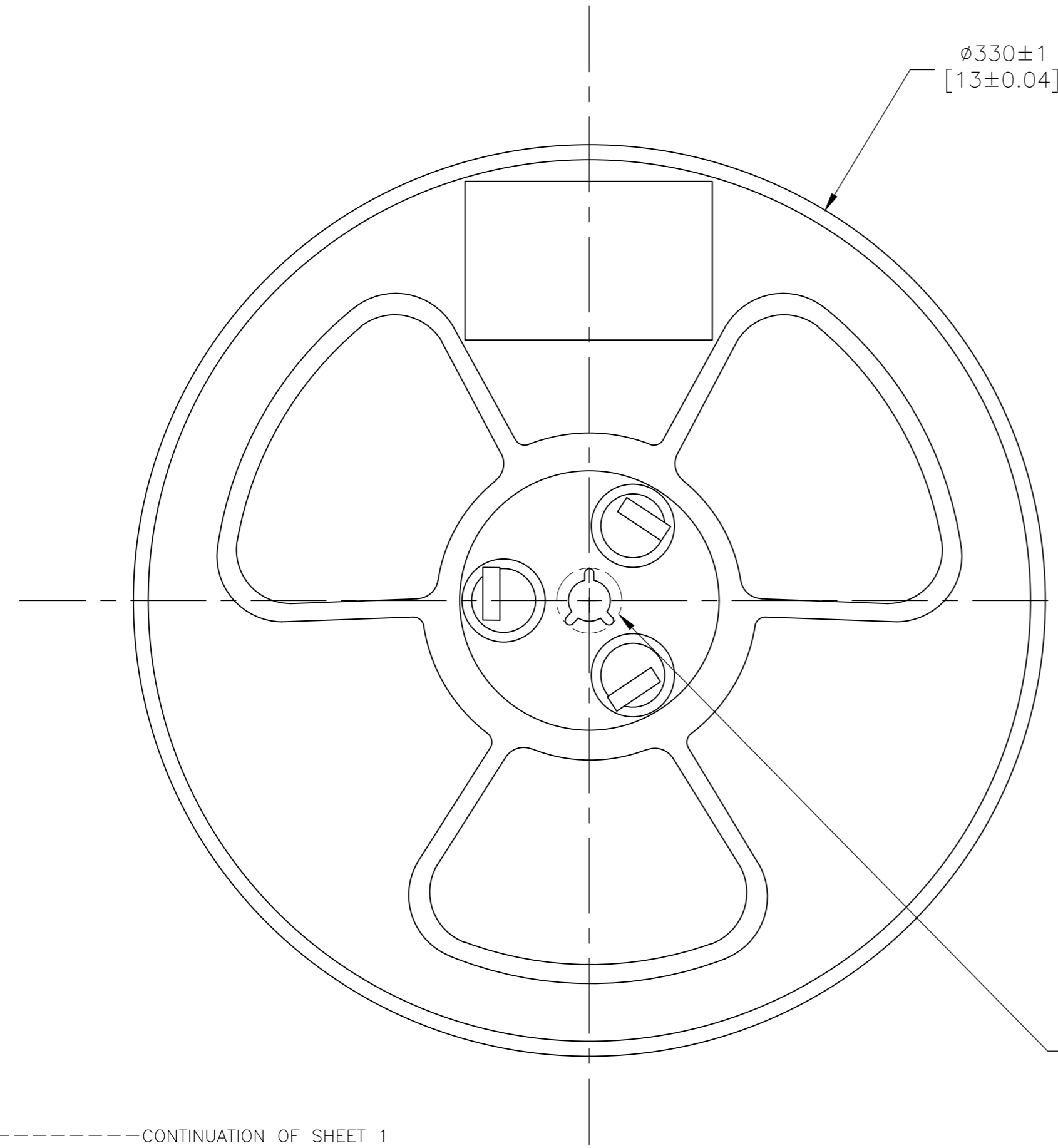
SHEAR EDGE NOT PLATED. ALL REMAINING SURFACES ARE SUPPLIED WITH GOLD-FLASH OVER NICKEL PLATING

1,2,3,4,5,6,7,8,1,2,3,4	T&R	NO	3.50 (.138)	32.50 (1.280)	12	ADF12SATRO4900	1977208-4
5,6,7,8	T&R	NO		12.1 (.478)	4	ADF04SATRO4900	1977208-3
1,2,3,4,5,6,7,8,1,2,3,4	T&R	YES	3.50 (.138)	32.50 (1.280)	12	ADF12SATTRO4900	1977208-2
5,6,7,8	T&R	YES		12.1 (.478)	4	ADF04SATTRO4900	1977208-1
MARKING	PKG.	TAPE SEAL	DIM H	DIM L	POLE	OLD T&B P/N	P/N

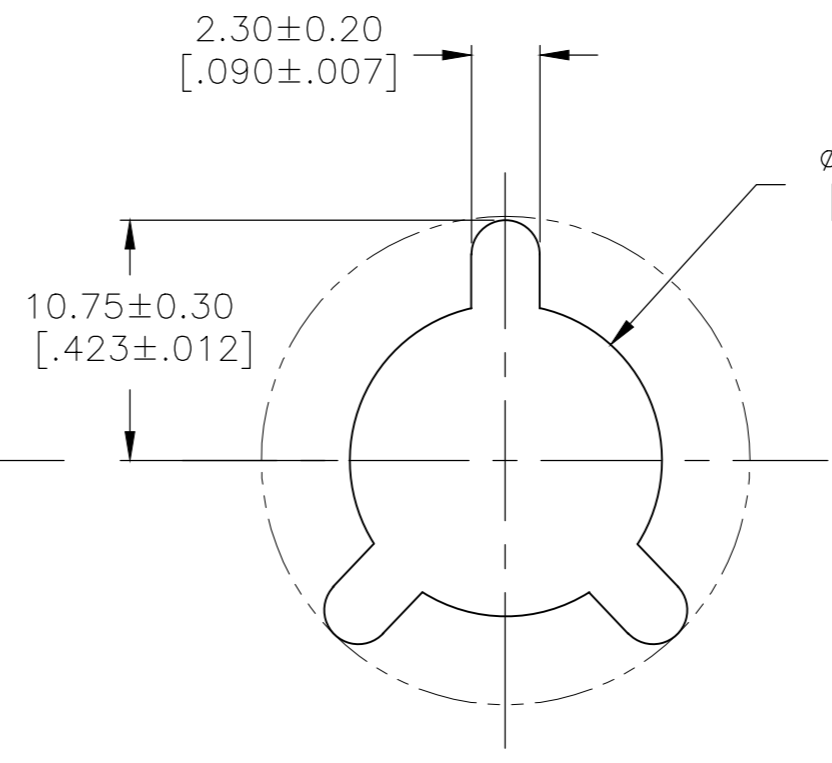
THIS DRAWING IS A CONTROLLED DOCUMENT.		DWN	M.BINNER	30AUG07	TE Connectivity			
DIMENSIONS: mm [INCHES]		CHK	M.SARVER					
TOLERANCES UNLESS OTHERWISE SPECIFIED:		APVD	M.SARVER		NAME			
0 PLC	± -	PRODUCT SPEC			DIP SWITCH, ADF-SMT SERIES, SPECIAL			
1 PLC	± -	APPLICATION SPEC			SIZE	CAGE CODE	DRAWING NO	RESTRICTED TO
2 PLC	± 0.30[.012]				A2	-	1977208	-
3 PLC	± -				SCALE 4:1			SHEET 1 OF 3
4 PLC	± -				CUSTOMER DRAWING			REV G
ANGLES	± -							
FINISH								

THIS DRAWING IS UNPUBLISHED. RELEASED FOR PUBLICATION . 1825059 1825059  
 © COPYRIGHT 1825059y - ALL RIGHTS RESERVED.

REVISIONS				
P	LTR	DESCRIPTION	DATE	APVD
-	-	SEE SHEET 1	-	-



$\phi 330 \pm 1$   
 $[13 \pm 0.04]$

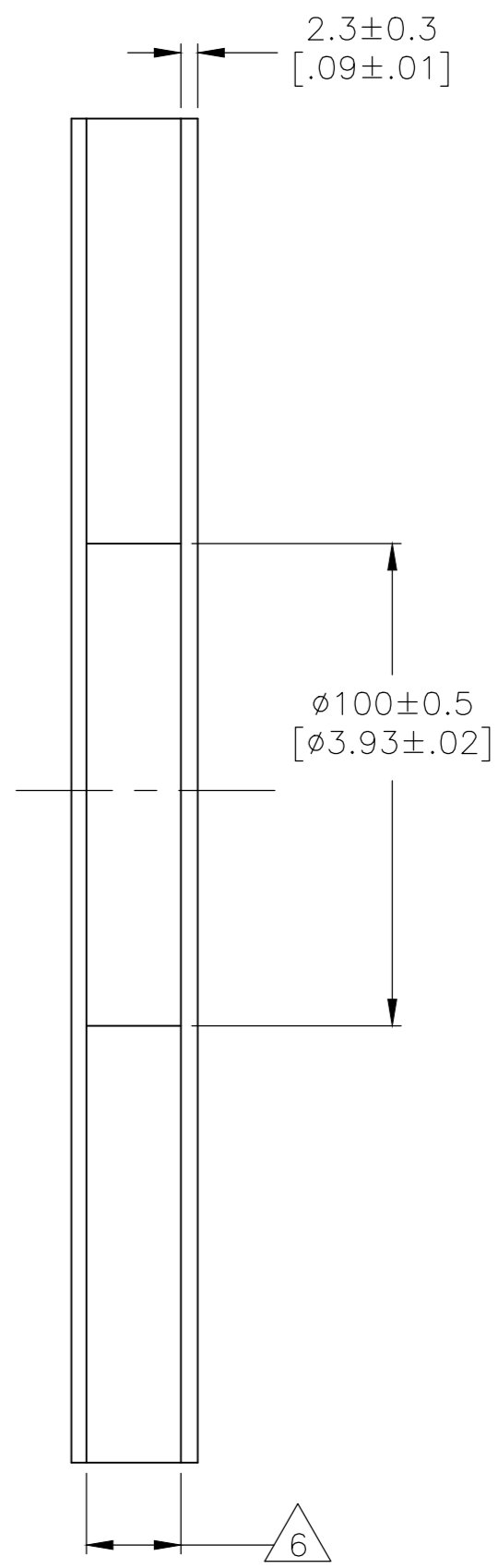


$2.30 \pm 0.20$   
 $[\ .090 \pm .007 ]$

$10.75 \pm 0.30$   
 $[ .423 \pm .012 ]$

$\phi 13.50 \pm 0.50$   
 $[ \phi .531 \pm .020 ]$

DETAIL A (5:1)



$2.3 \pm 0.3$   
 $[ .09 \pm .01 ]$

$\phi 100 \pm 0.5$   
 $[ \phi 3.93 \pm .02 ]$

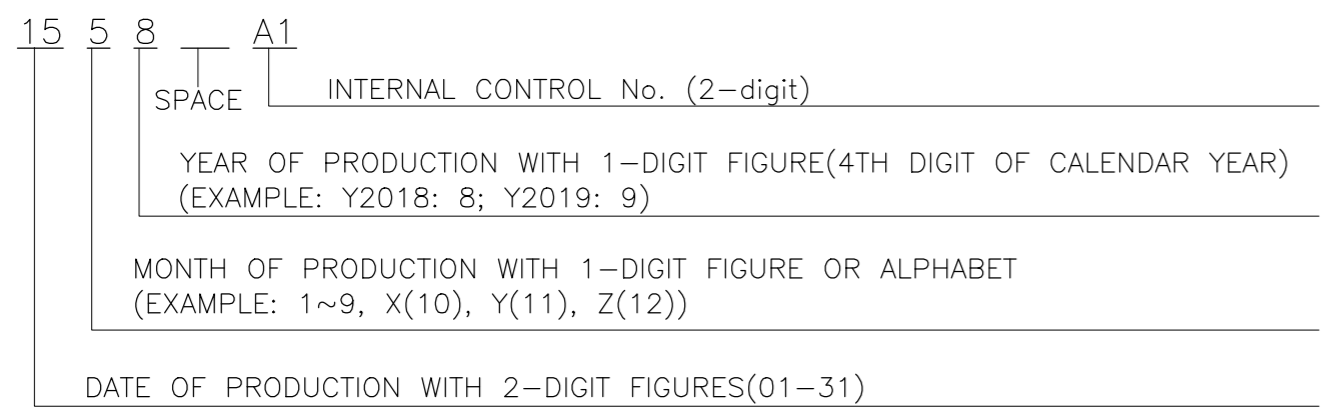
6

DETAIL A

-----CONTINUATION OF SHEET 1

7 SEE PLATING DETAIL FOR DEFINITION OF CONTACT PLATING SURFACES

8 LOT CODE MARKING





9. STICK A BAR CODE LABEL OF 40mm x 83mm TO EACH REEL.


THIS DRAWING IS A CONTROLLED DOCUMENT.		DWN M.BINNER	30AUG07	<b>TE</b> TE Connectivity	
DIMENSIONS: mm [INCHES]		CHK M.SARVER	-		
TOLERANCES UNLESS OTHERWISE SPECIFIED:		APVD M.SARVER	-	NAME	
0 PLC ± -		PRODUCT SPEC	-	DIP SWITCH, ADF-SMT SERIES, SPECIAL	
1 PLC ± -		APPLICATION SPEC	-	SIZE	CAGE CODE
2 PLC ± 0.30[.012]		WEIGHT	-	A2	-
3 PLC ± -		CUSTOMER DRAWING	-	DRAWING NO	RESTRICTED TO
4 PLC ± -				C=1977208	-
ANGLES ± -				SCALE	SHEET
FINISH				4:1	2 of 3
				REV	G


REVISIONS				
P	LTR	DESCRIPTION	DATE	APVD
-	-	SEE SHEET 1	-	-

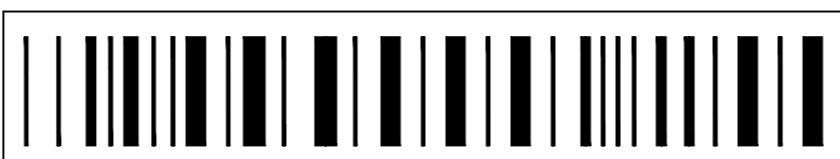
# BAR CODE LABEL DETAILS

TE Part Number:   
1977208-3

Part Description:   
ADF04SATR04900=4POS DIP

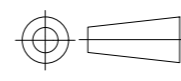
TE Connectivity: 

Qty:   
130

Date Code:   
1948

40 mm

83 mm

THIS DRAWING IS A CONTROLLED DOCUMENT.		DWN M.BINNER	30AUG07	<b>TE</b> TE Connectivity	
DIMENSIONS: mm [INCHES]		CHK M.SARVER	APVD M.SARVER		
		TOLERANCES UNLESS OTHERWISE SPECIFIED:		NAME -	
		0 PLC ± - 1 PLC ± - 2 PLC ± 0.30[.012] 3 PLC ± - 4 PLC ± - ANGLES ± -		PRODUCT SPEC -	
MATERIAL -		FINISH -		APPLICATION SPEC -	
		WEIGHT -		SIZE A2	CAGE CODE -
CUSTOMER DRAWING				DRAWING NO C=1977208	RESTRICTED TO -
				SCALE NTS	SHEET 3 OF 3
				REV G	

## X-ON Electronics

Largest Supplier of Electrical and Electronic Components

*Click to view similar products for te connectivity manufacturer:*

Other Similar products are found below :

[570416-000](#) [CLTEQ-M81CE-SSRELAY-4-20V](#) [4-1633138-8](#) [D38999/24FJ4AN](#) [4-1195131-0](#) [650069-000](#) [SMD100-2](#) [2EDL4CM](#)  
[DTS20W19-11PD-3028](#) [DTS20W19-11PD-3028-LC](#) [DTS20W19-32SD-3028-LC](#) [DTS20W19-32SD-3028](#) [NC6-P104-06](#) [TXR64AB90-](#)  
[3616AI](#) [DTS26F21-41HE](#) [DTS26F21-41AE](#) [DTS26F21-41PE-LC](#) [DTS26F21-11SE-3028-LC](#) [D38999/24WF32JE](#) [D38999/24WF32SE-LC](#)  
[DTS24W19-32HE](#) [D38999/20JB35HA](#) [D38999/24WJ20PA](#) [164-8033-08](#) [D38999/24FF32JE](#) [D38999/24FF32SE-LC](#) [D38999/24WF32JB](#)  
[D38999/24WG11HA](#) [D38999/24WG11HN](#) [MS27467T21F11H](#) [DJT16E21-11HA](#) [DTS24F19-32HE](#) [DTS20W19-32SA-3028-LC](#) [DTS24F19-](#)  
[11SC-3028-LC](#) [DTS24F19-11SC-3028](#) [DJT14E13-98HB](#) [D38999/20WC8BB](#) [1-330599-5](#) [DTS24F21-41HN-LC](#) [DTS24F21-41HN](#)  
[DTS24F21-41AN](#) [DTS24F21-39HN](#) [DTS24F21-41PN-LC](#) [AFD50-10-6SN-1A-LC](#) [DJT10F17-26HC](#) [DTS24W19-32HB](#) [ACT20JE99HA](#)  
[DJT10E17-26HC](#) [DJT10E17-26HN](#) [DJT10F17-26HA](#)