

REVISIONS					
P	LTR	DESCRIPTION	DATE	DWN	APVD
G		REVISED PER ECR-19-019812	02JAN2020	SR	BJ

SPECIFICATIONS:

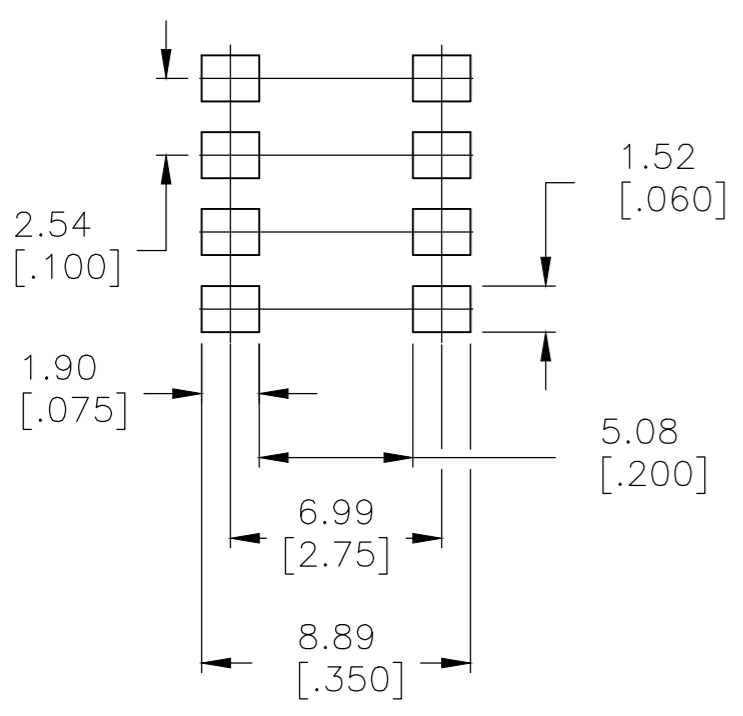
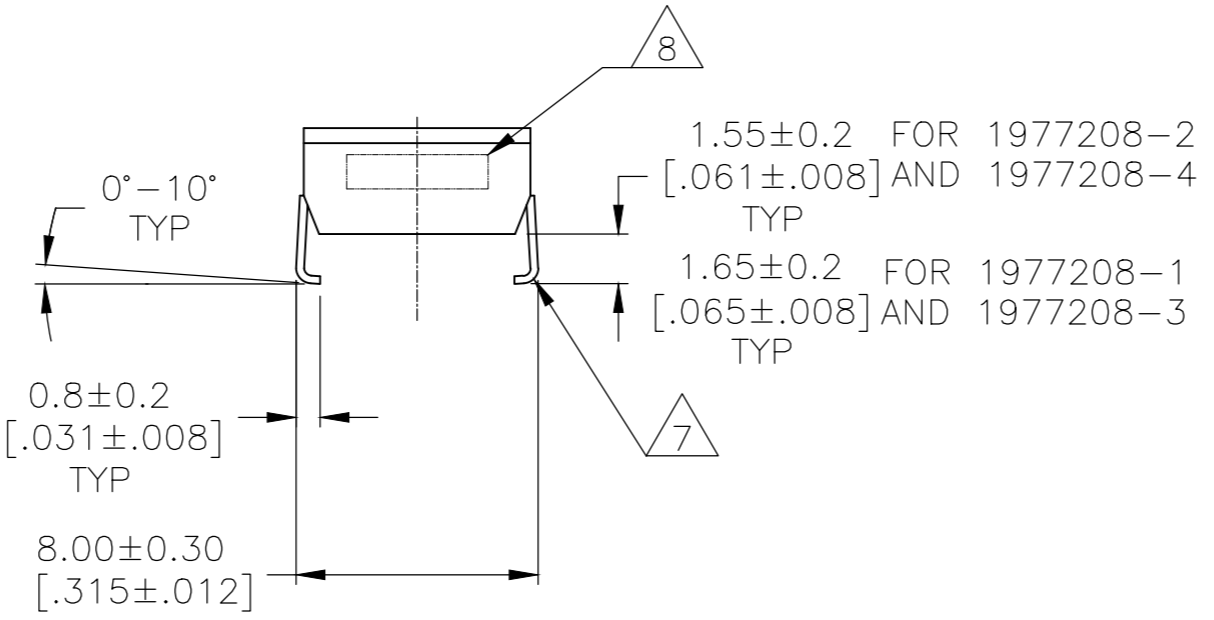
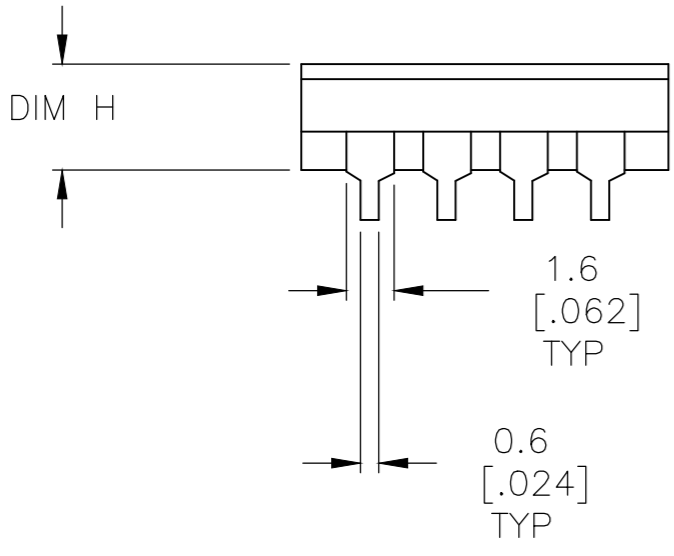
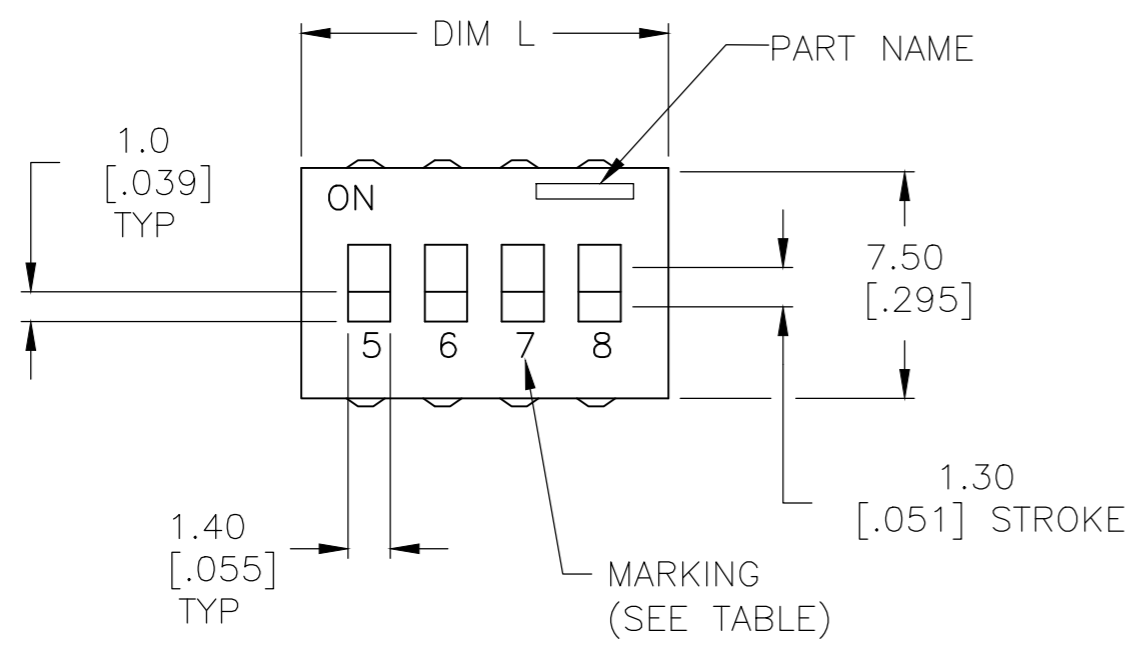
MATERIAL
 BASE, PPS, UL94V-0, BLACK
 COVER, PPS, UL94V-0, BLACK
 ACTUATOR, PA6T, UL94V-0, WHITE
 FIXED CONTACT/TERMINAL, CU ALLOY-GOLD FLASH OVER NICKEL
 MOVING CONTACT, CU ALLOY, PLATE-GOLD FLASH/NICKEL
 TAPE SEAL-POLYIMIDE FILM, AMBER, SEE P/N TABLE FOR OPTIONS

ELECTRICAL
 MAX CONTACT RATING SWITCHING, 100mA @ 5 VDC (AMPERE MAX)
 25mA @ 24 VDC (VOLTAGE MAX)
 MIN CONTACT RATING SWITCHING, 0.1mA (1mV)
 MAX CONTACT NON-SWITCHING, 1AMP @ 5 VDC
 INITIAL CONTACT RESISTANCE, 50 MILLIOHMS MAX.
 CONTACT RESISTANCE (AFTER ENVIRONMENTAL TEST), 100 MILLIOHMS
 CONTACT RESISTANCE (AFTER GAS TEST), 300 MILLIOHMS
 INSULATION RESISTANCE, 1,000 MEGOHMS MIN. @ 100 VDC
 DIELECTRIC STRENGTH, 300 VAC FOR 1 MINUTE.
 LIFE EXPECTANCY, 1,000 CYCLES

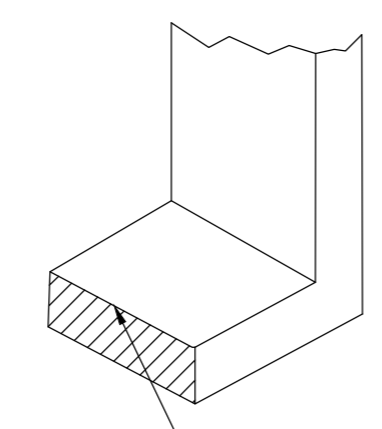
MECHANICAL
 OPERATING FORCE, LESS THAN 800 GRAMS
 CONTACT PRESSURE, 280,000 PSI

ENVIRONMENTAL
 OPERATING TEMPERATURE, -30 TO +85 DEGREES C
 STORAGE TEMPERATURE, -30 TO +85 DEGREES C
 CLEANING, AQUEOUS OR SOLVENT
 SOLDER HEAT RESISTANCE, PER 109-201, COND B, SWITCH "OFF".
 SOLDERABILITY PER IPC/ECA J-STD-002D, TEST S1 LEAD-FREE SOLDER - SURFACE MOUNT PROCESS SIMULATION TEST.

- SWITCHES TO BE RECEIVED IN THE "OFF" POSITION AND PACKAGED IN CLEAR TUBES TO ACCOMMODATE AUTO-INSERTION OR PACKAGED ON TAPE AND REEL
 - TOP SURFACE TO BE CLEARLY MARKED AS SHOWN
 - SWITCHES TO BE BLACK WITH WHITE ACTUATORS AND MARKINGS.
 - ALL MATERIALS AND FINISHES SHALL COMPLY WITH EU DIRECTIVE 2002/95/EC OF 27JAN2003 (ROHS)
 - TAPE AND REEL PACKAGING PER EIA 481.
- △ 6 PACKAGING REEL DIMENSIONS (PLEASE REFERENCE SHEET 2)
 FOR 1977208-1,-3, DIM: 24.5
 FOR 1977208-2,-4, DIM: 44.4



△ CONTACT PLATING DETAIL



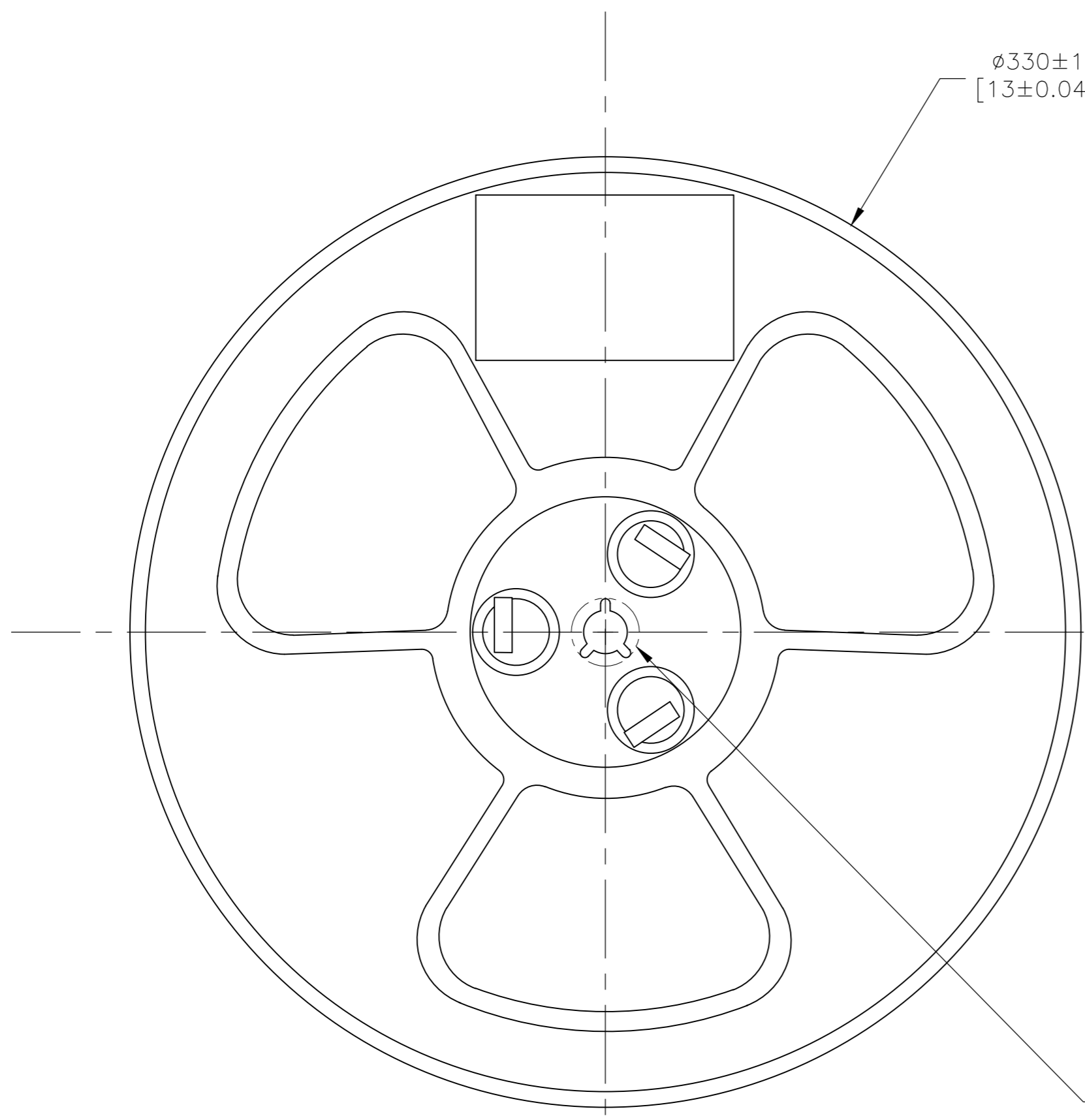
SHEAR EDGE NOT PLATED. ALL REMAINING SURFACES ARE SUPPLIED WITH GOLD-FLASH OVER NICKEL PLATING

1,2,3,4,5,6,7,8,1,2,3,4	T&R	NO	3.50 (.138)	32.50 (1.280)	12	ADF12SATRO4900	1977208-4
5,6,7,8	T&R	NO		12.1 (.478)	4	ADF04SATRO4900	1977208-3
1,2,3,4,5,6,7,8,1,2,3,4	T&R	YES	3.50 (.138)	32.50 (1.280)	12	ADF12SATTRO4900	1977208-2
5,6,7,8	T&R	YES		12.1 (.478)	4	ADF04SATTRO4900	1977208-1
MARKING	PKG.	TAPE SEAL	DIM H	DIM L	POLE	OLD T&B P/N	P/N

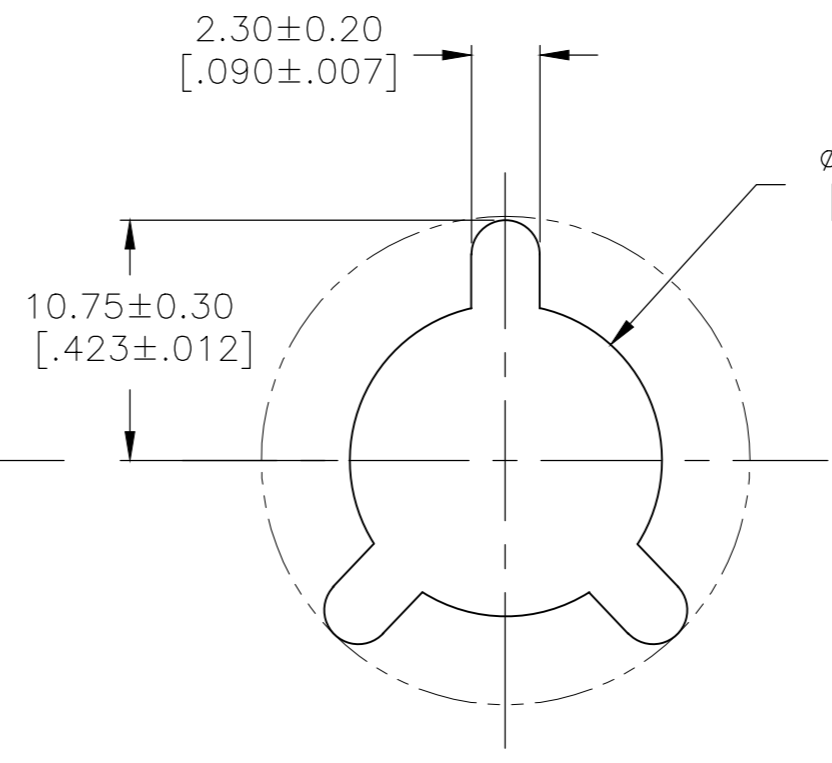
THIS DRAWING IS A CONTROLLED DOCUMENT.		DWN	M.BINNER	30AUG07	TE Connectivity		
DIMENSIONS: mm [INCHES]		CHK	M.SARVER				
TOLERANCES UNLESS OTHERWISE SPECIFIED:		APVD	M.SARVER		NAME		
0 PLC	± -	PRODUCT SPEC			DIP SWITCH, ADF-SMT SERIES, SPECIAL		
1 PLC	± -	APPLICATION SPEC			SIZE	CAGE CODE	DRAWING NO
2 PLC	± 0.30[.012]				A2	-	C=1977208
3 PLC	± -				SCALE	SHEET	REV
4 PLC	± -				4:1	1 of 3	G
ANGLES	± -				CUSTOMER DRAWING		
FINISH		WEIGHT					

THIS DRAWING IS UNPUBLISHED. RELEASED FOR PUBLICATION . 1825059 1825059
 © COPYRIGHT 1825059y - ALL RIGHTS RESERVED.

REVISIONS				
P	LTR	DESCRIPTION	DATE	APVD
-	-	SEE SHEET 1	-	-



$\phi 330 \pm 1$
 $[13 \pm 0.04]$

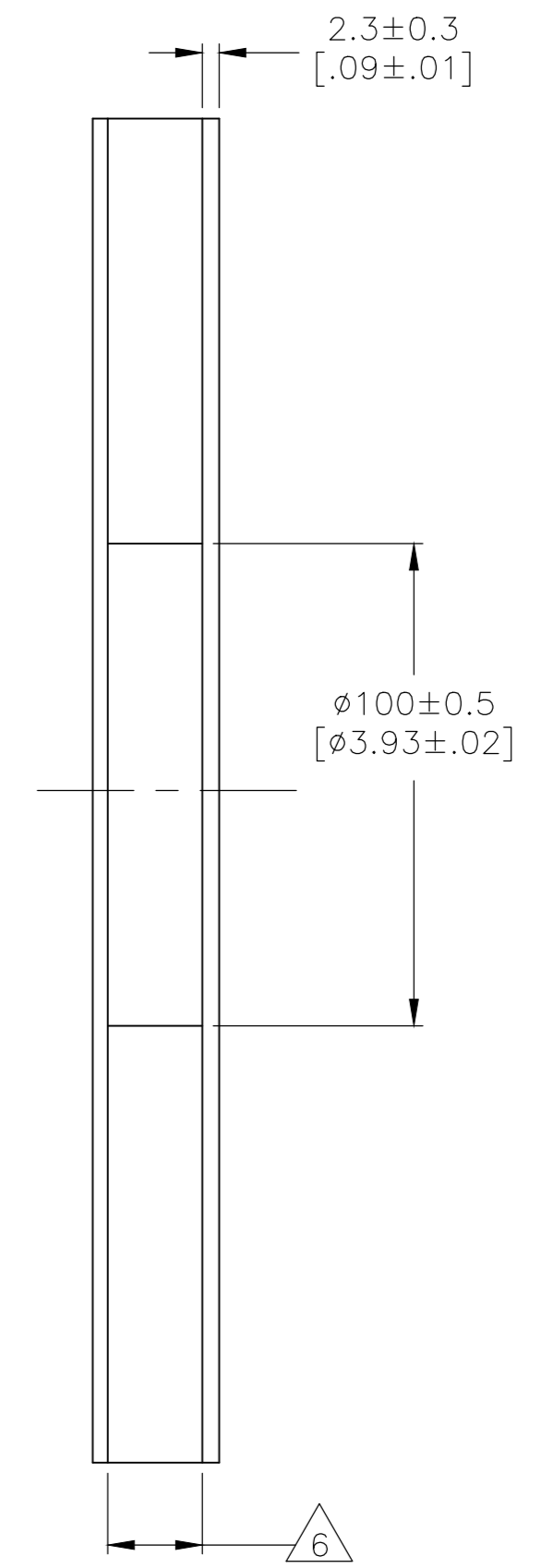


2.30 ± 0.20
 $[\ .090 \pm .007]$

10.75 ± 0.30
 $[\ .423 \pm .012]$

$\phi 13.50 \pm 0.50$
 $[\ \phi .531 \pm .020]$

DETAIL A (5:1)



2.3 ± 0.3
 $[\ .09 \pm .01]$

$\phi 100 \pm 0.5$
 $[\ \phi 3.93 \pm .02]$

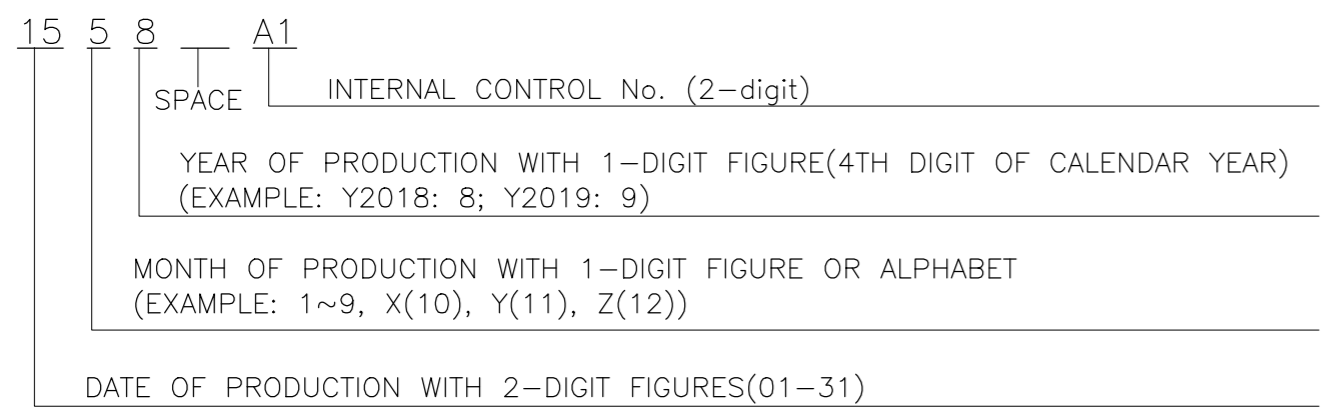
6

DETAIL A

-----CONTINUATION OF SHEET 1

7 SEE PLATING DETAIL FOR DEFINITION OF CONTACT PLATING SURFACES

8 LOT CODE MARKING





9. STICK A BAR CODE LABEL OF 40mm x 83mm TO EACH REEL.


THIS DRAWING IS A CONTROLLED DOCUMENT.		DWN M.BINNER	30AUG07		
DIMENSIONS: mm [INCHES]		CHK M.SARVER	-		
TOLERANCES UNLESS OTHERWISE SPECIFIED:		APVD M.SARVER	-	NAME	
0 PLC ± - 1 PLC ± - 2 PLC ± 0.30[.012] 3 PLC ± - 4 PLC ± - ANGLES ± -		PRODUCT SPEC	-	DIP SWITCH, ADF-SMT SERIES, SPECIAL	
MATERIAL		APPLICATION SPEC	-	SIZE	A2
FINISH		WEIGHT	-	CAGE CODE	-
		CUSTOMER DRAWING	-	DRAWING NO	C=1977208
		SCALE	4:1	SHEET	2 of 3
		REV	G	RESTRICTED TO	-


REVISIONS				
P	LTR	DESCRIPTION	DATE	APVD
-	-	SEE SHEET 1	-	-

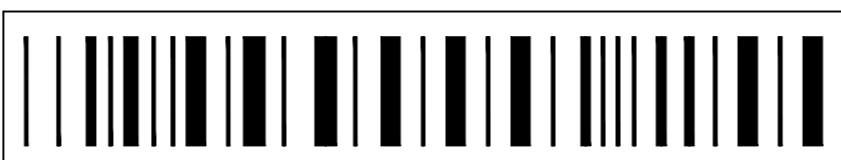
BAR CODE LABEL DETAILS

TE Part Number: 
1977208-3

Part Description: 
ADF04SATR04900=4POS DIP


TE Connectivity: 

Qty: 
130

Date Code: 
1948

40 mm

83 mm

THIS DRAWING IS A CONTROLLED DOCUMENT.		DWN M.BINNER	30AUG07	 TE Connectivity	
DIMENSIONS: mm [INCHES]		CHK M.SARVER	APVD M.SARVER		
TOLERANCES UNLESS OTHERWISE SPECIFIED:		PRODUCT SPEC		NAME -	
<ul style="list-style-type: none"> 0 PLC ± - 1 PLC ± - 2 PLC ± 0.30[.012] 3 PLC ± - 4 PLC ± - ANGLES ± - 		APPLICATION SPEC		DIP SWITCH, ADF-SMT SERIES, SPECIAL	
MATERIAL	FINISH	WEIGHT	-	SIZE A2	CAGE CODE -
-		-		DRAWING NO C=1977208	RESTRICTED TO -
CUSTOMER DRAWING			SCALE NTS	SHEET 3 of 3	REV G

X-ON Electronics

Largest Supplier of Electrical and Electronic Components

Click to view similar products for [DIP Switches/SIP Switches](#) category:

Click to view products by [TE Connectivity](#) manufacturer:

Other Similar products are found below :

[78M03S](#) [79B10T](#) [8136-475G4T](#) [G7G-1A2-CB-DC12](#) [A7SS-M](#) [DBP 2110](#) [DBP 2112](#) [DBS1008](#) [DHN02FTVTR](#) [DHS108](#) [DRD16CSE04](#)
[DRR60016](#) [DRS4016](#) [BD06E](#) [1825008-1](#) [1825444-1](#) [25.350.0653.0](#) [LA2-DC12](#) [SBS 5004 TG](#) [SDA10H1BDA](#) [97R06ST](#) [A2C-2A5](#)
[1825444-7](#) [ADE08SA04](#) [ADE12S04](#) [2-1825058-8](#) [CCVA 2.5/ 4-G-5.08](#) [P26THRR32](#) [25.330.0653.1](#) [25.352.0353.0](#) [IKN0600000](#)
[IKN0800000](#) [LA2-002-DC24](#) [DBP2008](#) [DBS1003](#) [DBS2008](#) [438872000](#) [DRD10CRAE04](#) [DRS1604](#) [DSR02T](#) [DSS 208 N](#) [5-1825033-1](#)
[106-SDN06-EV](#) [1-1437507-6](#) [E2FMX2D1M1TGJ03M](#) [E3ZMCT81M1TJ03M](#) [NDI10H](#) [NDIR03ST](#) [204-3STR](#) [EPM02FV](#) [2161394-2](#)