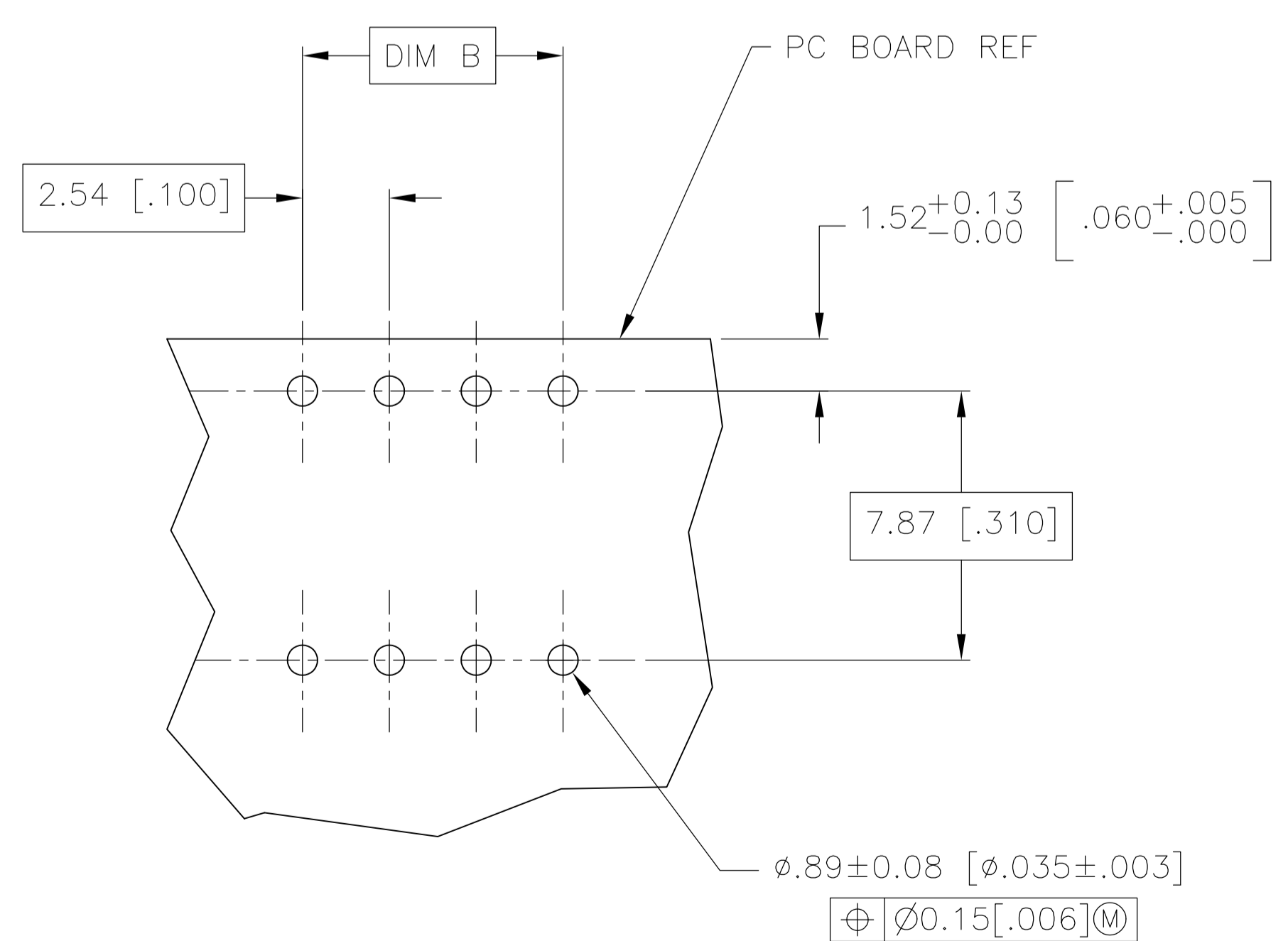
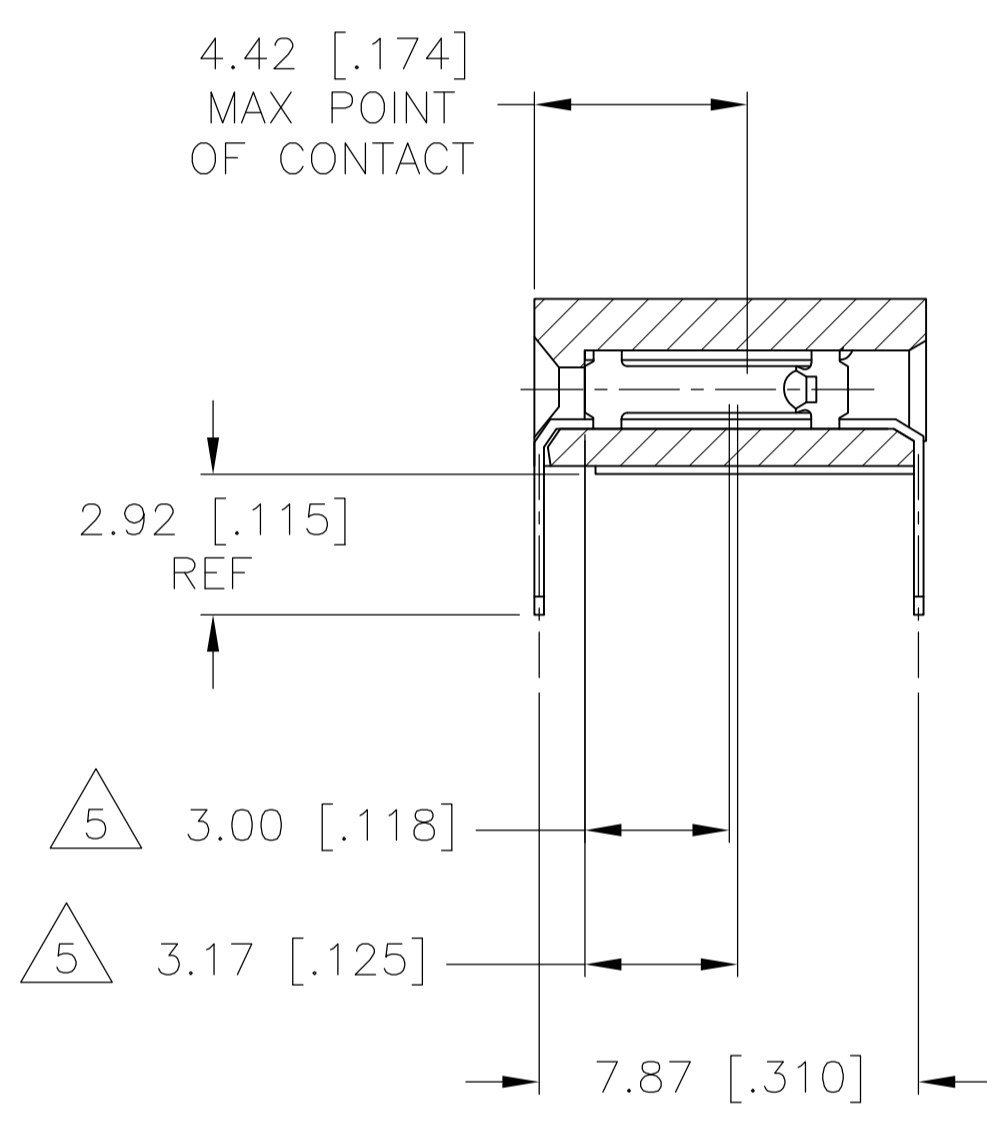
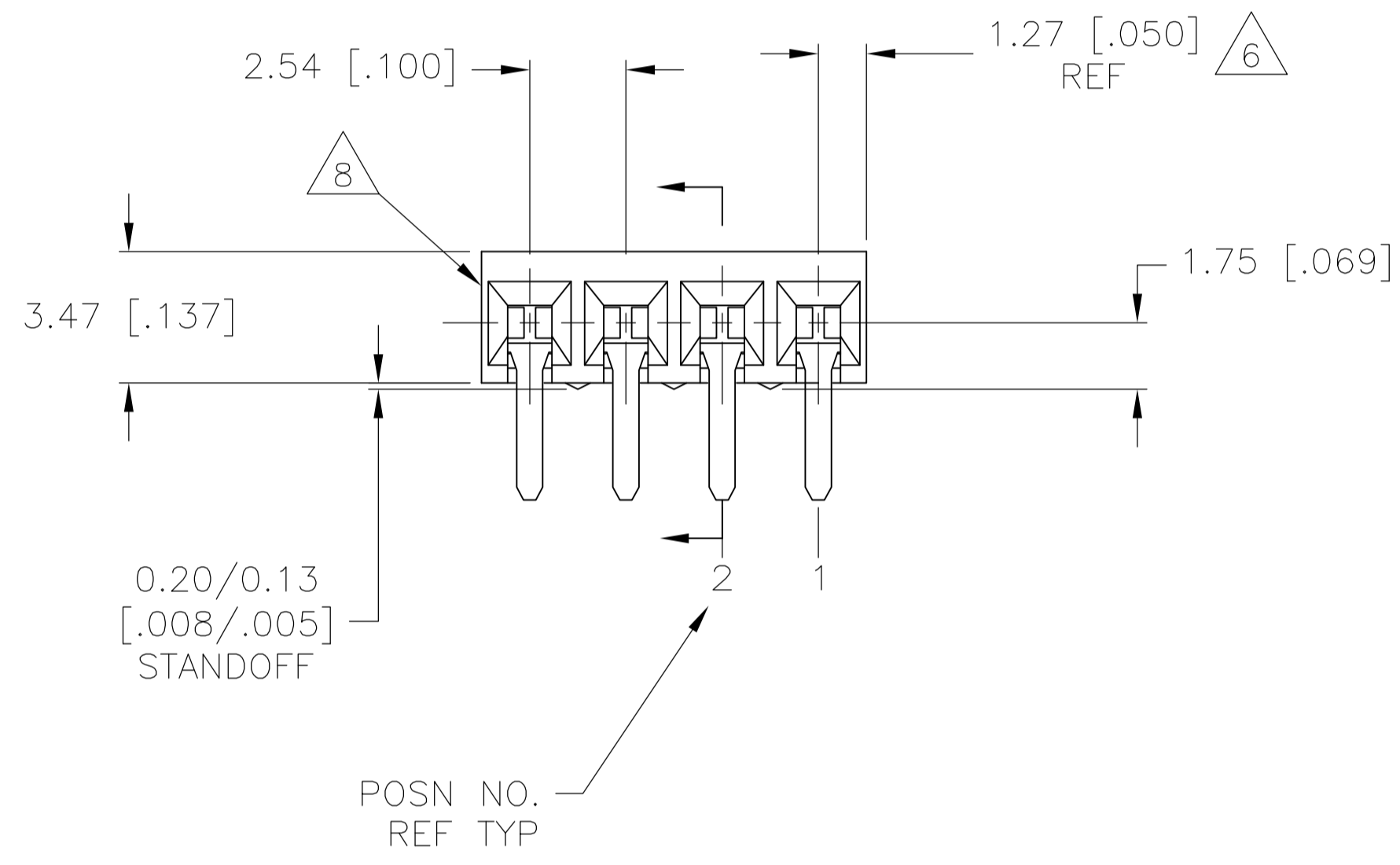


- 1 HOUSING MATERIAL: GLASS FILLED POLYESTER, COLOR- BLACK
- 2 CONTACT MATERIAL: PHOSPHOR BRONZE
- 3 CONTACT FINISH: 0.00025[.000010] THK DUPLEX PLATED GOLD ON CONTACT AREA, 0.00127[.000050] MIN THK BRIGHT TIN-LEAD OR TIN ON SOLDERLEADS, ALL OVER 0.00127[.000050] NICKEL
- 4 MOLDED IN ARROW DESIGNATES THE MATING FACE OF THE CONNECTOR
- 5 POINT OF MEASUREMENT FOR PLATING THICKNESS OF CONTACT AREA
- 6 DIMENSIONS PERTAIN TO HOUSING CAVITY CENTERLINES
- 7 DATE CODE AND PART NUMBER MARKED IN APPROXIMATE LOCATION SHOWN.
- 8 PIN #1 INDICATOR, WHITE DOT



RECOMMENDED PC BOARD LAYOUT

17.78[.700]	20.32[.800]	8	1977215-7
B	A	NO. OF POSN	ASSEMBLY PART NUMBER

THIS DRAWING IS A CONTROLLED DOCUMENT.		DIN M. BINNER 01NOV07	Tyco Electronics Corporation Harrisburg, PA 17105	
DIMENSIONS: 1/16		CHK J. OLSON 01NOV07	NAME AMPMODU MOD II RECEPTACLE ASSEMBLY, HORIZONTAL, .100 CL, SINGLE ROW, CLOSED-ENTRY, SHORT POINT OF CONTACT, END-TO-END STACKABLE	
TOLERANCES UNLESS OTHERWISE SPECIFIED:		APVD J. OLSON 01NOV07	PRODUCT SPEC	
0. PLC ± -		APPLICATION SPEC		
1. PLC ± -		SIZE CAGE CODE DRAWING NO		
2. PLC ± -		WEIGHT		
3. PLC ± 0.13[.005]		A1 00779 C=1977215		
4. PLC ± -		CUSTOMER DRAWING		
ANGLES ± -		SCALE 5:1 SHEET 1 OF 1 REV A		

X-ON Electronics

Largest Supplier of Electrical and Electronic Components

Click to view similar products for [Headers & Wire Housings](#) category:

Click to view products by [TE Connectivity](#) manufacturer:

Other Similar products are found below :

[95000-104TRLF](#) [10135584-644402LF](#) [DF62W-EP2022PCA](#) [95000-106TRLF](#) [DF62W-2022SCA](#) [DF62W-EP2022PC](#) [2203348](#) [DF62W-2022SC](#) [1084018](#) [1029039](#) [1084017](#) [802-10-012-10-002000](#) [1112640](#) [1112639](#) [891-007-9SS-BST1T](#) [000-34000](#) [0008550134](#) [0009482033](#) [0009507031](#) [57102-F02-18ULF](#) [57102-S06-03LF](#) [57202-S52-04LF](#) [PCN6-15S-2.5E](#) [0039019024](#) [58102-G61-06LF](#) [582553-1](#) [0009485154](#) [0009508121](#) [0022285053](#) [0050291907](#) [018731A](#) [LY20-4P-DT1-P1E-BR](#) [02.125.8002.8](#) [60101931](#) [60598-1 \(Cut Strip\)](#) [M1625-3R/100](#) [61062-3](#) [61082-181009](#) [CSU011177004](#) [636-1427](#) [638009-1](#) [641938-9](#) [641991-4](#) [644168-1](#) [644827-2](#) [647662-1](#) [65039-019ELF](#) [65692-001LF](#) [65781-018](#) [65781-047](#)