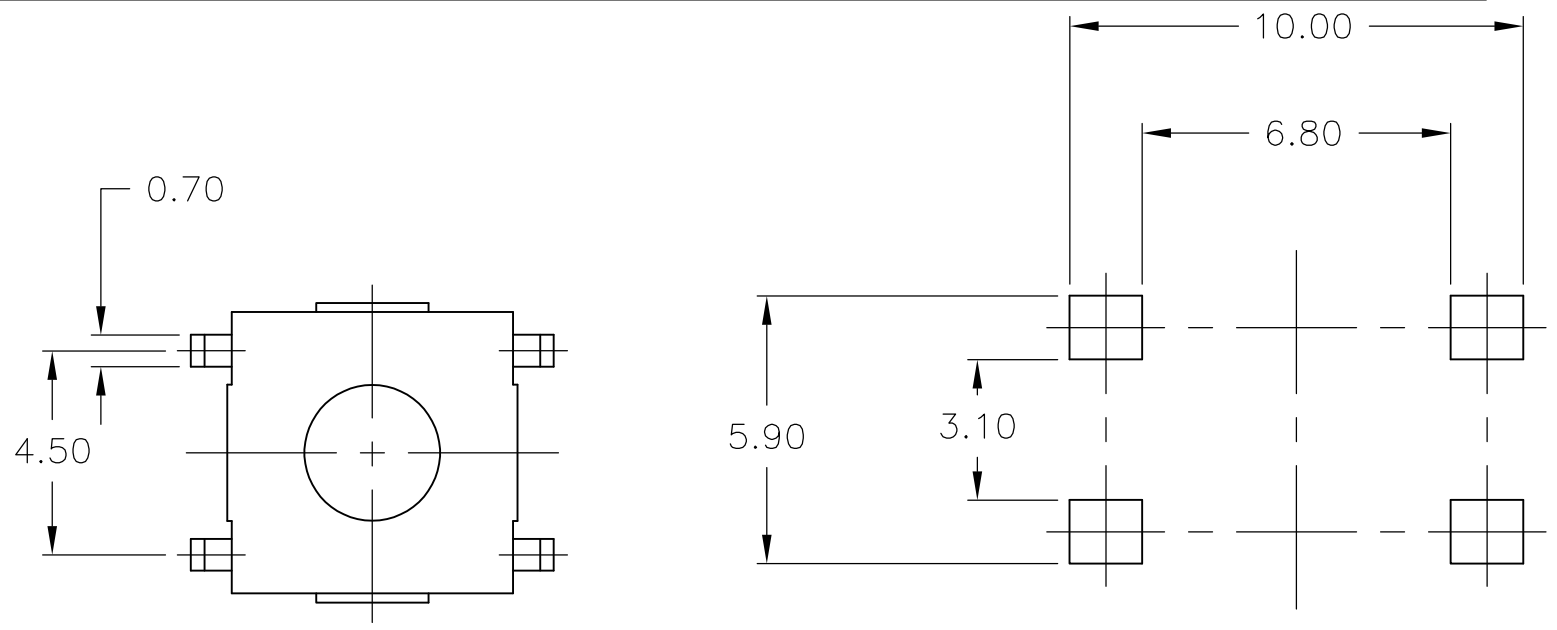
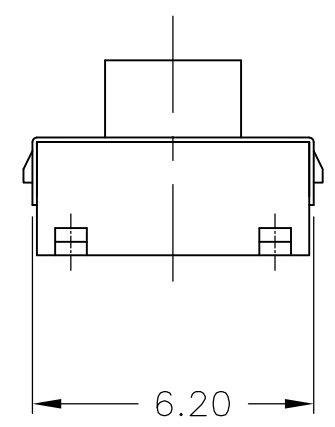
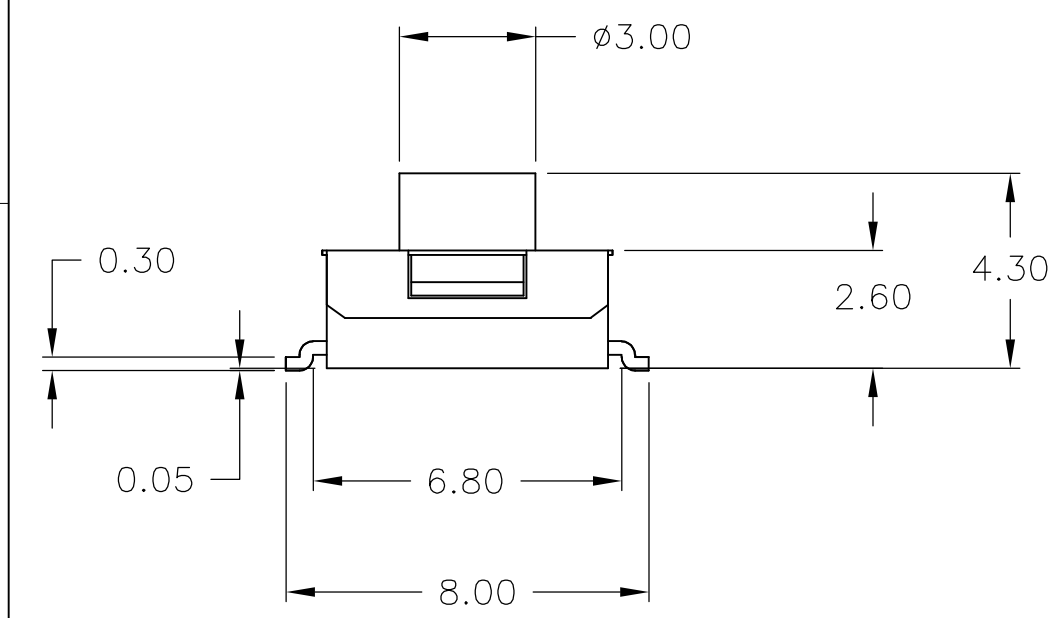


THIS DRAWING IS UNPUBLISHED. RELEASED FOR PUBLICATION
 © COPYRIGHT - By - ALL RIGHTS RESERVED.

REVISIONS					
P	LTR	DESCRIPTION	DATE	DWN	APVD
	A2	REVISED PER ECO-16-018632	05APR2017	SK	PO



P C B LAND DIMENSION



SPECIFICATIONS:

MATERIALS:

CASE, NYLON 46 UL94 V-0, IVORY
 ACTUATOR, NYLON PA6T UL94V-0, PINK FINISH
 COVER, COPPER ALLOY, TIN FINISH
 TERMINAL/FIXED CONTACT, COPPER ALLOY-SILVER FINISH
 MOVING CONTACT, STAINLESS STEEL-SILVER FINISH

ELECTRICAL:

MAX CONTACT RATING, 50MILLIAMPS@24V DC
 MIN CONTACT RATING, 1MICROAMP@1V DC
 CONTACT RESISTANCE, 100 MILLIOHMS MAX
 INSULATION RESISTANCE, 100 MEGOHM MIN.
 DIELECTRIC STRENGTH, 500 V AC FOR 1 MINUTE
 LIFE EXPECTANCY, 1,000,000 CYCLES

MECHANICAL:

ACTUATION FORCE, 260 +/-50GF
 ACTUATION TRAVEL, 0.25 +0.20/-0.10
 LIFE EXPECTANCY, 1,000,000, (2 CYCLES PER SECOND AND 150% ACTUATION FORCE)

ENVIRONMENTAL:

OPERATING TEMPERATURE, -40 TO +105° C
 STORAGE TEMPERATURE, -40 TO +105° C
 SOLDERABILITY, EIA-RS-186-9E, OR MIL-STD-202F
 RESISTANCE TO SOLDER HEAT, 260° C FOR 10SEC-PER 109-201, CONDITION B
 1.NO CHANGE IN INITIAL ELECTRICAL AND MECHANICAL CHARACTERISTICS

NOTES:

- 1 ALL MATERIALS AND FINISHES SHALL COMPLY WITH EU DIRECTIVE 2002/95/EC OF 27JAN2003 (ROHS)

()		- INDICATES MOMENTARY POSITION	
CIRCUIT CHARACTERISTICS			
CONTACT POSITION		CIRCUIT DIAGRAM	
OFF	(ON) 1-3 2-4		

OBSOLETE	TAPE AND REEL	1,000,000	PINK	260 +/-50g	FSM4LPASTR	1977264-2
	BULK	1,000,000	PINK	260 +/-50g	FSM4LPAS	1977264-1
	PACKAGING	LIFE CYCLE	ACTUATOR COLOR	ACTUATION FORCE	T&B P/N	TE P/N
THIS DRAWING IS A CONTROLLED DOCUMENT.			DWN M.BINNER 24JAN08	TE Connectivity TACTILE SWITCH 6X6mm LOW PROFILE, SURFACE MOUNT		
DIMENSIONS: mm			CHK M.SARVER 24JAN08			
TOLERANCES UNLESS OTHERWISE SPECIFIED:			APVD M.SARVER 24JAN08			
0 PLC ± - 1 PLC ± - 2 PLC ± 0.30 3 PLC ± - 4 PLC ± - ANGLES ± -			PRODUCT SPEC			
MATERIAL			FINISH	APPLICATION SPEC	SIZE	CAGE CODE
-			-	WEIGHT	DRAWING NO	
				0	A300779	
CUSTOMER DRAWING				SCALE	SHEET	REV
				6:1	1 OF 2	A2

THIS DRAWING IS UNPUBLISHED.

RELEASED FOR PUBLICATION

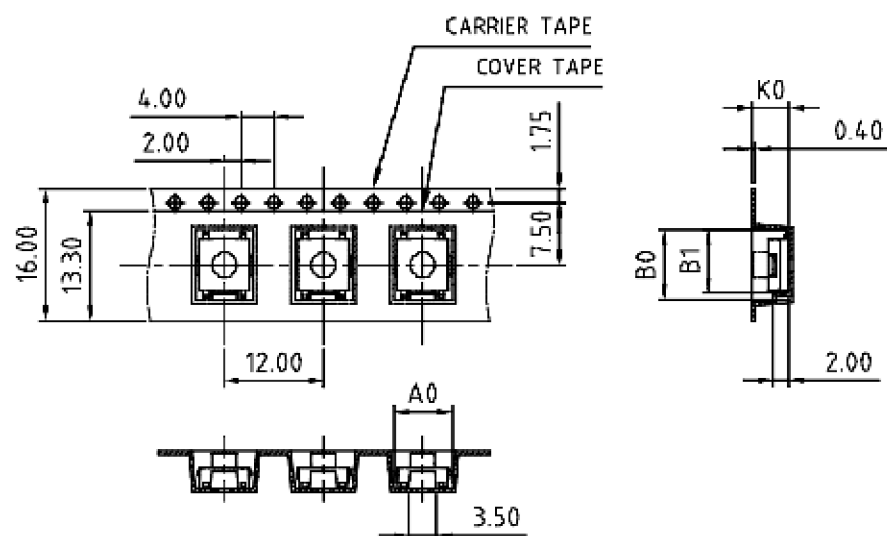
ALL RIGHTS RESERVED.

© COPYRIGHT - By -

REVISIONS

P	LTR	DESCRIPTION	DATE	DWN	APVD
-	-	SEE SHEET 1	-	-	-

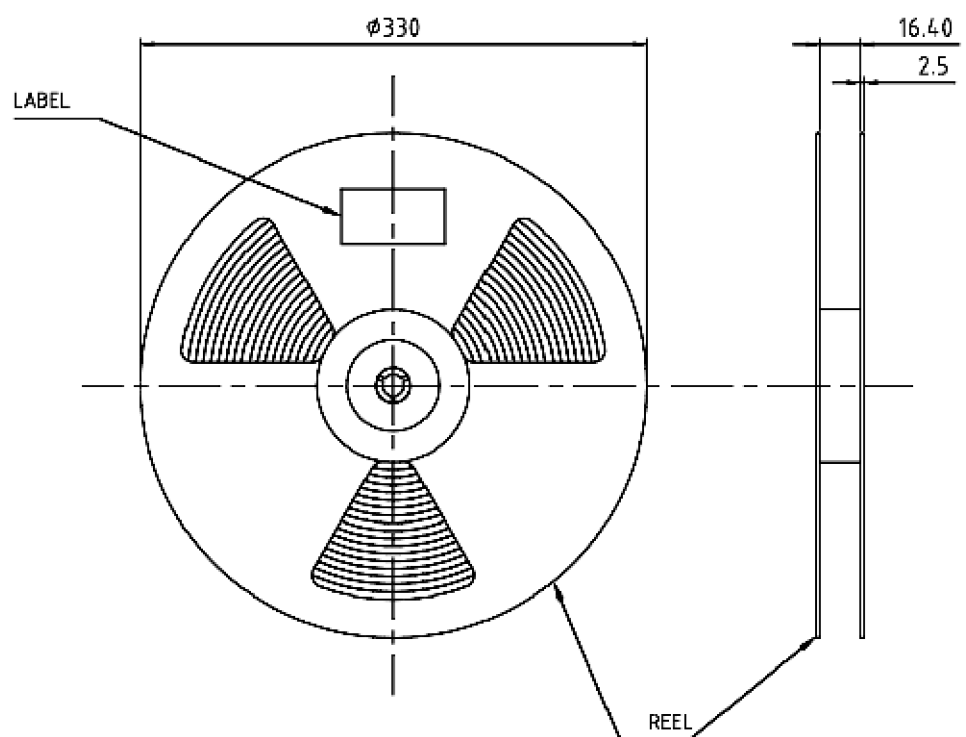
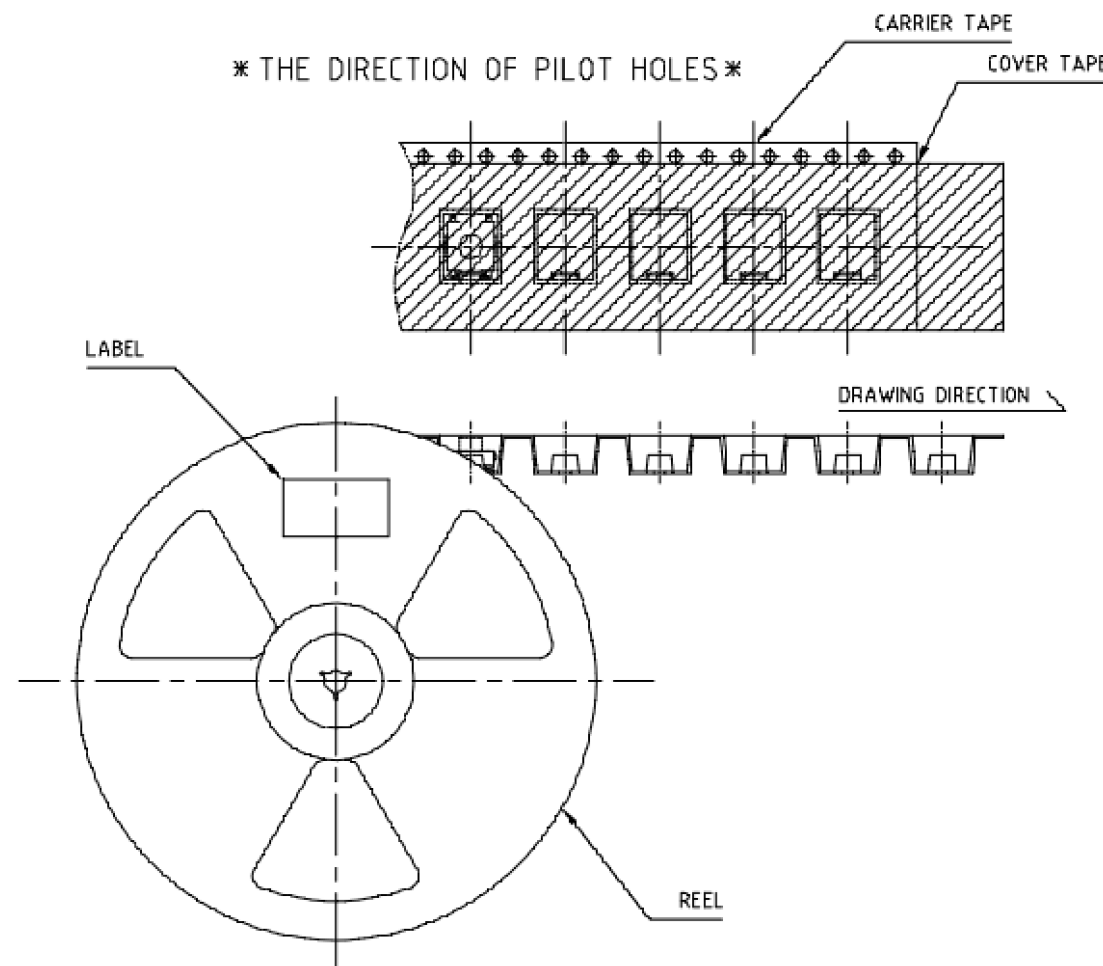
* THE DIMENSION OF CARRIER TAPE, COVER TAPE AND REEL *



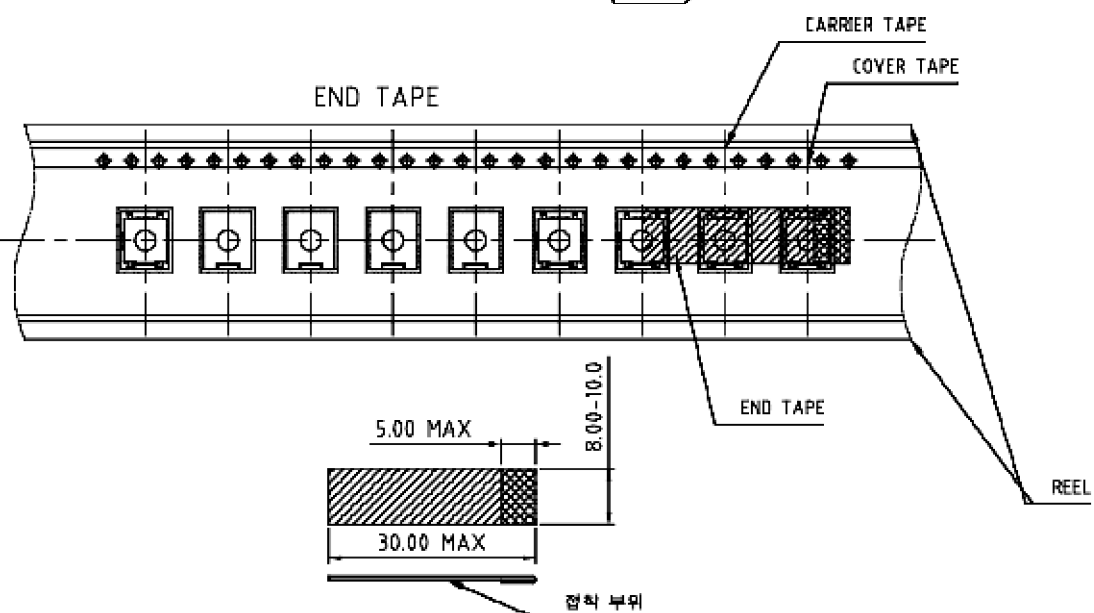
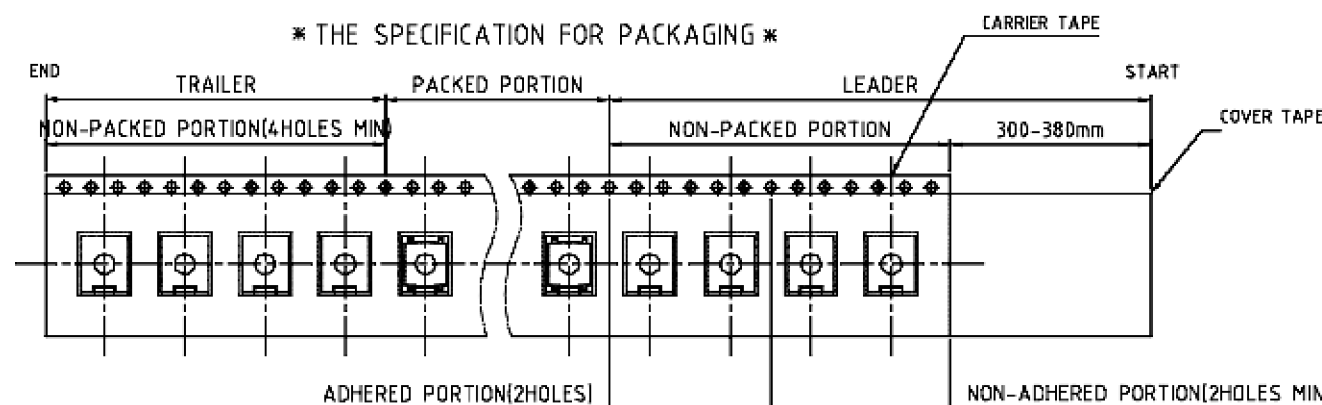
* DIMENSION

구분	치수
A0	7.00mm
B0	8.40mm
B1	7.55mm
K0	4.50mm

* THE DIRECTION OF PILOT HOLES *



* THE SPECIFICATION FOR PACKAGING *



THIS DRAWING IS A CONTROLLED DOCUMENT.

DIMENSIONS: mm	TOLERANCES UNLESS OTHERWISE SPECIFIED:
	0 PLC ± -
	1 PLC ± -
	2 PLC ± 0.30
	3 PLC ± -
	4 PLC ± -
	ANGLES ± -
MATERIAL	FINISH
-	-

DWN	M.BINNER	24JAN08
CHK	M.SARVER	24JAN08
APVD	M.SARVER	24JAN08
PRODUCT SPEC	-	-
APPLICATION SPEC	-	-
WEIGHT	-	-
CUSTOMER DRAWING		



TACTILE SWITCH 6X6mm
LOW PROFILE,
SURFACE MOUNT

NAME	SIZE	CAGE CODE	DRAWING NO	RESTRICTED TO
	A3	00779	C-1977264	-
SCALE	SHEET	REV		
6:1	2 OF 2	A2		

X-ON Electronics

Largest Supplier of Electrical and Electronic Components

Click to view similar products for [Tactile Switches](#) category:

Click to view products by [TE Connectivity](#) manufacturer:

Other Similar products are found below :

[5GTH92001](#) [1-1977120-4](#) [ADTSA62NV](#) [ADTSA62RV](#) [ADTSA63KV](#) [ADTSA644NV](#) [ADTSMW66NV](#) [ADTSMW67RV](#) [B3F-3123](#) [B3F-6055A](#) [B3F-B32-01-KIT](#) [1977177-8](#) [1977266-1](#) [ADTS644KV](#) [ADTSA61RV](#) [ADTSA62KV](#) [ADTSA63NV](#) [ADTSA63RV](#) [ADTSM21NSVTR](#) [ADTSM32NVTR](#) [ADTSM63SVTR](#) [ADTSM644KVTR](#) [ADTSMW64RV](#) [ADTSMW69NV](#) [FSMRA4JHA04](#) [GS4.70F300QP](#) [3ESH9R](#) [506E00201](#) [MJTP1164TR](#) [3FTL600RAS](#) [3FTL640RAS](#) [Y96K132V0FPLFS](#) [101-TS5022T1601-EV](#) [5GSH92001](#) [KSJ0A231](#) [80SH LFG](#) [ADTSM31NVTR](#) [EVQ-P1D05K](#) [MJTP1162TR](#) [ADTSM63KV](#) [2-1977120-7](#) [TSJW-5.2-260-TR](#) [KMT011MNGJLHS](#) [B3WN6002S](#) [ADTSA648RV](#) [70-201.0](#) [ADTSG648NV](#) [ADTSM62KSVTR](#) [ATA600VTR](#) [ADTSG66RV](#) [ADTS61NV](#)