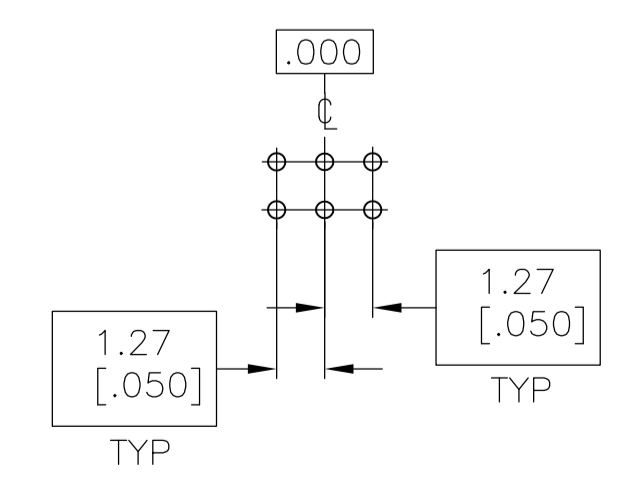
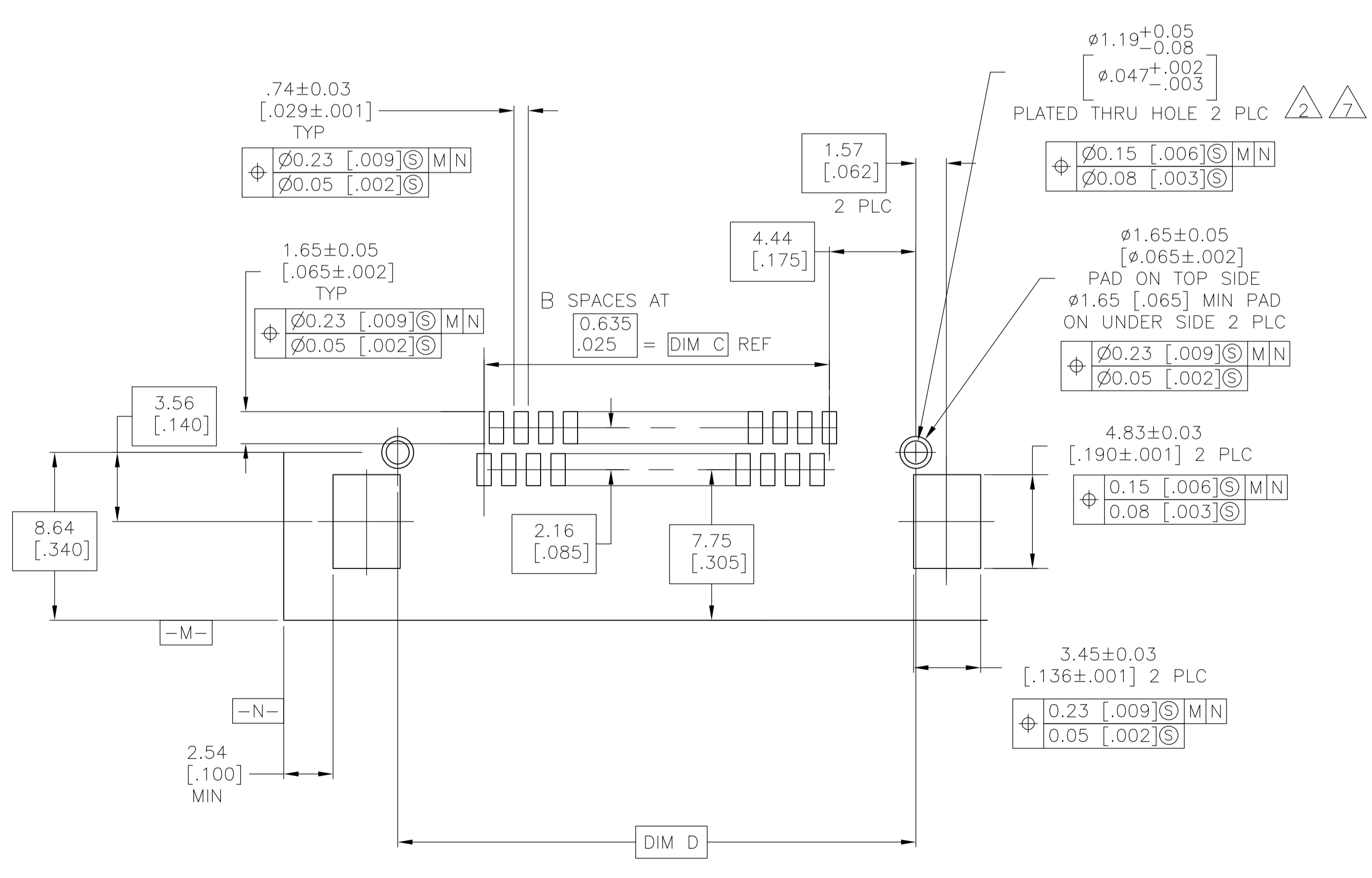


- 1 0.00076 [.000030] GOLD IN LOCALIZED PLATE AREA  
0.00381 [.000150] TIN-LEAD ON SOLDER LEADS  
ALL OVER 0.00127 [.000050] NICKEL
- 2 USE 1.32±0.02 [.0520±.0010] DRILLED HOLE (#55 DRILL)  
FINISH TO BE TIN-LEAD OVER 0.02 [.001] MIN COPPER
- 3 PLATING: 0.0038 [.000150] TIN-LEAD OVER 0.00127 [.000050] NICKEL
- 4 SERRATIONS OPTIONAL THIS SURFACE.
- 6 PLATING: 0.0038 (.00015) TIN OVER .00127 (.000050) NICKEL.
- 7 USE 1.32+/-0.02 (.052+/-0.0010) DRILLED HOLE (#55 DRILL)  
FINISH TO BE TIN OVER 0.02 (.001) MIN COPPER



BASIC DIMENSIONS FOR EVEN NO OF SPACES (SEE TABLE)

FINISH	NO. OF SPA (SEE DETAIL R)	D	C	B	A	NUMBER OF POSITIONS	PART NUMBER
1 3	14	26.67 [1.050]	18.42 [.725]	29	28.70 [1.130]	30	1977276-2
1 3	4	13.97 [.550]	5.72 [.225]	9	16.00 [.630]	10	1977276-1

THIS DRAWING IS A CONTROLLED DOCUMENT.		DIN M. BINNER 13NOV07	Tyco Electronics Corporation Harrisburg, PA 17105-3608	
DIMENSIONS: mm [INCHES]	TOLERANCES UNLESS OTHERWISE SPECIFIED:	CHK N. EPPLEY 13NOV07	NAME	
0 PLC ± -	1 PLC ± -	APPD N. EPPLEY 13NOV07	PRODUCT SPEC	
2 PLC ± ± 0.13[.005]	3 PLC ± ± -	NAME 108-1332	ASSEMBLY, HEADER, RIGHT ANGLE, DOUBLE ROW, AMPMODU 50/50 GRID CONNECTOR	
4 PLC ± ± -	ANGLES ± ± -	APPLICATION SPEC 114-7010	SIZE A1	CAGE CODE DRAWING NO 00779
MATERIAL: HOUSING: LCP, COLOR BLACK; CONTACT: BRASS; HOLD-DOWN: COPPER ALLOY	FINISH: SEE TABLE	WEIGHT -	SCALE 5:1	RESTRICTED TO
CUSTOMER DRAWING		DRAWING NO 1977276	SHEET 1 OF 1	REV A2

RECOMMENDED BOARD LAYOUT  
SCALE 5:1

## X-ON Electronics

Largest Supplier of Electrical and Electronic Components

*Click to view similar products for [Headers & Wire Housings](#) category:*

*Click to view products by [TE Connectivity](#) manufacturer:*

Other Similar products are found below :

[892-18-020-10-001101](#) [58102-G61-06LF](#) [582553-1](#) [0009485154](#) [009176003701906](#) [0050291907](#) [LY20-4P-DT1-P1E-BR](#) [02.125.8002.8](#)  
[609-3404](#) [61062-3](#) [61082-181009](#) [622-3653LF](#) [63453-116](#) [636-1030](#) [636-1427](#) [636-3427](#) [636-4007](#) [641938-9](#) [641991-4](#) [644827-2](#) [65817-](#)  
[010LF](#) [65817-015LF](#) [65863-015LF](#) [66207-023LF](#) [67095-007LF](#) [67601157](#) [68645-018](#) [68648-049](#) [70.362.1628.0](#) [70-4210](#) [70-4226B](#) [70-](#)  
[4853B](#) [707-5020](#) [707-5028](#) [71.350.2428.0](#) [71918-208LF](#) [71961-016LF](#) [733-134](#) [733-162](#) [754199-000](#) [760-3052](#) [787-8014-00](#) [79531-3000](#)  
[FCN-360C032-B](#) [FCN-367T-T012/H](#) [FCN-723D010/2](#) [80.063.4001.1](#) [800-90-001-10-001000](#) [800-90-010-10-002000](#) [801-43-002-10-013000](#)