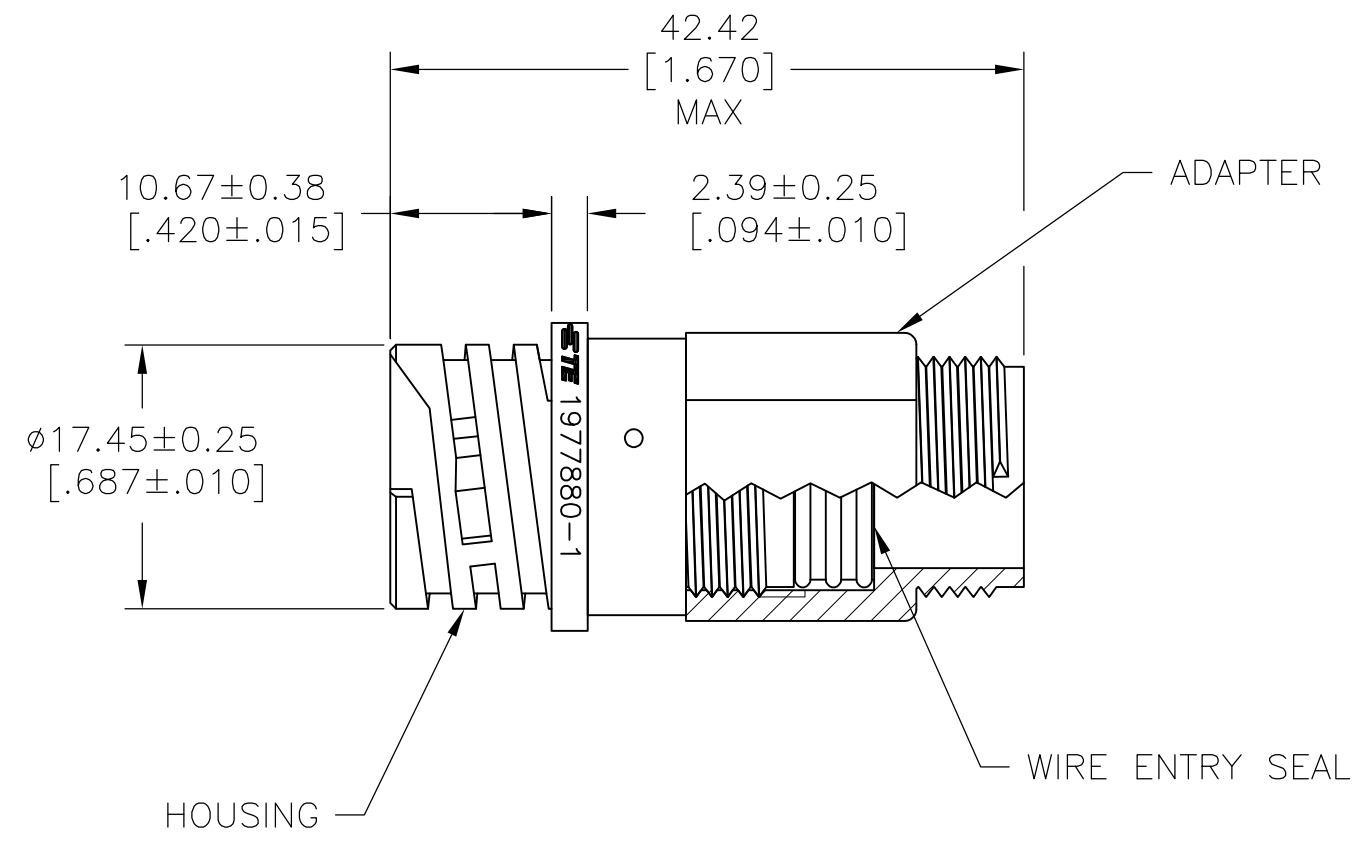
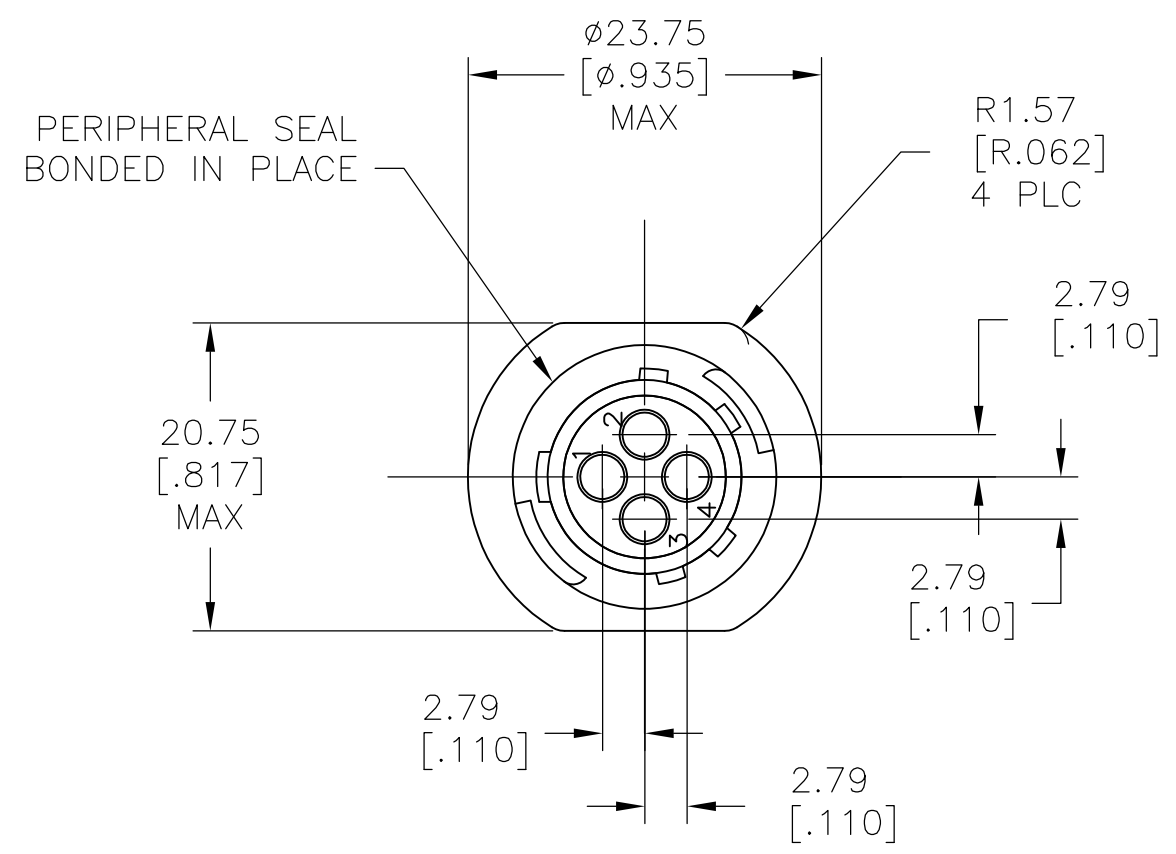


THIS DRAWING IS UNPUBLISHED. RELEASED FOR PUBLICATION
 © COPYRIGHT - By - ALL RIGHTS RESERVED.

LOC	DIST	REVISIONS			
P	LTR	DESCRIPTION	DATE	DWN	APVD
FT	0	A	NEW DRAWING PER ECO-12-018480	08NOV12	KH MZ

- 1 HOUSING & ADAPTER: NYLON 6/6, BLACK.
WIRE ENTRY SEAL: ELASTOMER, RED.
- 2 THIS CONNECTOR WILL ACCEPT
FOUR (4) MULTIMATE SOCKET CONTACTS.



1977880-1
 PART NUMBER

THIS DRAWING IS A CONTROLLED DOCUMENT.		DWN KIRAN HOLAL 08NOV12	TE Connectivity		
DIMENSIONS: MM (INCHES)		CHK M ZITTO 08NOV12			
TOLERANCES UNLESS OTHERWISE SPECIFIED:		APVD M ZITTO 08NOV12	NAME CPC FREE HANGING RECEPTACLE ASSEMBLY, SERIES 1, SEALED, 11-4, REVERSE SEX, UV RESISTANT		
0 PLC ± -		PRODUCT SPEC 108-1579	SIZE	CAGE CODE	DRAWING NO
1 PLC ± -		APPLICATION SPEC 114-10038	A3	00779	C-1977880
2 PLC ± 0.13 [.005]		WEIGHT -	RESTRICTED TO -		
3 PLC ± -		MATERIAL 1	SCALE 2:1		
4 PLC ± -			SHEET 1 OF 1		
ANGLES ± -		REV A			
FINISH -		CUSTOMER DRAWING			

X-ON Electronics

Largest Supplier of Electrical and Electronic Components

Click to view similar products for [Standard Circular Connector](#) category:

Click to view products by [TE Connectivity](#) manufacturer:

Other Similar products are found below :

[5M2530B10P](#) [600259N006](#) [600273N007](#) [6134-336-13149](#) [6134-337-11149](#) [6134-337-2390](#) [6134-341-17149](#) [6280-4SG-516](#) [6280-7SG-3DC](#)
[6290](#) [6291A](#) [66200A-10](#) [680-SMG](#) [681-PMG](#) [CXS3102A14S2P](#) [CXS3102A181S](#) [7251-5SG-300](#) [7271-6SG-300](#) [7282-3PG-300-CH3](#) [75-](#)
[474618-01S](#) [75-474618-04P](#) [75-474618-04S](#) [799539-000](#) [MI8-SE](#) [805-005-07NF11-19PC](#) [805-005-07NF15-7PA](#) [8280-4PG-516](#) [8280-7PG-](#)
[519](#) [8282-5PG-519](#) [836783-1](#) [MP-4102-25P-C](#) [862256-1](#) [864019-2](#) [866857-1](#) [867865-1](#) [PT01SP-14-18P](#) [PT08P-14-5S](#) [PTSF06SE-14-12S](#)
[120-1833-000](#) [QCM019PC2DC012B](#) [1-2069279-1](#) [121583-0217](#) [121667-0020](#) [129591AU](#) [1000B BULK](#) [RD10A16-19-P6CS051/1](#)
[RD10A20-31-P8CS051/1](#) [RD16A14-12-S6CS051/2](#) [1301240290](#) [1301240347](#) [1301860202](#)