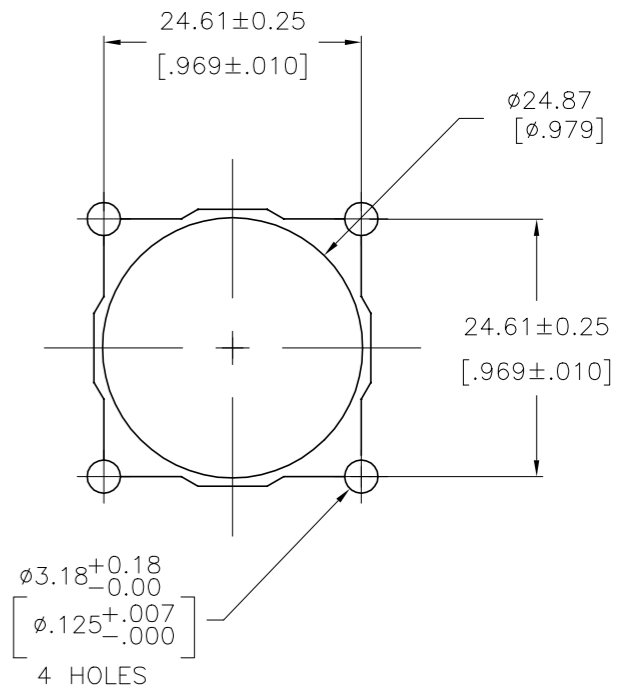
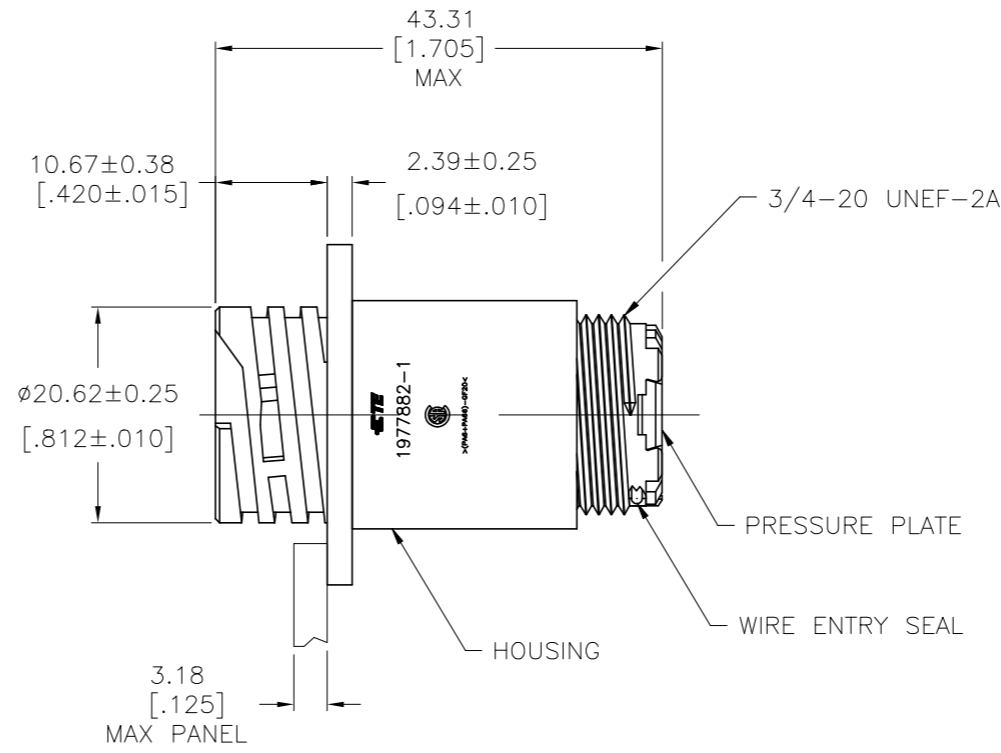
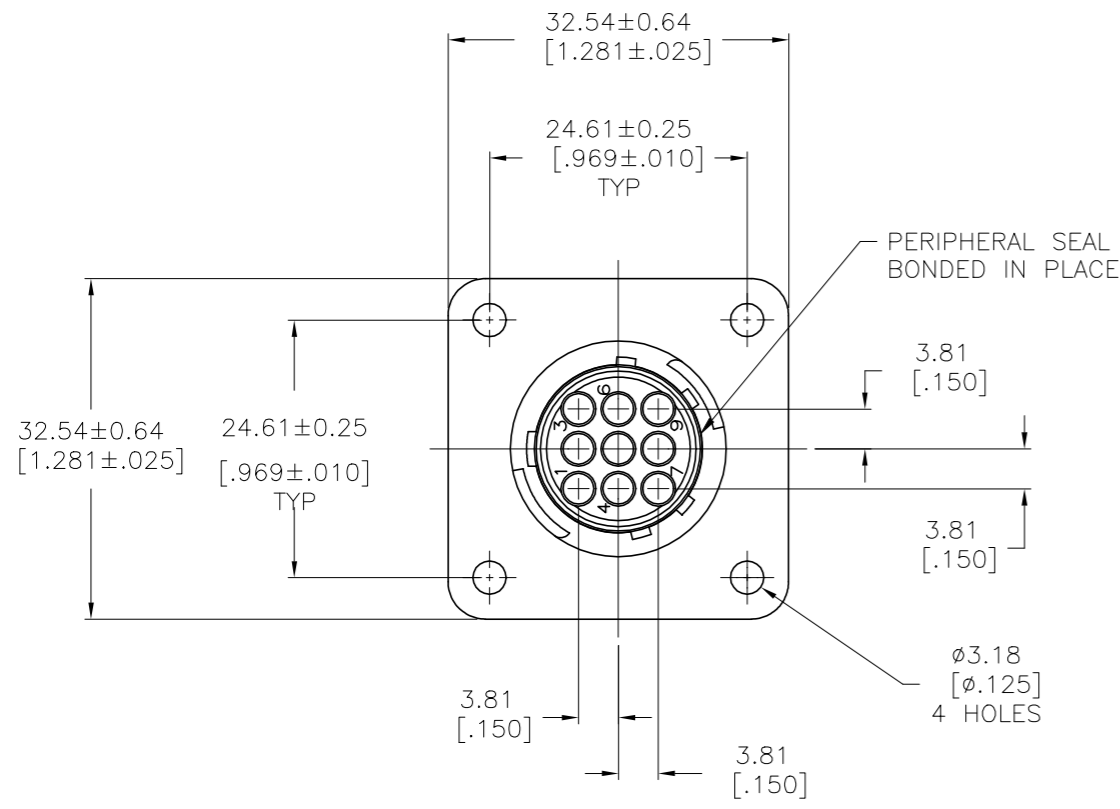


REVISIONS					
P	LTR	DESCRIPTION	DATE	DWN	APVD
A		NEW DRAWING PER ECO-12-018480	08NOV12	KH	MZ
B		REVISED PER ECO-16-006378	03NOV2016	RS	MZ
C		REVISED PER ECO-19-011232	06AUG2019	RS	MZ

- 1 THIS PART WILL ACCEPT NINE (9) MULTIMATE PIN CONTACTS.
- 2 HOUSING AND PRESSURE PLATE: NYLON, BLACK.  
 PERIPHERAL SEAL: ELASTOMER, BLACK.  
 WIRE ENTRY SEAL: ELASTOMER, RED-IRON OXIDE.



RECOMMENDED PANEL CUTOUT

NO	.065-.100	STANDARD	1977882-1
THREADED INSERTS	WIRE INSULATION DIAMETER RANGE	INSULATION	PART NUMBER

THIS DRAWING IS A CONTROLLED DOCUMENT.		DWN KIRAN HOLAL 08NOV12	<b>STE</b> TE Connectivity	
DIMENSIONS: mm [INCHES]		CHK M ZITTO 08NOV12		
TOLERANCES UNLESS OTHERWISE SPECIFIED:		APVD M ZITTO 08NOV12	NAME	
0 PLC	± -	PRODUCT SPEC	CPC SQ FLANGE RCPT ASSY, SERIES 1, SEALED, 13-9, STD SEX, UV RESISTANT	
1 PLC	± -	APPLICATION SPEC	SIZE	RESTRICTED TO
2 PLC	± 0.13 [0.005]	WEIGHT	A2	-
3 PLC	± -	CUSTOMER DRAWING	00779	-
4 PLC	± -	SCALE	C=1977882	-
ANGLES	± -	SCALE	2:1	-
MATERIAL	FINISH	SCALE	2:1	-
2	-	SHEET	1 of 1	-
		REV	C	-

## X-ON Electronics

Largest Supplier of Electrical and Electronic Components

*Click to view similar products for [Standard Circular Connector](#) category:*

*Click to view products by [TE Connectivity](#) manufacturer:*

Other Similar products are found below :

[5M2530B10P](#) [600259N006](#) [600273N007](#) [6134-336-13149](#) [6134-337-11149](#) [6134-337-2390](#) [6134-341-17149](#) [6280-4SG-516](#) [6280-7SG-3DC](#)  
[6290](#) [6291A](#) [66200A-10](#) [680-SMG](#) [681-PMG](#) [CXS3102A14S2P](#) [CXS3102A181S](#) [7271-6SG-300](#) [7282-3PG-300-CH3](#) [75-474618-01S](#) [75-](#)  
[474618-04P](#) [75-474618-04S](#) [799539-000](#) [MI8-SE](#) [805-005-07NF11-19PC](#) [805-005-07NF15-7PA](#) [8280-4PG-516](#) [8280-7PG-519](#) [8282-5PG-](#)  
[519](#) [836783-1](#) [MP-4102-25P-C](#) [862256-1](#) [864019-2](#) [866857-1](#) [867865-1](#) [PT01SP-14-18P](#) [PT08P-14-5S](#) [120-1833-000](#)  
[QCM019PC2DC012B](#) [1-2069279-1](#) [121583-0217](#) [121667-0020](#) [129591AU](#) [1000B BULK](#) [RD10A16-19-P6CS051/1](#) [RD10A20-31-](#)  
[P8CS051/1](#) [RD16A14-12-S6CS051/2](#) [1301240290](#) [1301240347](#) [1301860202](#) [1301240268](#) [1301240275](#)