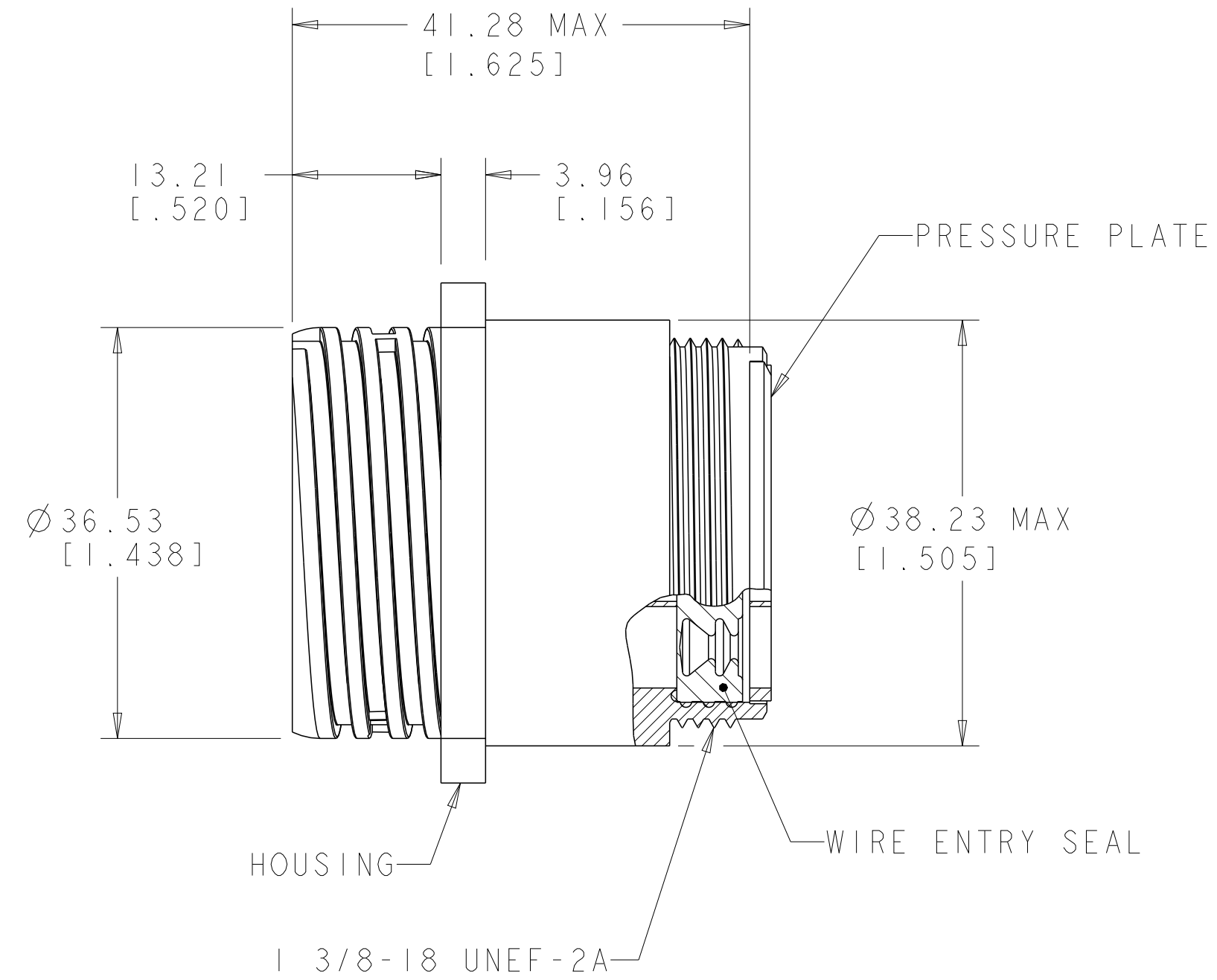
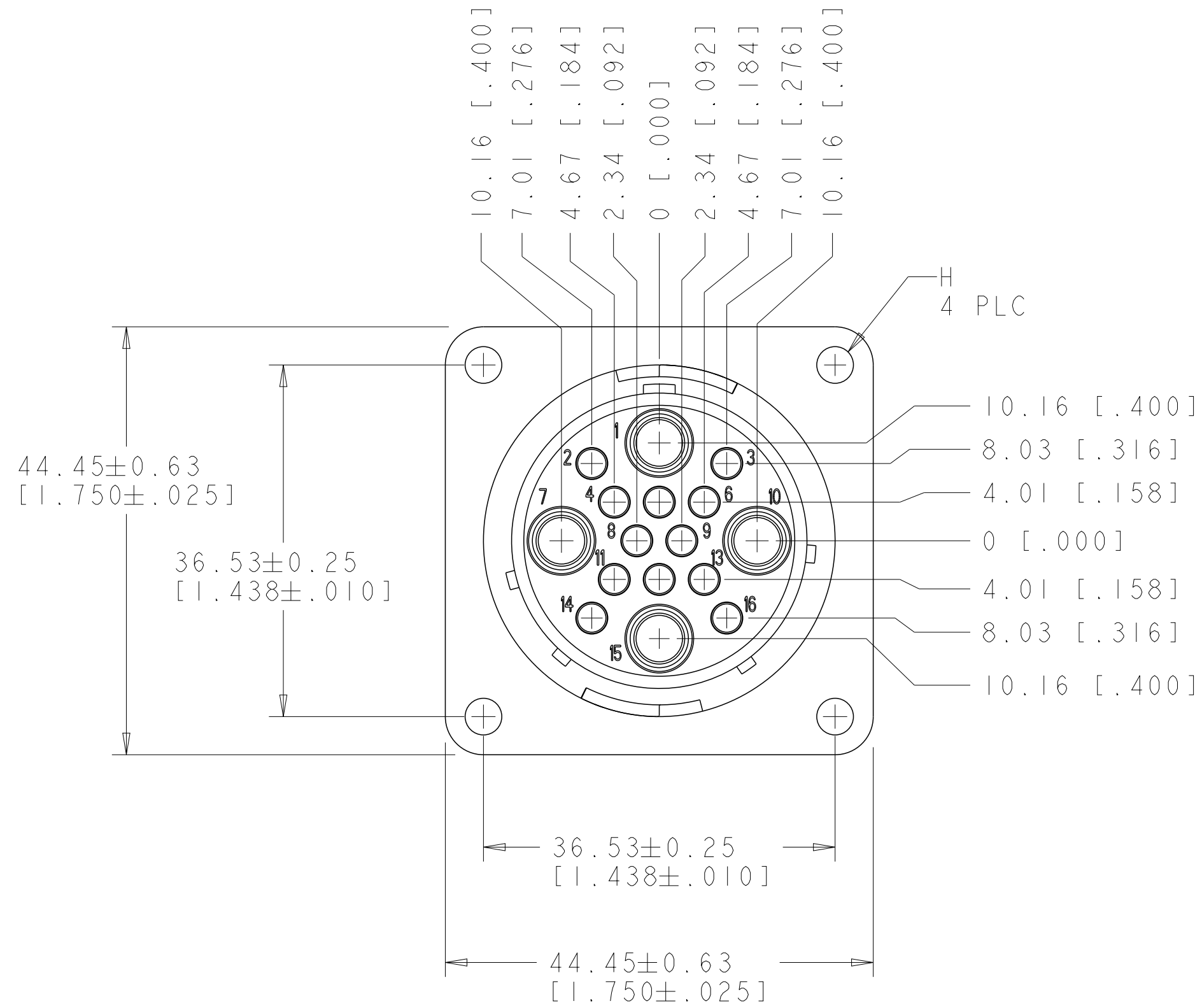
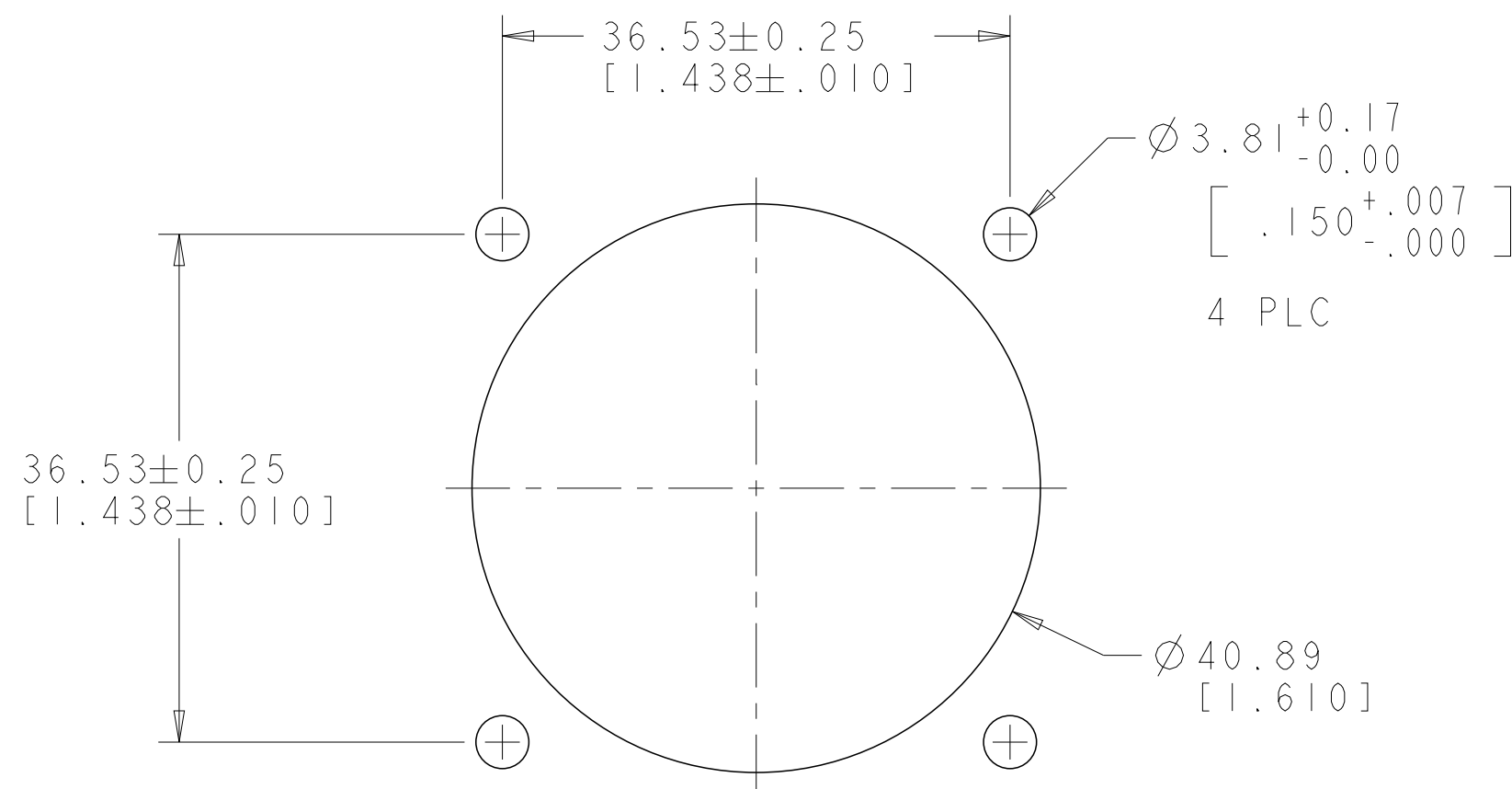


P	LTR	DESCRIPTION	DATE	DWN	APVD
A		NEW DRAWING PER ECO-12-018480	15NOV2012	KH	MZ
B		REVISED PER ECO-19-008872	25JUL2019	RS	MZ



- 1. HOUSING & PRESSURE PLATE: NYLON, BLACK.  
WIRE ENTRY SEAL: ELASTOMER, RED-IRON OXIDE.  
PERIPHERAL SEAL: ELASTOMER, BLACK.
- 2. WILL ACCEPT (12) MULTIMATE PINS AND (4) POWER MALE CONTACTS.



RECOMMENDED PANEL CUTOUT

STD	$3.81 \pm 0.07$ [.150 ± .003]	1977890-1
WIRE ENTRY SEAL	H	PART NUMBER

THIS DRAWING IS A CONTROLLED DOCUMENT.		DWN KIRAN HOLAL 15NOV2012	TE Connectivity
DIMENSIONS: mm [INCHES]		CHK M ZITTO 15NOV2012	
TOLERANCES UNLESS OTHERWISE SPECIFIED:		APVD M ZITTO 15NOV2012	
0 PLC ± 1 PLC ± 2 PLC ±0.02 3 PLC ± 4 PLC ± ANGLES ± FINISH -		NAME CPC SQUARE FLANGE RECEPTACLE ASSEMBLY SERIES 6, SEALED, 23-16, STANDARD SEX, UV RESISTANT PRODUCT SPEC 108-1579 APPLICATION SPEC - WEIGHT -	
MATERIAL		CUSTOMER DRAWING	SIZE A200779 CAGE CODE C-1977890 DRAWING NO 1977890 RESTRICTED TO SCALE 2:1 SHEET 1 OF 1 REV B

## X-ON Electronics

Largest Supplier of Electrical and Electronic Components

*Click to view similar products for [Standard Circular Connector](#) category:*

*Click to view products by [TE Connectivity](#) manufacturer:*

Other Similar products are found below :

[5M2530B10P](#) [600259N006](#) [600273N007](#) [6134-336-13149](#) [6134-337-11149](#) [6134-337-2390](#) [6134-341-17149](#) [6280-4SG-516](#) [6280-7SG-3DC](#)  
[6290](#) [6291A](#) [66200A-10](#) [680-SMG](#) [681-PMG](#) [CXS3102A14S2P](#) [CXS3102A181S](#) [7271-6SG-300](#) [7282-3PG-300-CH3](#) [75-474618-01S](#) [75-](#)  
[474618-04P](#) [75-474618-04S](#) [799539-000](#) [MI8-SE](#) [805-005-07NF11-19PC](#) [805-005-07NF15-7PA](#) [8280-4PG-516](#) [8280-7PG-519](#) [8282-5PG-](#)  
[519](#) [836783-1](#) [MP-4102-25P-C](#) [862256-1](#) [864019-2](#) [866857-1](#) [867865-1](#) [PT01SP-14-18P](#) [PT08P-14-5S](#) [120-1833-000](#)  
[QCM019PC2DC012B](#) [1-2069279-1](#) [121583-0217](#) [121667-0020](#) [129591AU](#) [1000B BULK](#) [RD10A16-19-P6CS051/1](#) [RD10A20-31-](#)  
[P8CS051/1](#) [RD16A14-12-S6CS051/2](#) [1301240290](#) [1301240347](#) [1301860202](#) [1301240268](#) [1301240275](#)