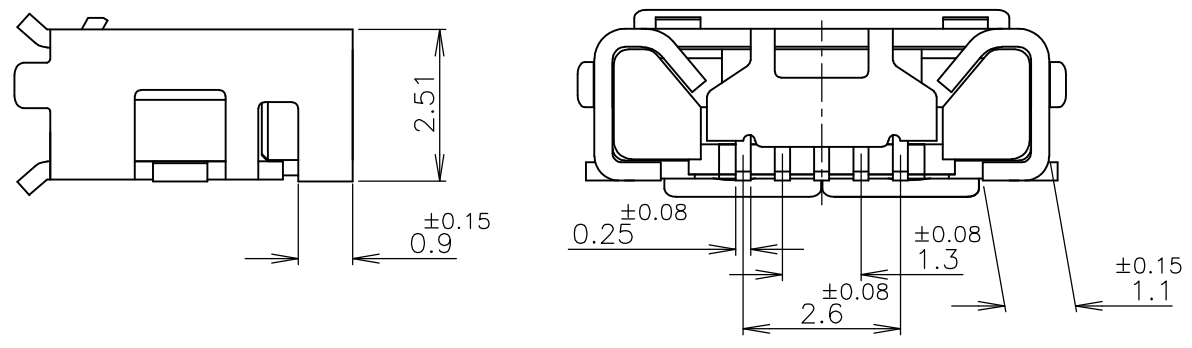
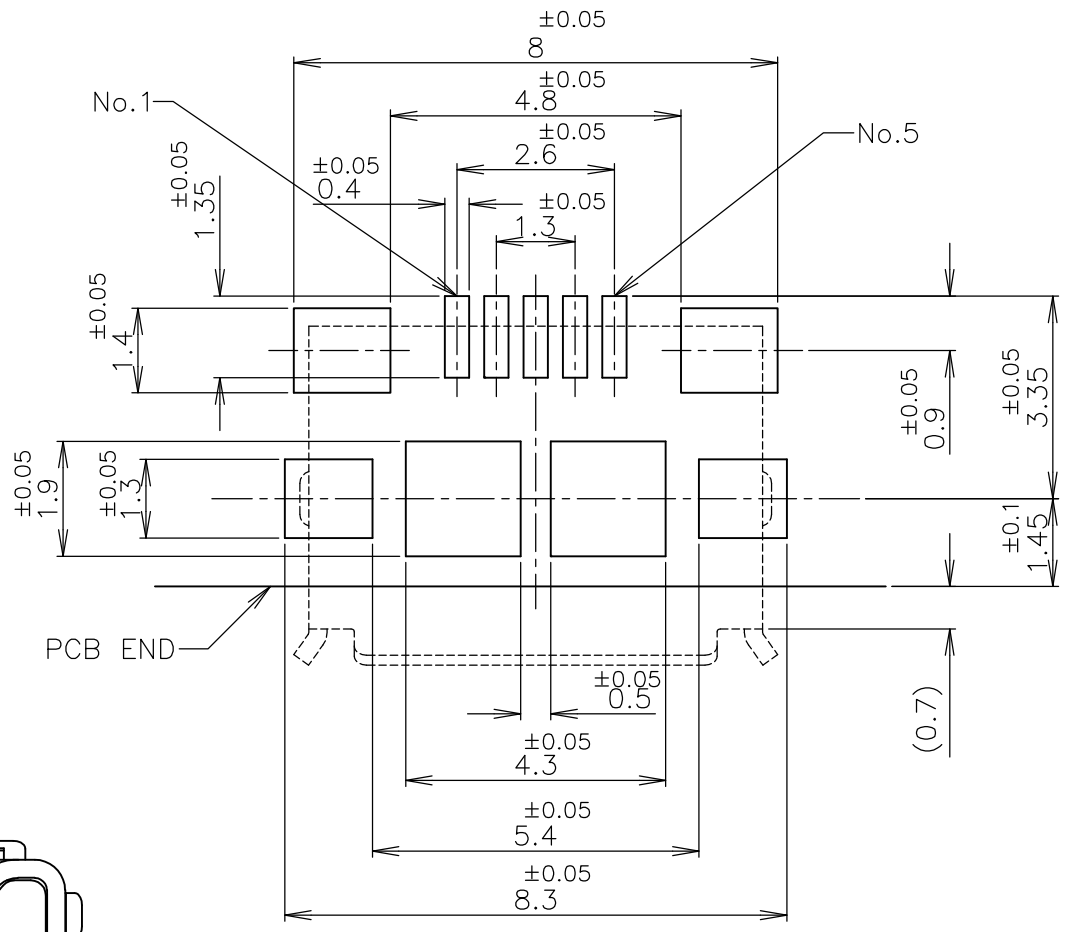
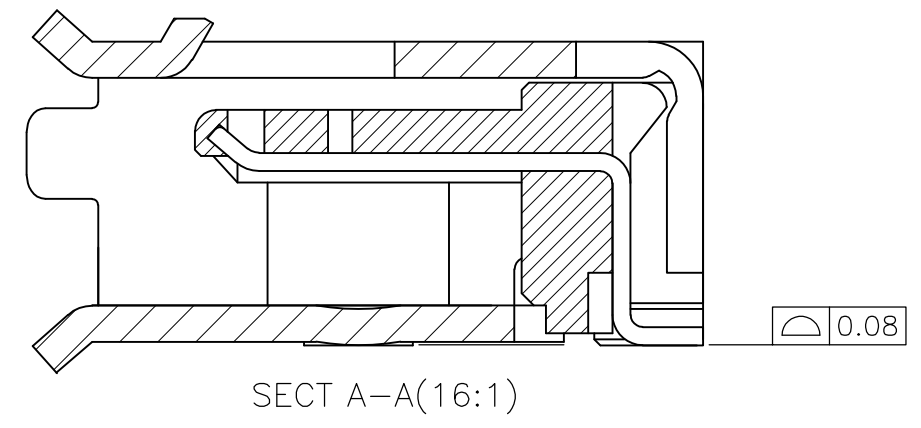
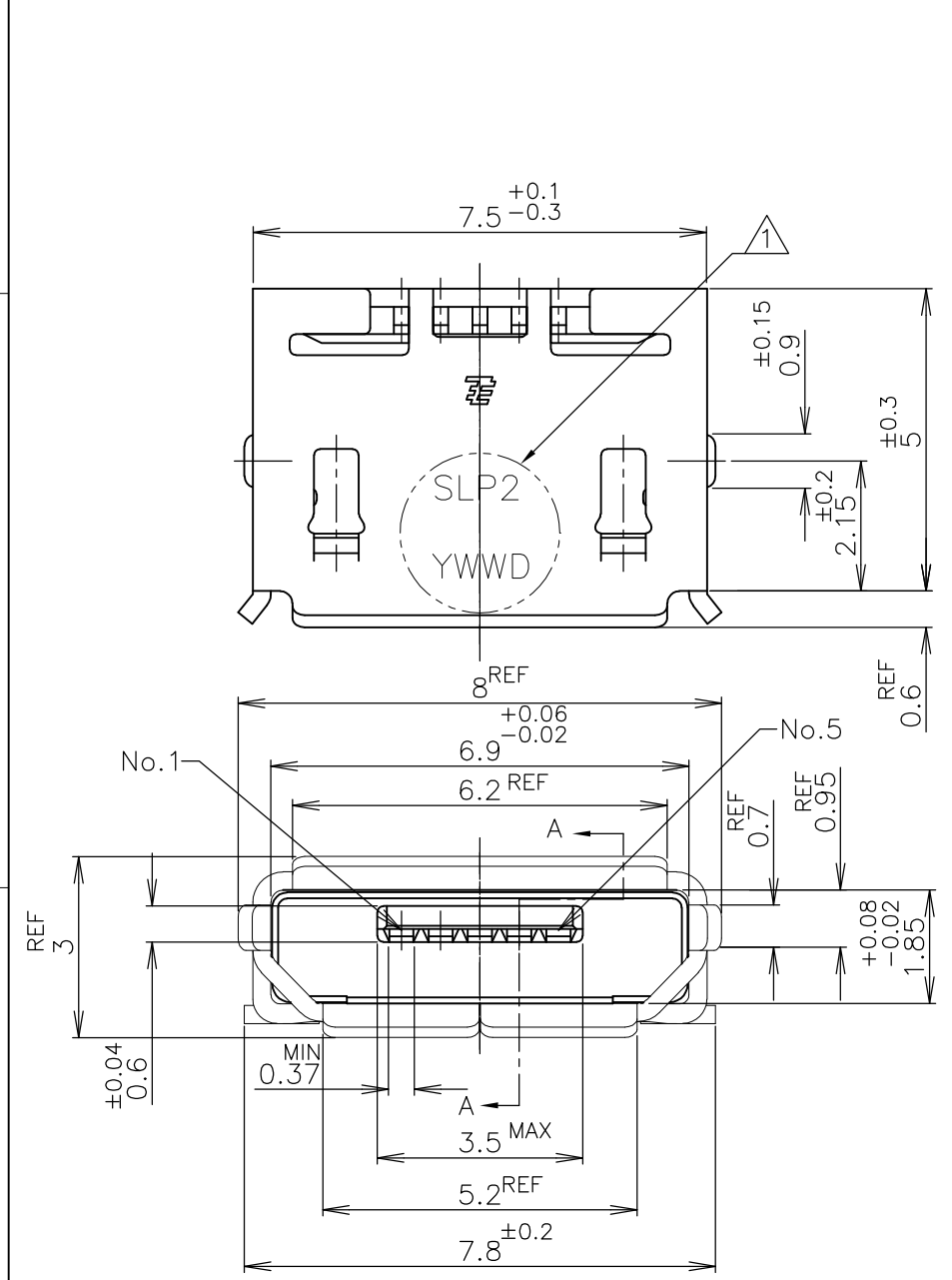



THIS DRAWING IS UNPUBLISHED. RELEASED FOR PUBLICATION JAN , 2007.
 © COPYRIGHT 2007 By - ALL RIGHTS RESERVED.

LOC	DIST	REVISIONS					
J	/	P	LTR	DESCRIPTION	DATE	DWN	APVD
		E3		REVISED PER ECR-18-018812	30NOV2018	T.Z	S.L



PCB LAYOUT(REFERENCE)
(VIEWED FROM CONNECTOR MOUNT SIDE)

- 1. DATE CODE AND VERSION MARKING
- 2. OVERALL TOLERANCE: ±0.2
- 3. MATERIAL HOUSING : THERMOPLASTIC RESIN UL94V-0
CONTACT : COPPER ALLOY
SHELL : STAINLESS STEEL
- 4. FINISH CONTACT : Ni UNDER PL
CONTACT AREA: 0.75um MIN AU PLATING
SOLDERING AREA: 0.05um-0.13um AU PLATING
SHELL : Ni UNDER PL
Sn PL

THIS DRAWING IS A CONTROLLED DOCUMENT.		DWN J.TSUJI 06AUG2007	 TE Connectivity	
DIMENSIONS: 單位: 耗 MM TOLERANCES UNLESS OTHERWISE SPECIFIED: 一般公差 0 PLC ± - 1 PLC ± - 2 PLC ± - 3 PLC ± - 4 PLC ± - ANGLES ± 10 FINISH 仕上		CHK T.KUSUHARA 07AUG2007		
MATERIAL 材料		APVD T.KUSUHARA 07AUG2007	MICRO USB RECEPTACLE STANDARD TYPE B ASSY	
1981568-1		PRODUCT SPEC 製品規格 108-78434	SIZE A3	CAGE CODE 00779
PART NUMBER		APPLICATION SPEC 取付適用規格	DRAWING NO C-1981568	
CUSTOMER DRAWING		WEIGHT	RESTRICTED TO	
		SCALE 尺度 8:1	SHEET 1 OF 2	
				REV E3

4

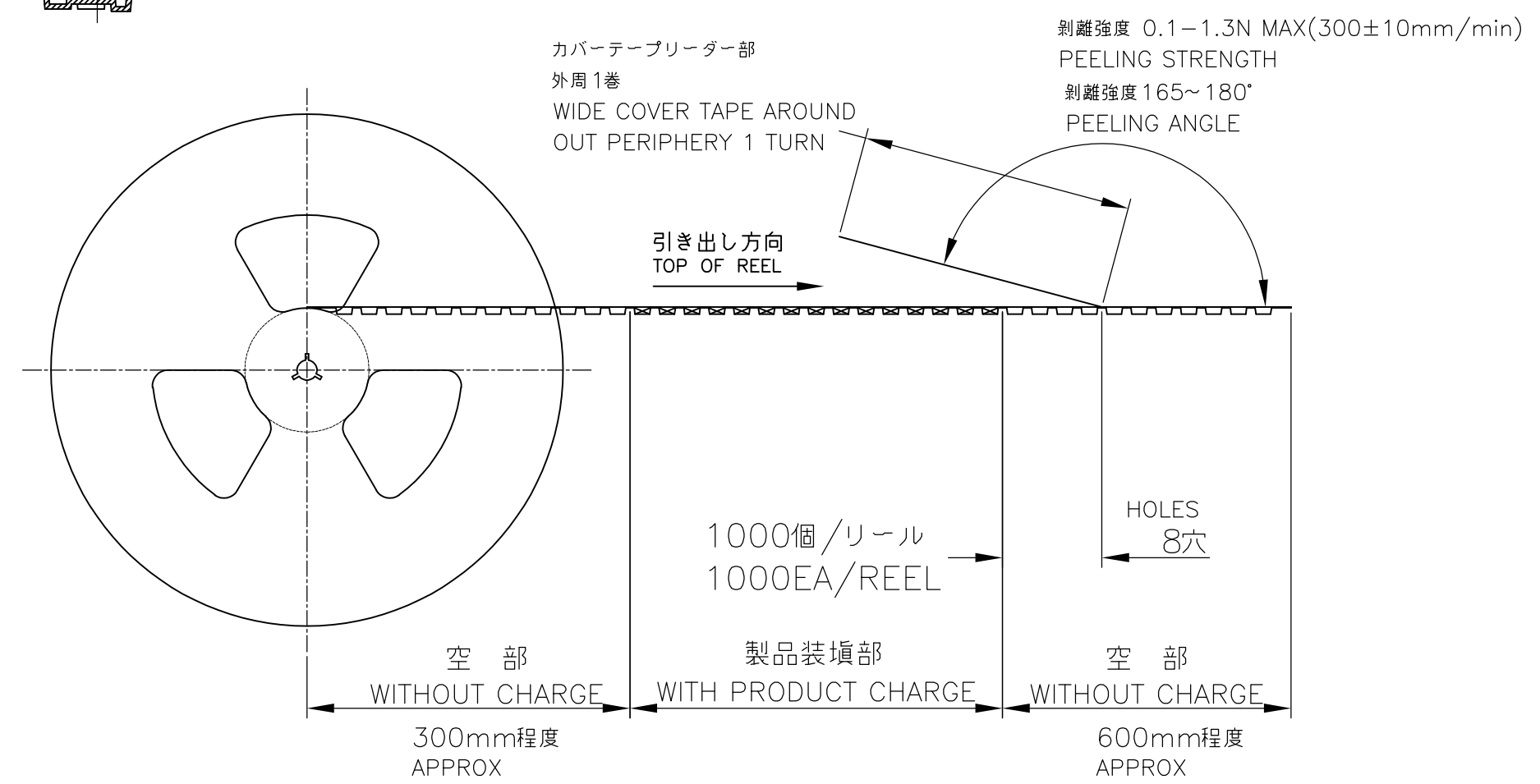
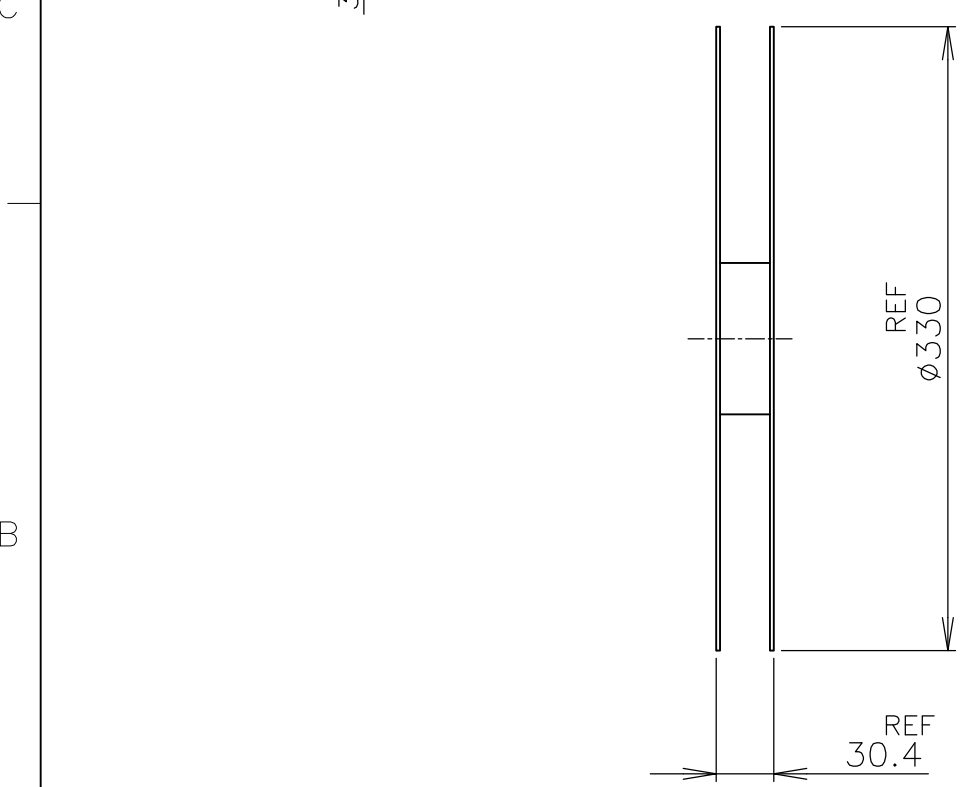
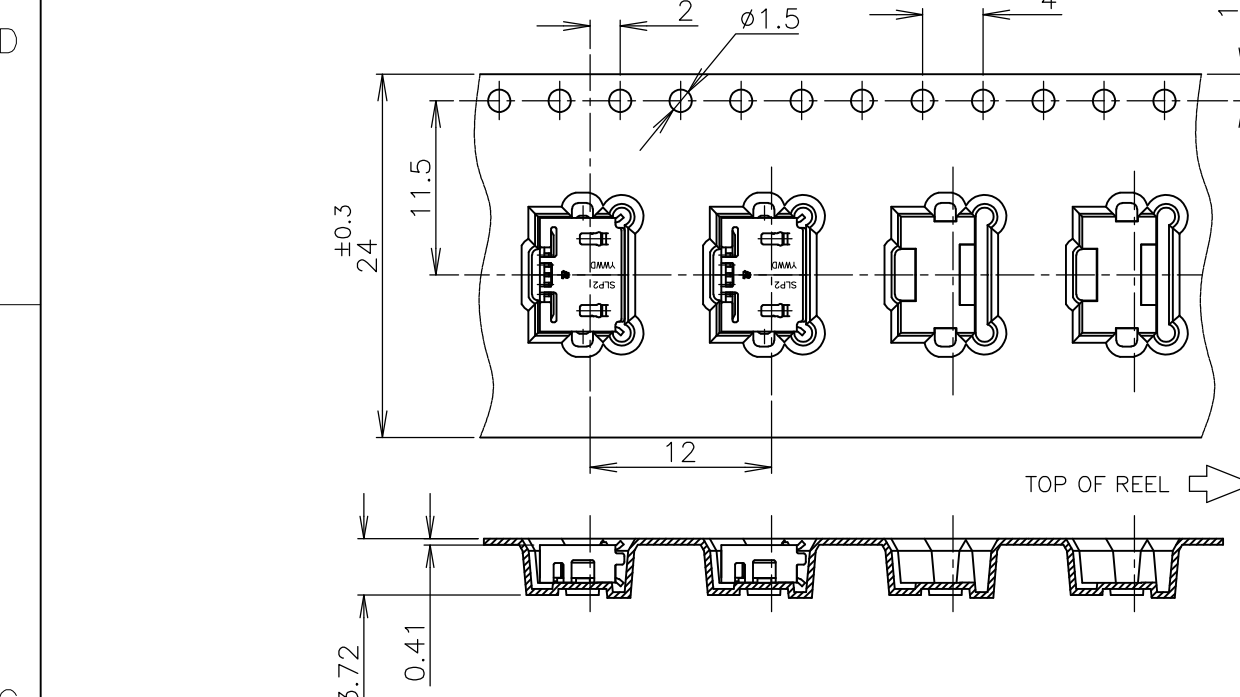
3

2

1

THIS DRAWING IS UNPUBLISHED. RELEASED FOR PUBLICATION JAN , 2007.
 © COPYRIGHT 2007 By - ALL RIGHTS RESERVED.

LOC	DIST	REVISIONS					
J	/	P	LTR	DESCRIPTION	DATE	DWN	APVD
		-		SEE SHEET 1	-	-	-



THIS DRAWING IS A CONTROLLED DOCUMENT.		DWN	STE TE Connectivity		
DIMENSIONS: 単位: 耗 MM		CHK	NAME 名称		
TOLERANCES UNLESS OTHERWISE SPECIFIED: 一般公差		APVD	MICRO USB RECEPTACLE STANDARD TYPE B ASSY		
0 PLC ±-		PRODUCT SPEC 製品規格	SIZE	CAGE CODE	DRAWING NO 番号
1 PLC ±-		APPLICATION SPEC 取付適用規格	A3	00779	C-1981568
2 PLC ±-		WEIGHT	RESTRICTED TO		
3 PLC ±-		CUSTOMER DRAWING			
4 PLC ±-		SCALE 尺度 2:1		SHEET 2 OF 2	
ANGLES ±-		REV E3			
FINISH 仕上					

X-ON Electronics

Largest Supplier of Electrical and Electronic Components

Click to view similar products for [USB Connectors](#) category:

Click to view products by [TE Connectivity](#) manufacturer:

Other Similar products are found below :

[65-647-8-BK-BU](#) [950](#) [952](#) [E8144-B01021-L](#) [A-USB B-TOP-C](#) [MUSBA511N5](#) [MUSBD11135](#) [217450-1](#) [KMBVX-TH-5S-B30](#) [896-30-004-00-000000](#) [KUSBVX-BS1N-W30](#) [KUSBX-AP-KIT-SCBLK](#) [KUSBX-AS2N-W](#) [KUSBX-SMT2AP1S-W](#) [KUSBX-SMT2AP1S-W30](#) [935](#) [957](#) [30-498-6](#) [17-210051](#) [1734082-1](#) [30-1574](#) [30-470](#) [30-489](#) [30-541](#) [30-572-3](#) [A-USB A-2P-C](#) [MIKROE-1451](#) [USBFTV2PEM2G](#) [USBFTVC6ZN](#) [KUSBX-AS2N-W30](#) [KUSBX-SLAS1N-W](#) [KUSBX-SMT-AS1N-W30](#) [4689-1](#) [1-1734084-2](#) [E8110-001-01](#) [33UBARS1-04SW11](#) [33UBAR-04SW11](#) [USBF21ZNSCC](#) [USBBFTV6ZC](#) [10135326-001LF](#) [USB-A-S-F-B-VT](#) [925](#) [4198](#) [690-024-633-031](#) [KUSBEX-BSFS1N-W](#) [USBFTVC6MRG](#) [UA-20BMFA-SL8001](#) [17-250101](#) [USBFTVC7ZC](#) [USBFTV75NF459](#)