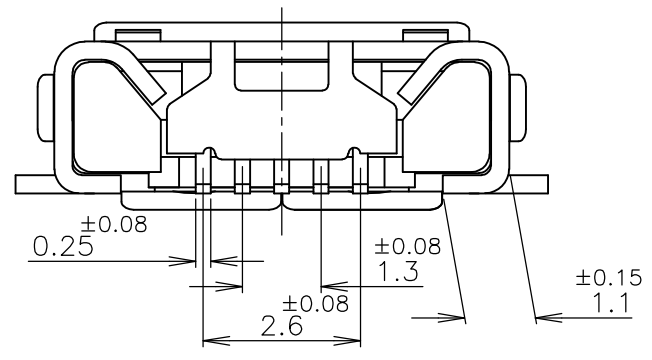
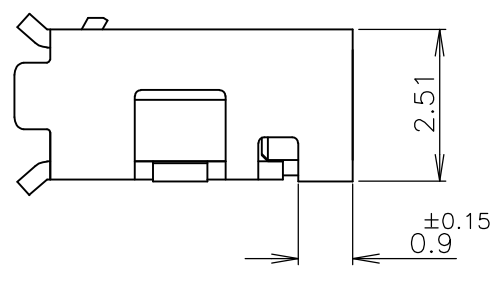
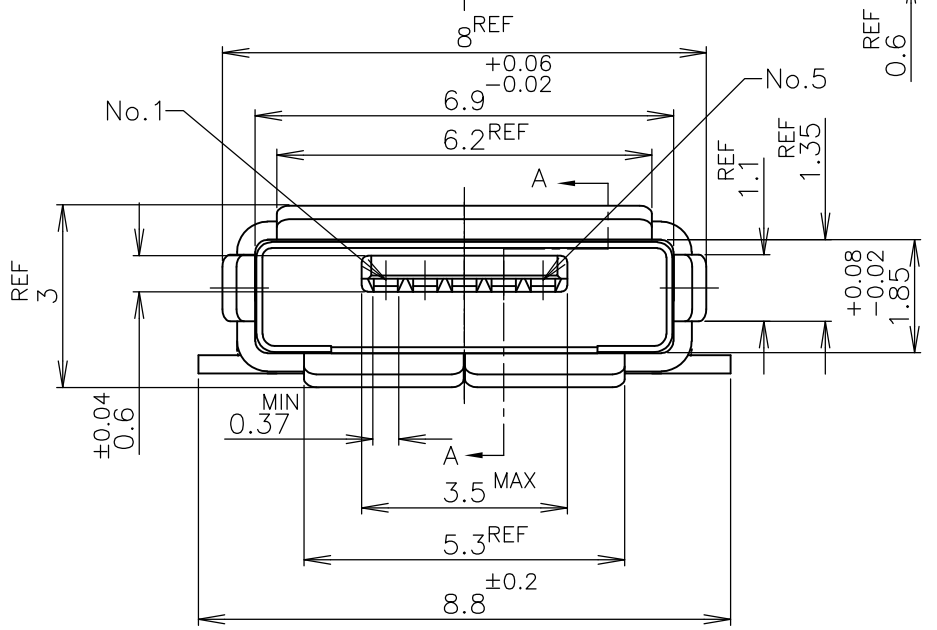
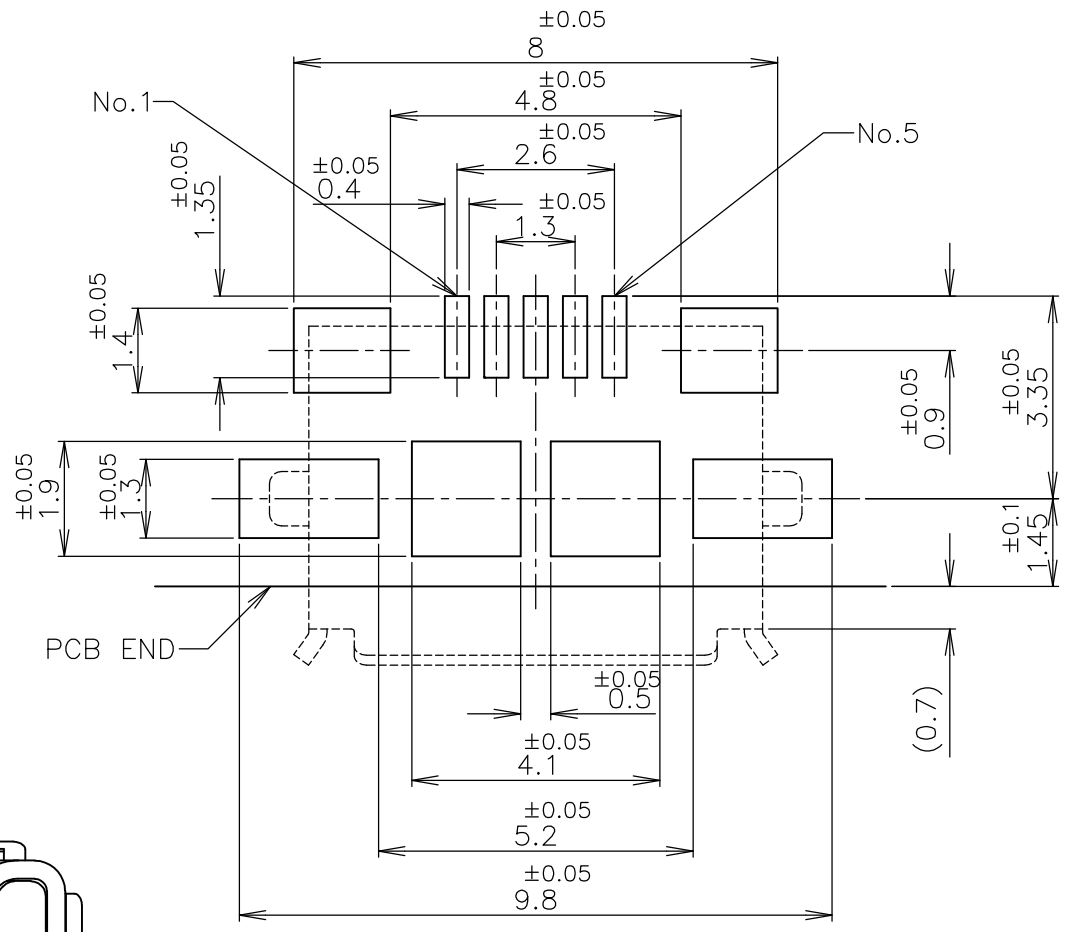
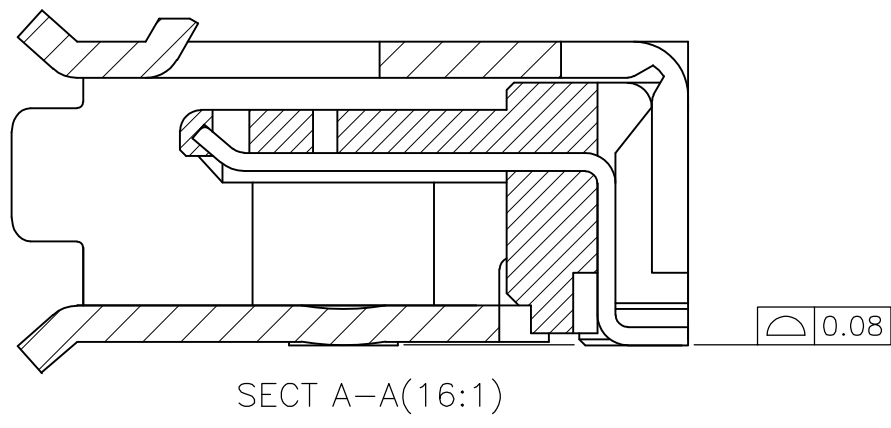
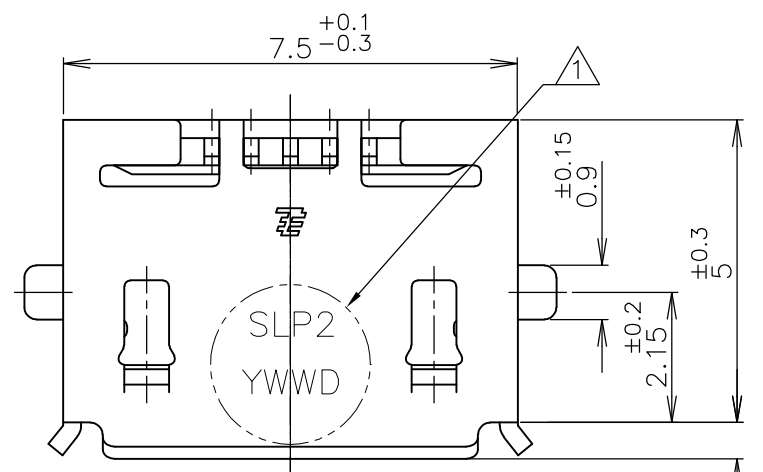


THIS DRAWING IS UNPUBLISHED. RELEASED FOR PUBLICATION JAN , 2007.
 © COPYRIGHT 2007 By - ALL RIGHTS RESERVED.

LOC	DIST	REVISIONS		
J	/	P	LTR	DESCRIPTION
				DATE
				DWN
				APVD
		D1		REVISED PER ECO-11-005030
				11MAR11
				RK
				HMR



- ① DATE CODE AND VERSION MARKING
- 2. OVERALL TOLERANCE: ±0.2
- 3. MATERIAL HOUSING : THERMOPLASTIC RESIN UL94V-0
CONTACT : COPPER ALLOY
SHELL : STAINLESS STEEL
- 4. FINISH CONTACT : Ni UNDER PL
Au PL AT
SHELL : Ni UNDER PL
Sn PL

THIS DRAWING IS A CONTROLLED DOCUMENT.

DIMENSIONS: 単位: 耗 MM	TOLERANCES UNLESS OTHERWISE SPECIFIED: 一般公差
	0 PLC ± -
	1 PLC ± -
	2 PLC ± -
	3 PLC ± -
	4 PLC ± -
	ANGLES ± 10
	FINISH 仕上

DWN	J.TSUJI	06AUG2007
CHK	T.KUSUHARA	07AUG2007
APVD	T.KUSUHARA	07AUG2007
PRODUCT SPEC	108-78434	
APPLICATION SPEC	取付適用規格	
WEIGHT		



NAME 名称
MICRO USB
RECEPTACLE STANDARD TYPE AB
ASSY

1981584-1
PART NUMBER

SIZE	CAGE CODE	DRAWING NO 番号	RESTRICTED TO
A3	00779	G-1981584	-

CUSTOMER DRAWING SCALE 尺度 8:1 SHEET 1 OF 2 REV D1

4

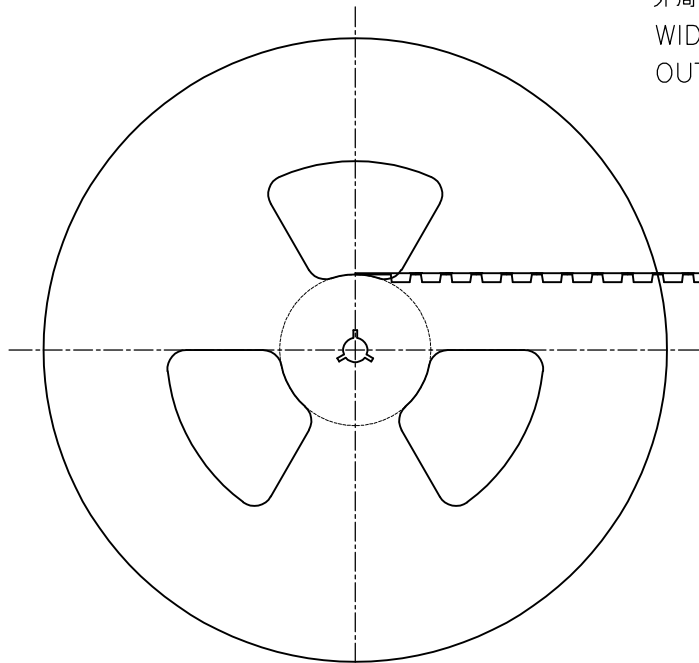
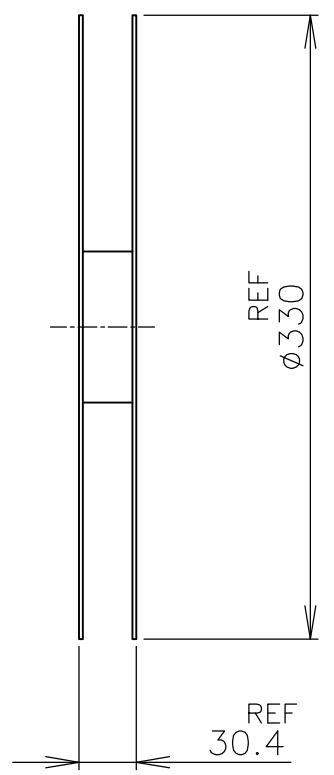
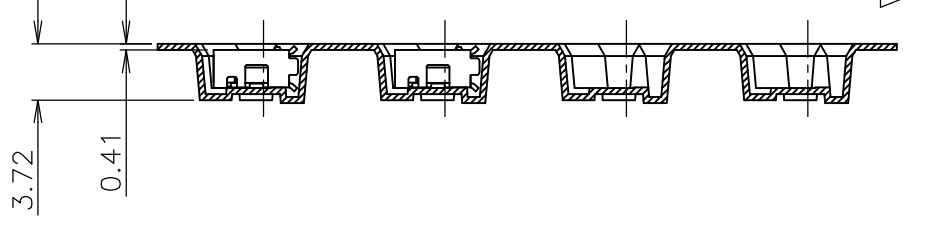
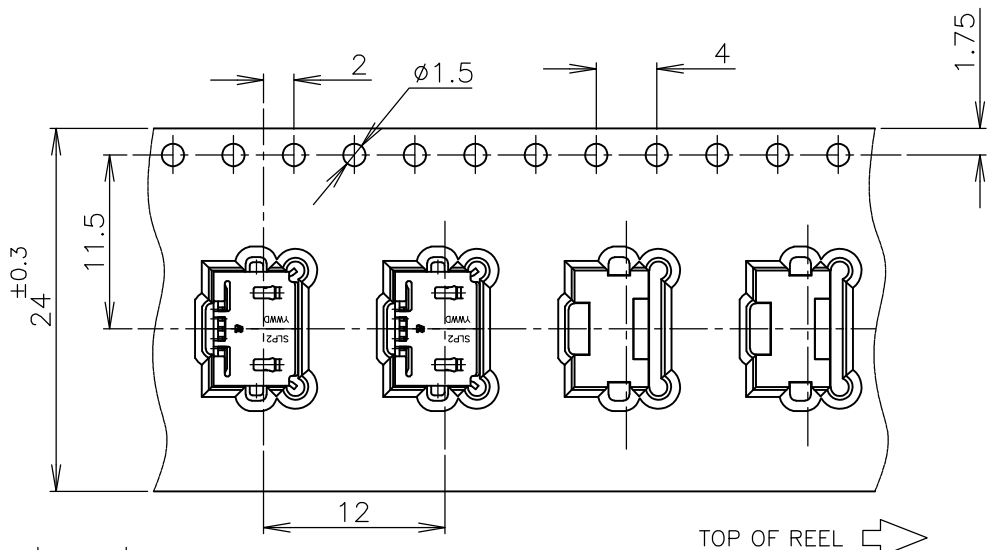
3

2

1

THIS DRAWING IS UNPUBLISHED. RELEASED FOR PUBLICATION JAN , 2007.
 © COPYRIGHT 2007 By - ALL RIGHTS RESERVED.

LOC	DIST	REVISIONS					
J	/	P	LTR	DESCRIPTION	DATE	DWN	APVD
		-		SEE SHEET 1	-	-	-



カバーテープリーダー部
 外周1巻
 WIDE COVER TAPE AROUND
 OUT PERIPHERY 1 TURN

剥離強度 0.1-1.3N MAX(300±10mm/min)
 PEELING STRENGTH
 剥離強度 165~180°
 PEELING ANGLE

引き出し方向
 TOP OF REEL

1000個/リール
 1000EA/REEL

HOLES
 8穴

空部
 WITHOUT CHARGE
 300mm程度
 APPROX

製品装填部
 WITH PRODUCT CHARGE

空部
 WITHOUT CHARGE
 600mm程度
 APPROX

THIS DRAWING IS A CONTROLLED DOCUMENT.		DWN	TE Connectivity		
DIMENSIONS: 単位: 耗 MM		CHK	NAME 名称		
TOLERANCES UNLESS OTHERWISE SPECIFIED: 一般公差		APVD	MICRO USB RECEPTACLE STANDARD TYPE AB ASSY		
0 PLC ±-		PRODUCT SPEC	SIZE	CAGE CODE	DRAWING NO
1 PLC ±-		製品規格	A3	00779	G-1981584
2 PLC ±-		APPLICATION SPEC	RESTRICTED TO		
3 PLC ±-		取付適用規格	-		
4 PLC ±-		WEIGHT	SCALE 2:1 SHEET 2 OF 2 REV D1		
ANGLES ±-		CUSTOMER DRAWING			
FINISH 仕上					

X-ON Electronics

Largest Supplier of Electrical and Electronic Components

Click to view similar products for [USB Connectors](#) category:

Click to view products by [TE Connectivity](#) manufacturer:

Other Similar products are found below :

[65-647-8-BK-BU](#) [950](#) [952](#) [E8144-B01021-L](#) [A-USB B-TOP-C](#) [MUSBA511N5](#) [MUSBD11135](#) [217450-1](#) [KMBVX-TH-5S-B30](#) [896-30-004-00-000000](#) [KUSBVX-BS1N-W30](#) [KUSBX-AP-KIT-SCBLK](#) [KUSBX-AS2N-W](#) [KUSBX-SMT2AP1S-W](#) [KUSBX-SMT2AP1S-W30](#) [935](#) [957](#) [30-498-6](#) [SK-60A-2](#) [17-210051](#) [1734082-1](#) [30-1574](#) [30-470](#) [30-489](#) [30-541](#) [30-572-3](#) [A-USB A-2P-C](#) [MIKROE-1451](#) [USBFTV2PEM2G](#) [USBFTVC6ZN](#) [KUSBX-AS2N-W30](#) [KUSBX-SLAS1N-W](#) [KUSBX-SMT-AS1N-W30](#) [4689-1](#) [1-1734084-2](#) [E8110-001-01](#) [33UBARS1-04SW11](#) [33UBAR-04SW11](#) [USBF21ZNSCC](#) [USBBFTV6ZC](#) [10135326-001LF](#) [M9177/3-1](#) [USB-A-S-F-B-VT](#) [925](#) [4198](#) [690-024-633-031](#) [KUSBEX-BSFS1N-W](#) [USBFTVC6MRG](#) [UA-20BMFA-SL8001](#) [17-250101](#)