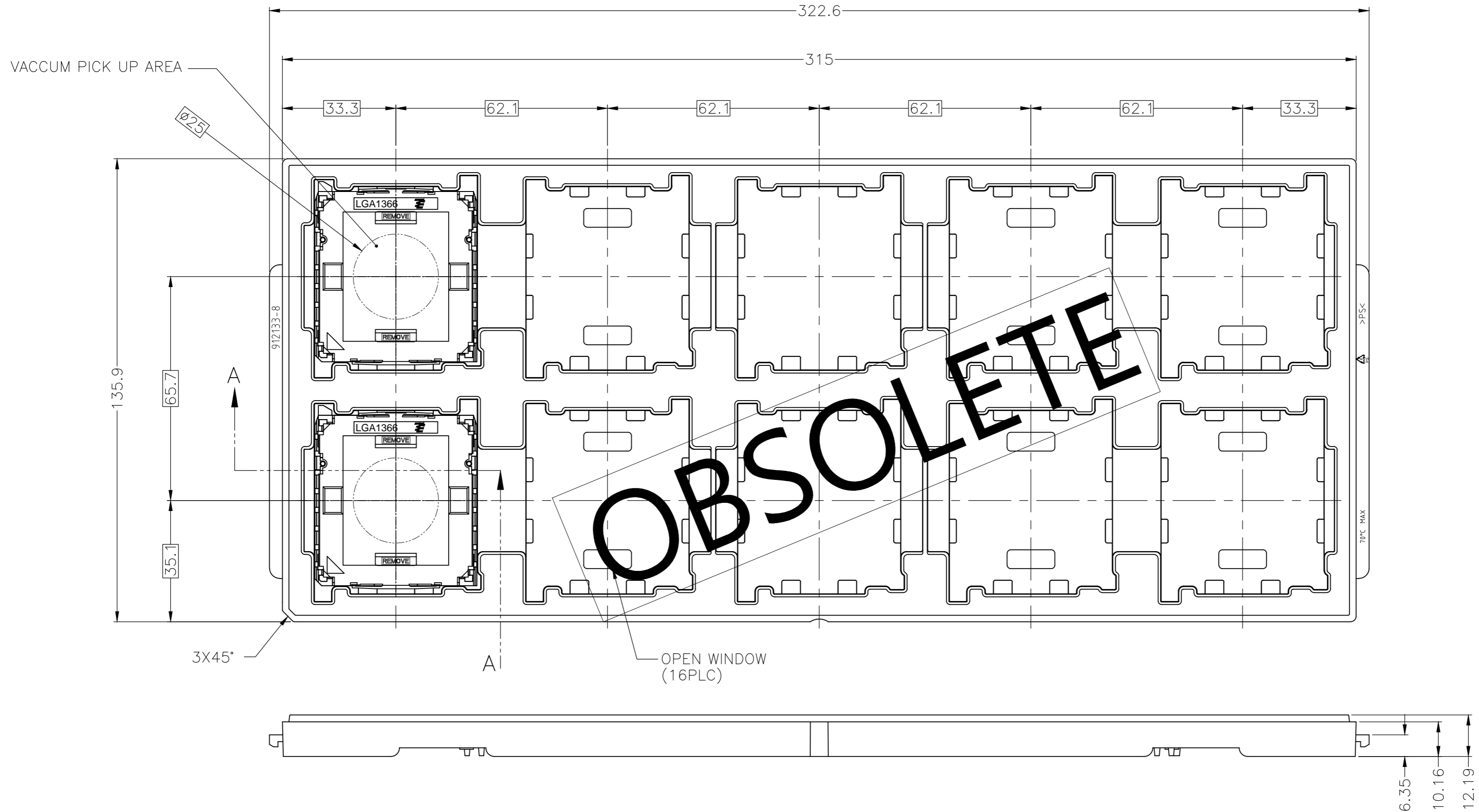
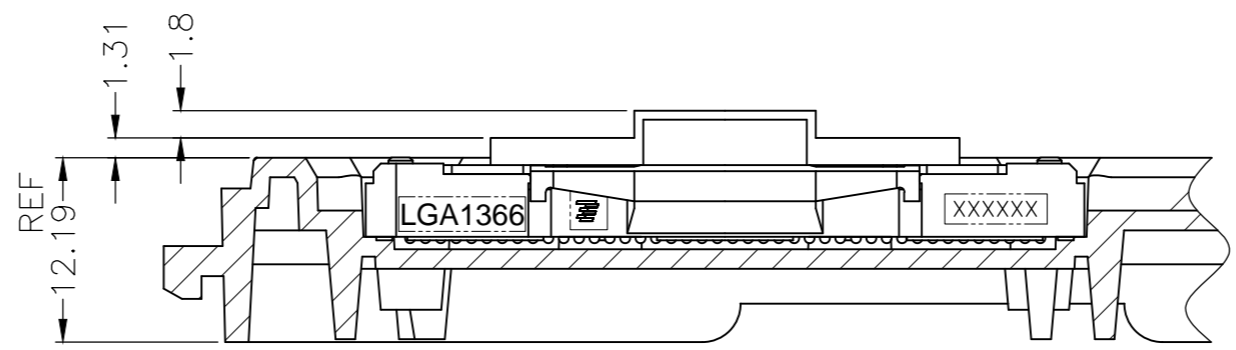


THIS DRAWING IS UNPUBLISHED. RELEASED FOR PUBLICATION
 © COPYRIGHT - By - ALL RIGHTS RESERVED.

LOC		DIST		REVISIONS			
P	LTR	DESCRIPTION		DATE	DWN	APVD	
C4		REVISED PER ECR-17-014279		11MAR2019	B.L	S.L	



OBSOLETE



A-A (SCALE 2:1)
(SOCKET ASSY IS NOT SECTIONEND)

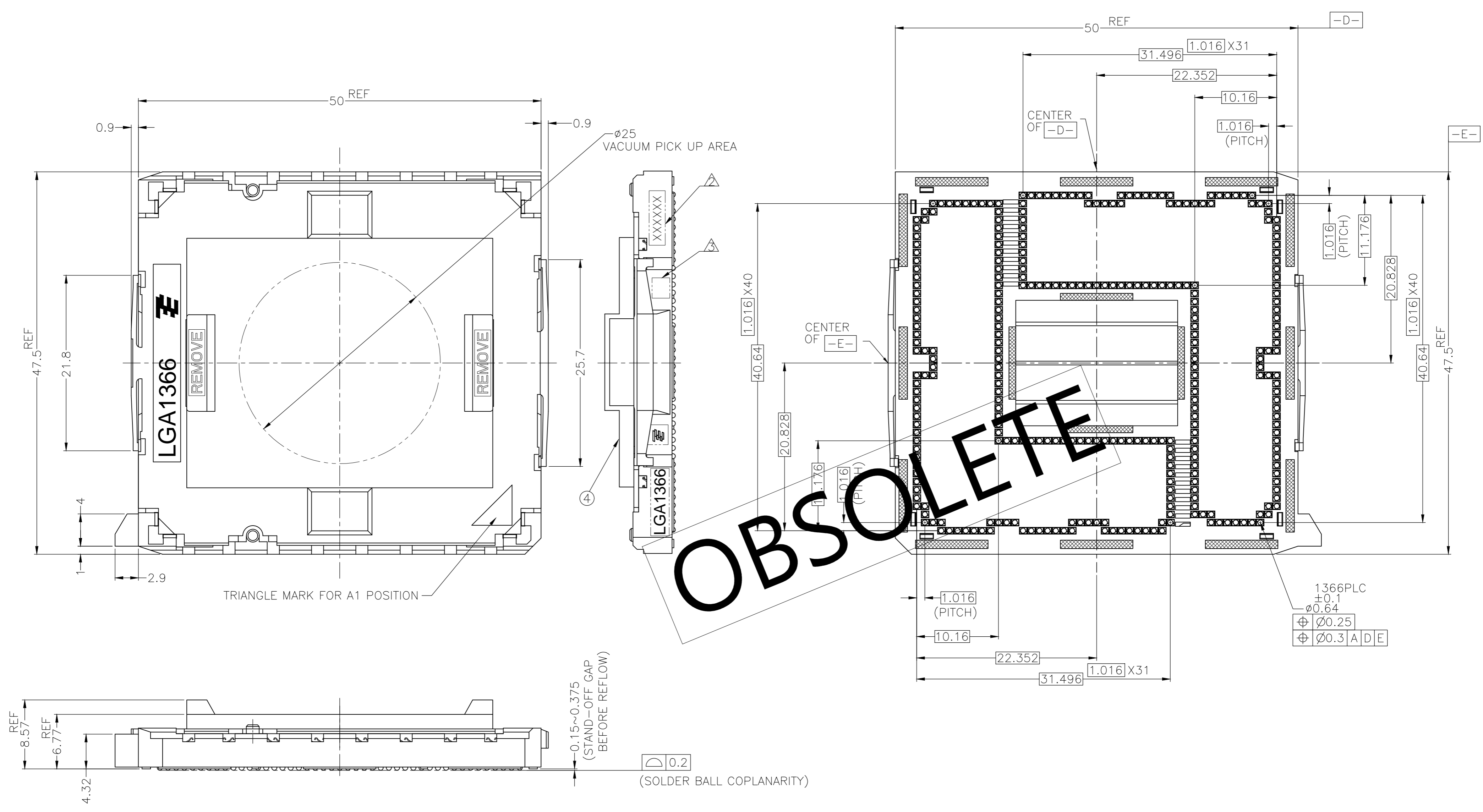
1. MATERIAL
- ① HOUSING : HIGH TEMP, THERMO-PLASTIC, UL94V-0, BLACK
 - ② CONTACT : COPPER ALLOY
FINISH : Au PL. AT CONTACT AREA ON OVERALL OVER Ni UNDER PL. 0.00127 MIN.
 - ③ SOLDER BALL : Sn/Ag/Cu FOR LEAD FREE PRODUCT.
 - ④ CAP : HIGH TEMP. THERMO-PLASTIC, UL94V-0, BLACK
- △ INDICATED DATE CODE ON THE HSG
 △ INDICATED "Pb" FOR LEADED SOLDER BALL PRODUCT

0.76 um MIN	LEADED	1-1981837-2
0.76 um MIN	LEAD FREE	1981837-2
0.38 um MIN	LEAD FREE	1981837-1
Au AT CONTACT AREA	SOLDER BALL	PART NUMBER

THIS DRAWING IS A CONTROLLED DOCUMENT.		DWN H.TAGUCHI 28AUG2007																
DIMENSIONS: mm		CHK S.HASHIMOTO 28AUG2007																
TOLERANCES UNLESS OTHERWISE SPECIFIED:		APVD S.HASHIMOTO 28AUG2007	NAME SOCKET ASSY LGA1366															
<table border="1"> <tr><td>0 PLC</td><td>±</td></tr> <tr><td>1 PLC</td><td>±</td></tr> <tr><td>2 PLC</td><td>±0.5</td></tr> <tr><td>3 PLC</td><td>±3</td></tr> <tr><td>4 PLC</td><td>±</td></tr> <tr><td>ANGLES</td><td>±</td></tr> <tr><td>FINISH</td><td>-</td></tr> </table>		0 PLC	±	1 PLC	±	2 PLC	±0.5	3 PLC	±3	4 PLC	±	ANGLES	±	FINISH	-	PRODUCT SPEC	RESTRICTED TO	
0 PLC	±																	
1 PLC	±																	
2 PLC	±0.5																	
3 PLC	±3																	
4 PLC	±																	
ANGLES	±																	
FINISH	-																	
MATERIAL		APPLICATION SPEC	SIZE A2	CAGE CODE 00779														
		WEIGHT 13.4 g	DRAWING NO C=1981837	REV C4														
		CUSTOMER DRAWING	SCALE 1:1	SHEET 1 of 4														

THIS DRAWING IS UNPUBLISHED. RELEASED FOR PUBLICATION
 © COPYRIGHT - By - ALL RIGHTS RESERVED.

LOC		DIST		REVISIONS			
P	LTR	DESCRIPTION	DATE	DWN	APVD		
-	-	SEE SHEET 1	-	-	-		



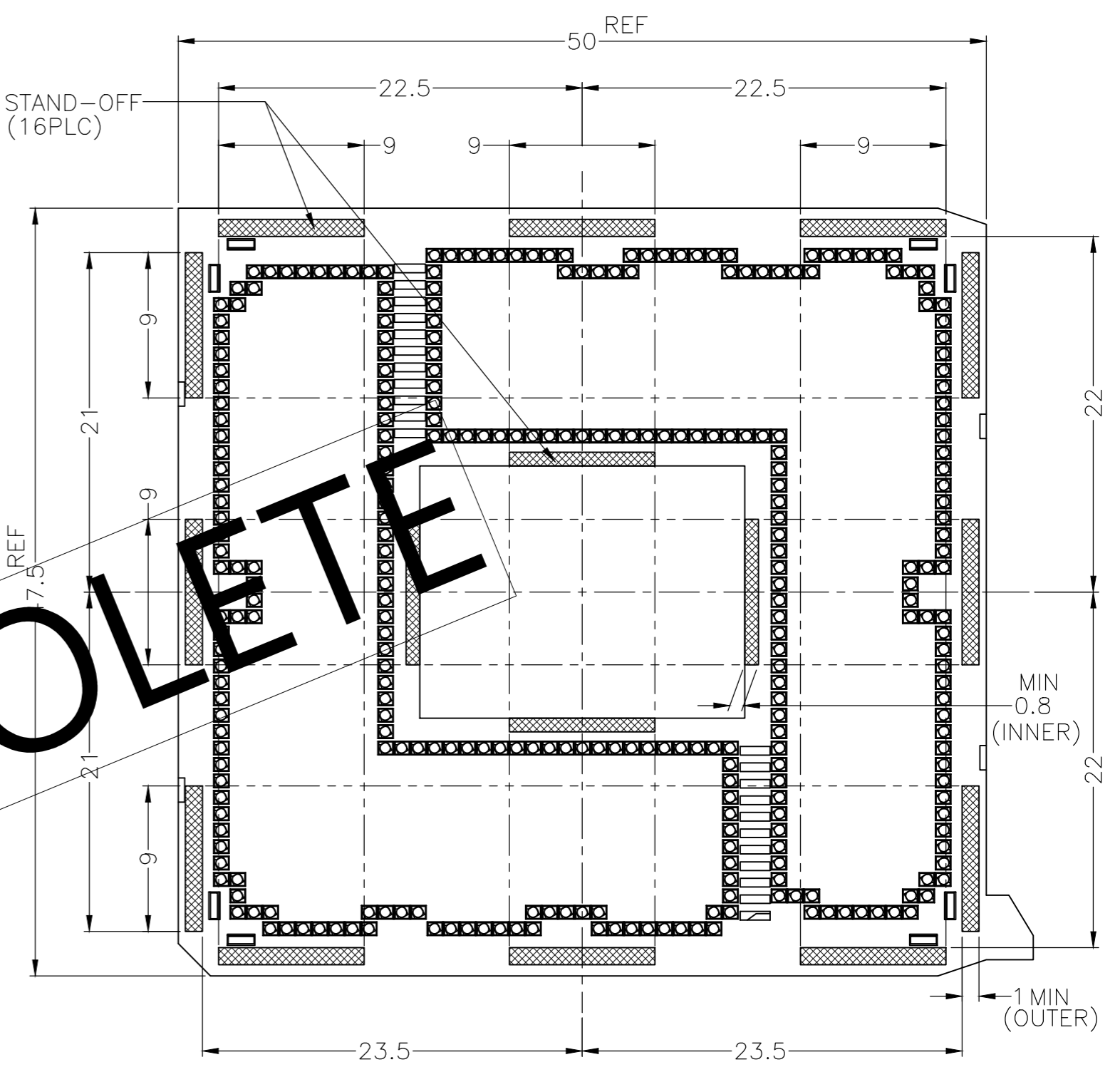
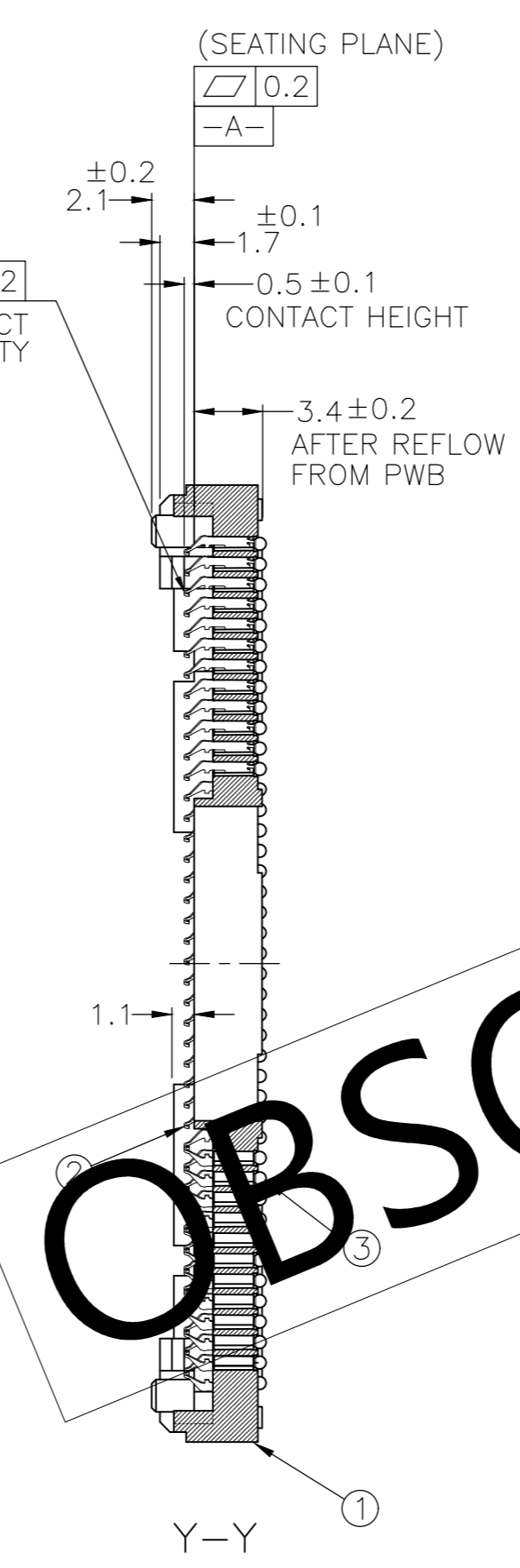
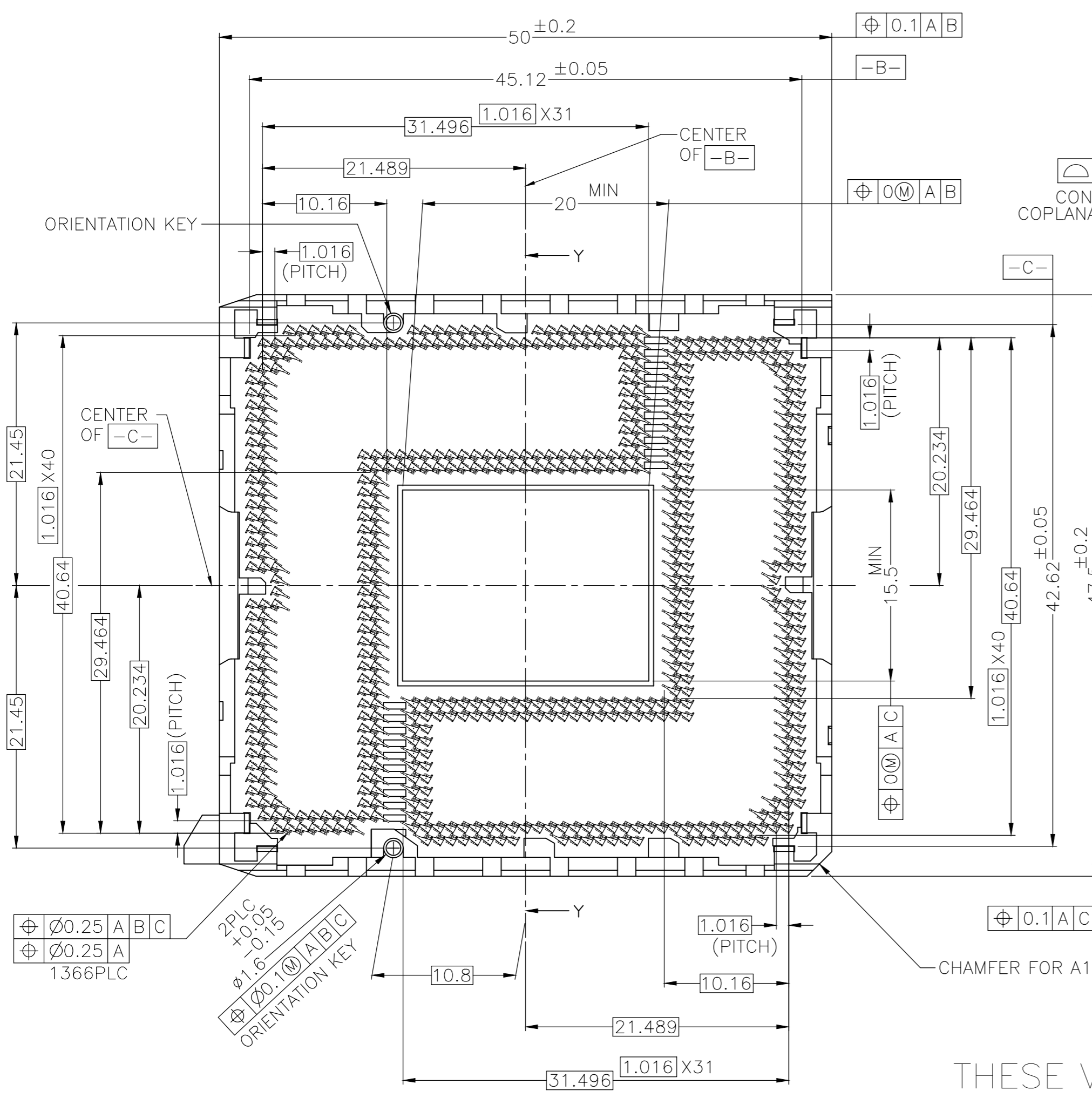
OBSOLETE

1-1981837-2, 1981837-1&-2 : AS SHOWN

THIS DRAWING IS A CONTROLLED DOCUMENT.		DWN	TE TE Connectivity	
DIMENSIONS: mm		CHK		
TOLERANCES UNLESS OTHERWISE SPECIFIED:		APVD	NAME	
0 PLC ± 0.3	1 PLC ± 0.3	PRODUCT SPEC	SOCKET ASSY	
2 PLC ± 0.3	3 PLC ± 0.3	APPLICATION SPEC	LGA1366	
4 PLC ± 0.3	ANGLES ± 3°	WEIGHT	SIZE	CAGE CODE
MATERIAL	FINISH	CUSTOMER DRAWING	A2	00779
			DRAWING NO	RESTRICTED TO
			C=1981837	-
			SCALE	SHEET
			NTS	2 of 4
			REV	C4

THIS DRAWING IS UNPUBLISHED. RELEASED FOR PUBLICATION
 © COPYRIGHT - By - ALL RIGHTS RESERVED.

LOC		DIST		REVISIONS			
P	LTR	DESCRIPTION	DATE	DWN	APVD		
-	-	SEE SHEET 1	-	-	-		



OBSOLETE

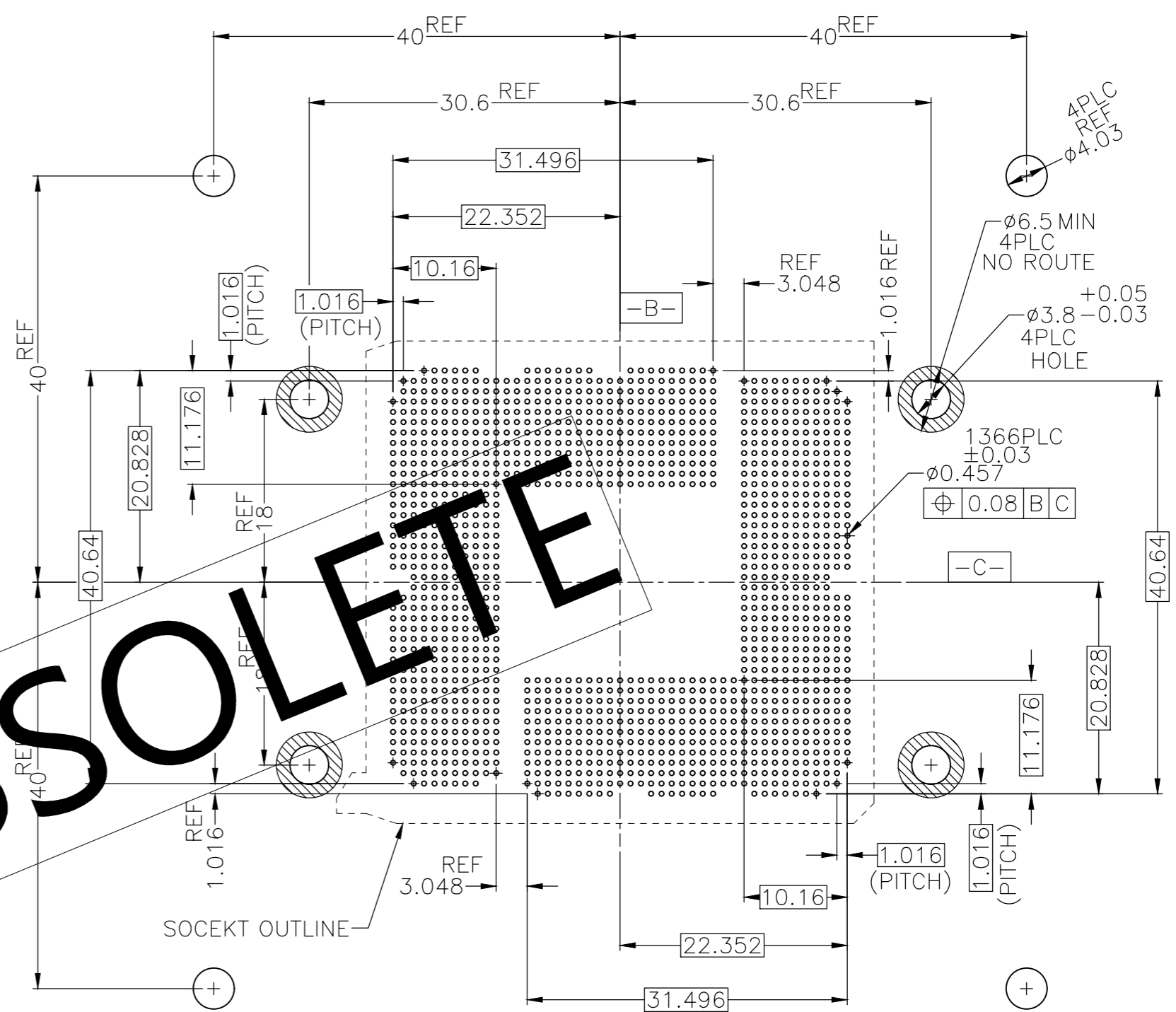
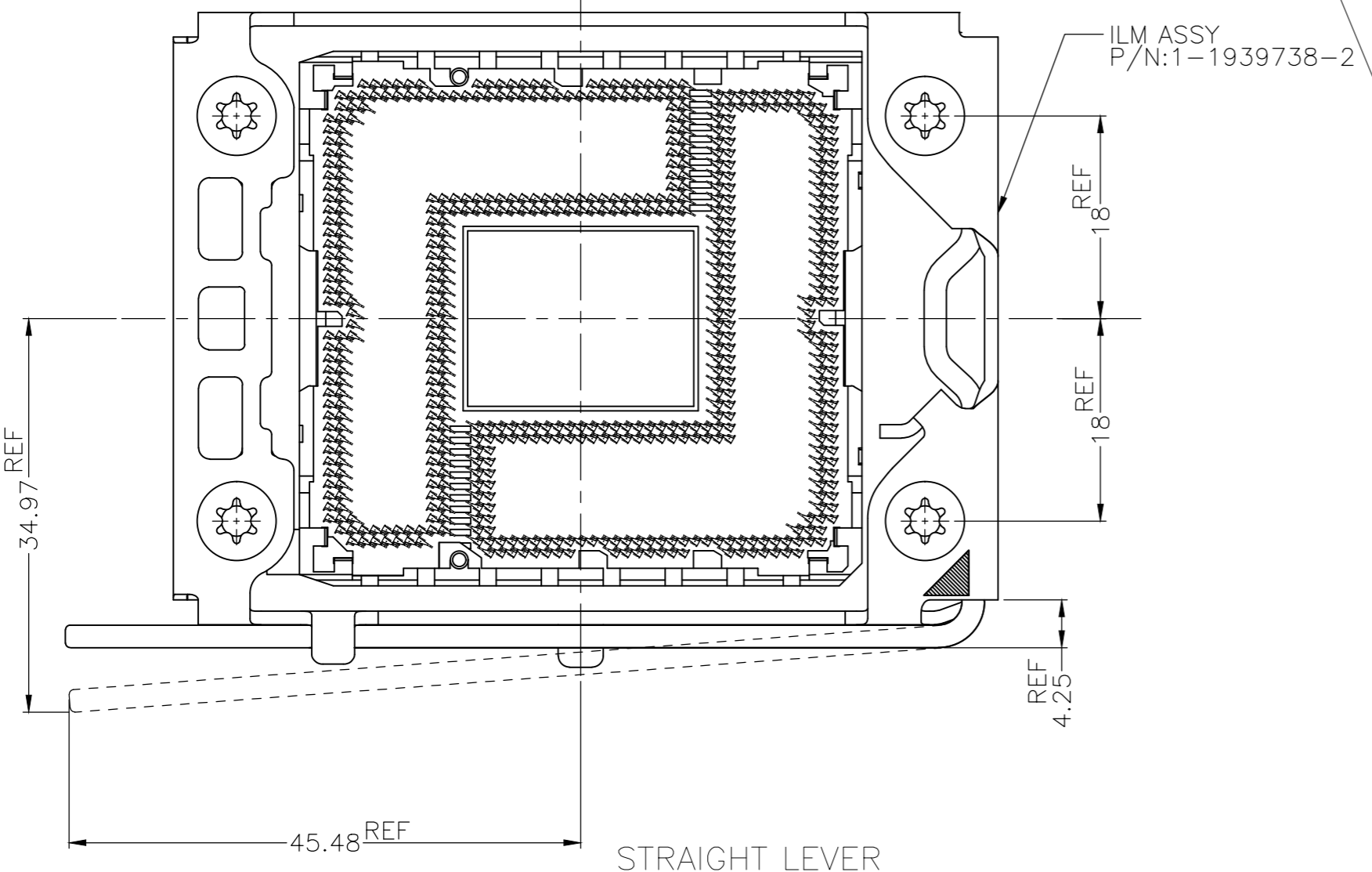
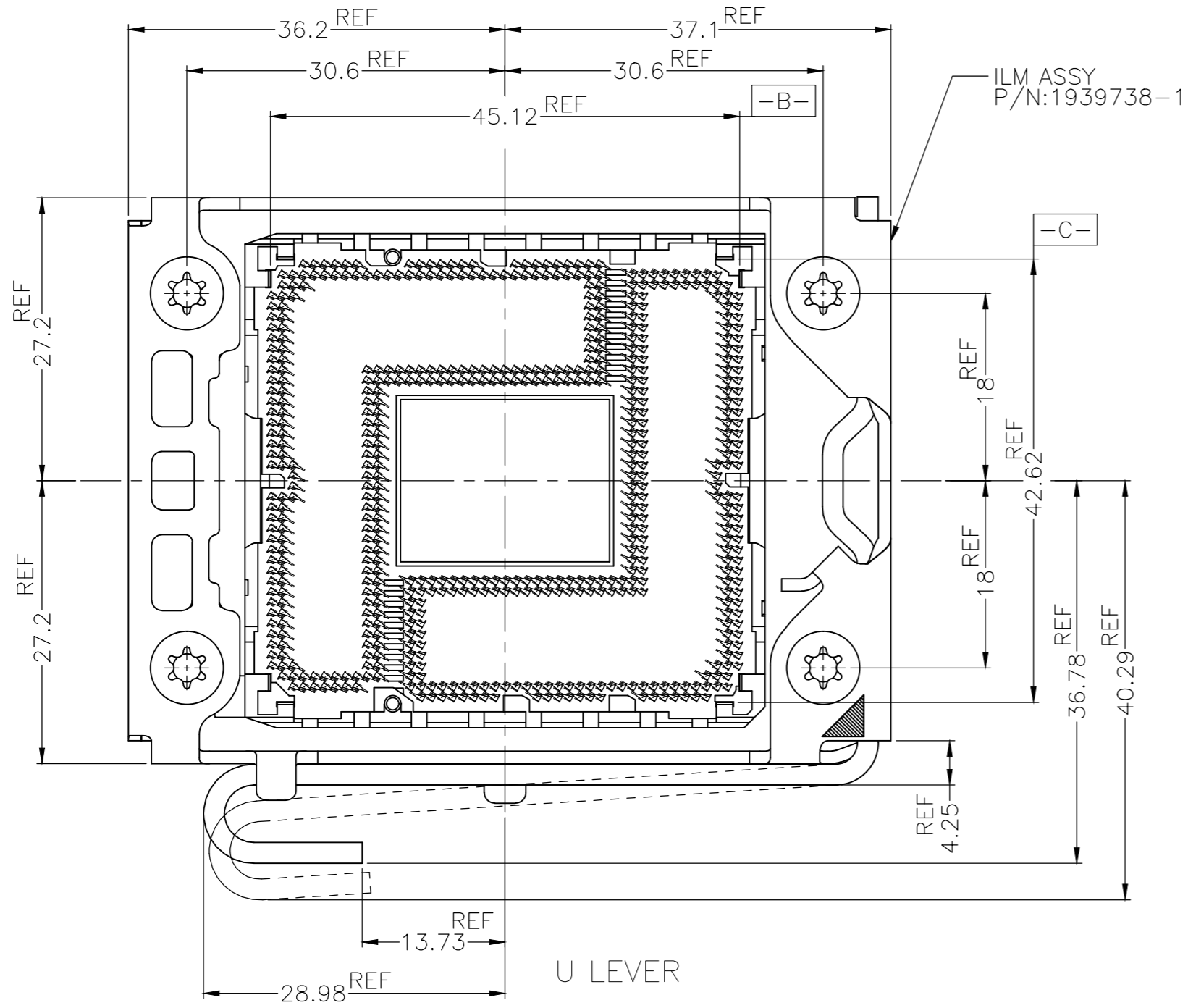
THESE VIEWS DON'T SHOW CAP

Ø0.25 A B C	2PLC +0.05
Ø0.25 A	-0.15
1366PLC	
Ø1.6 (Ø0.1) A B C	
ORIENTATION KEY	

THIS DRAWING IS A CONTROLLED DOCUMENT.		DWN	TE Connectivity	
DIMENSIONS:	TOLERANCES UNLESS OTHERWISE SPECIFIED:	CHK	NAME	
mm	0 PLC ± 0.3	APVD	SOCKET ASSY	
	1 PLC ± 0.3	PRODUCT SPEC	LGA1366	
	2 PLC ± 0.3	APPLICATION SPEC	SIZE	CAGE CODE
	3 PLC ± 0.3		A2	00779
	4 PLC ± 0.3	WEIGHT	DRAWING NO	RESTRICTED TO
	ANGLES ± 3°		C=1981837	-
MATERIAL	FINISH	CUSTOMER DRAWING	SCALE	SHEET
			NTS	3 of 4
			REV	C4

THIS DRAWING IS UNPUBLISHED. RELEASED FOR PUBLICATION
 © COPYRIGHT - By - ALL RIGHTS RESERVED.

LOC		DIST		REVISIONS			
P	LTR	DESCRIPTION	DATE	DWN	APVD		
-	-	SEE SHEET 1	-	-	-		



OBSOLETE

ILM ASSEMBLY OCCUPATION AREA (REFERENCE)
 CAP AND LOAD PLATE ARE NOT SHOWN ON THIS VIEW

THIS DRAWING IS A CONTROLLED DOCUMENT.		DWN	TE Connectivity	
DIMENSIONS: mm		CHK	NAME	
TOLERANCES UNLESS OTHERWISE SPECIFIED:		APVD	SOCKET ASSY LGA1366	
0 PLC ± 0.3	1 PLC ± 0.3	PRODUCT SPEC	SIZE	CAGE CODE
2 PLC ± 0.3	3 PLC ± 0.3	APPLICATION SPEC	A2	00779
4 PLC ± 0.3	ANGLES ± 3°		DRAWING NO	RESTRICTED TO
MATERIAL	FINISH	WEIGHT	C=1981837	-
CUSTOMER DRAWING			SCALE	SHEET
			NTS	4 OF 4
			REV	C4

X-ON Electronics

Largest Supplier of Electrical and Electronic Components

Click to view similar products for [IC & Component Sockets](#) category:

Click to view products by [TE Connectivity](#) manufacturer:

Other Similar products are found below :

[0066-3-17-15-30-14-02-0](#) [670](#) [672](#) [673](#) [694-13-640-00-672-000](#) [712-93-120-41-001000](#) [714-93-104-31-018000](#) [8059-4G1-LF](#) [807-22-001-10-001101](#) [807-22-001-10-006101](#) [807-22-001-30-011101](#) [807-22-001-30-012101](#) [807-22-001-30-013101](#) [807-22-001-30-014101](#) [8-1437531-4](#) [8150-6P10](#) [833-93-034-10-001000](#) [851-41-006-10-001000](#) [851-43-008-20-001000](#) [851-43-014-20-001000](#) [851-93-006-20-001000](#) [851-93-010-20-001000](#) [853-43-020-10-001000](#) [86.010.0053.0](#) [116-43-308-41-007000](#) [PX-68LCC](#) [121-13-318-41-001000](#) [121-13-320-41-001000](#) [121-13-308-41-001000](#) [123-43-314-41-801000](#) [123-43-420-41-001000](#) [123-87-320-41-001101](#) [122-13-316-41-001000](#) [123-13-624-41-001000](#) [123-43-306-41-001000](#) [12-3513-11](#) [123-91-320-41-001000](#) [126-43-310-41-002000](#) [AKSUN 37V-T](#) [1437503-9](#) [1437504-1](#) [146-44-308-41-013000](#) [APO-320-G-T](#) [146-43-308-41-012000](#) [160-10-308-00-001000](#) [160-40-320-00-001000](#) [214-99-306-01-670800](#) [232-1270-02-0602](#) [2-382761-4](#) [2-5331677-4](#)