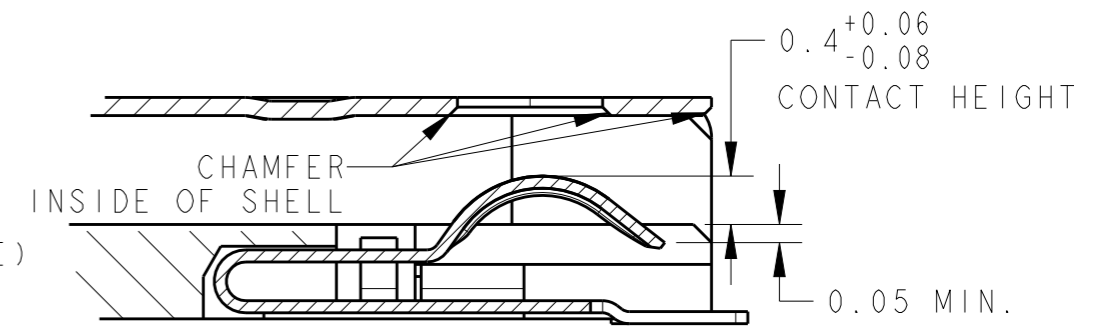
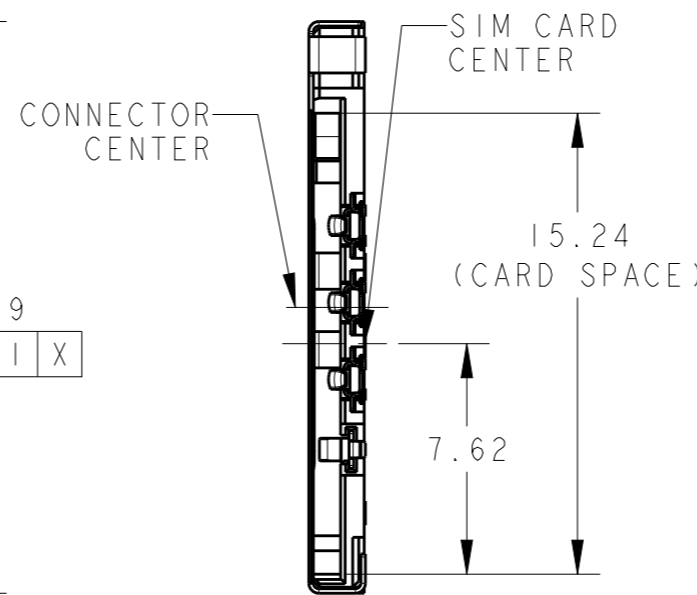
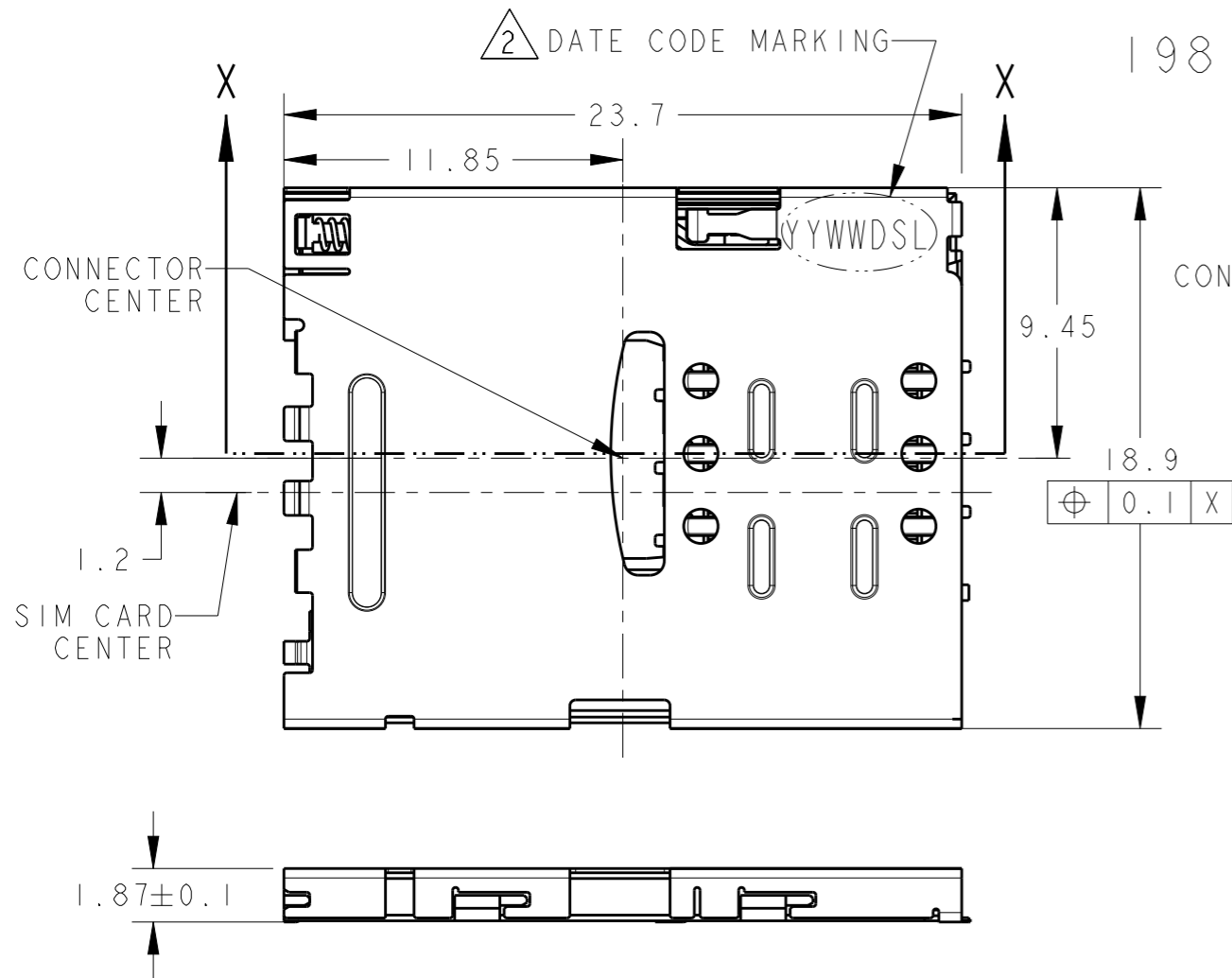


THIS DRAWING IS UNPUBLISHED. RELEASED FOR PUBLICATION 20071017
 © COPYRIGHT 2007 BY TYCO ELECTRONICS CORPORATION. ALL RIGHTS RESERVED.

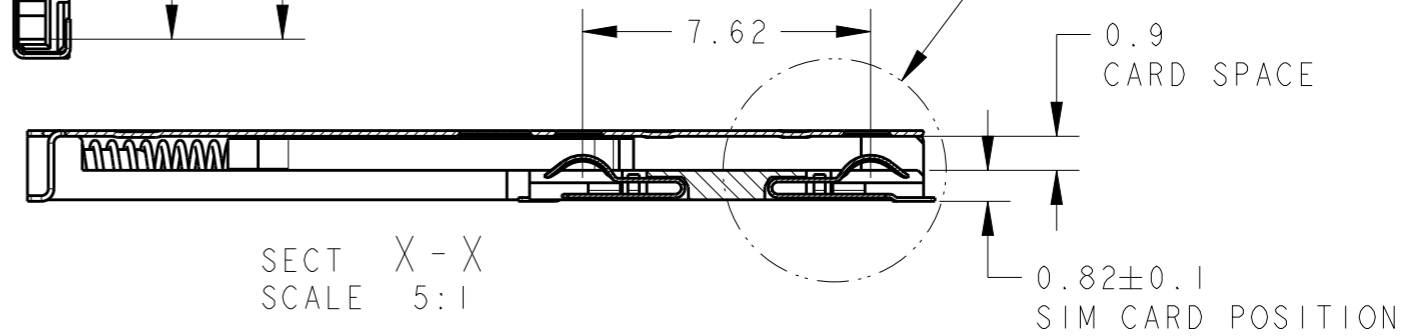
REVISIONS
 変更

P	LTR	DESCRIPTION	DATE	DWN	APVD
	DI	REVISED	27MAR2020	N.U	K.K

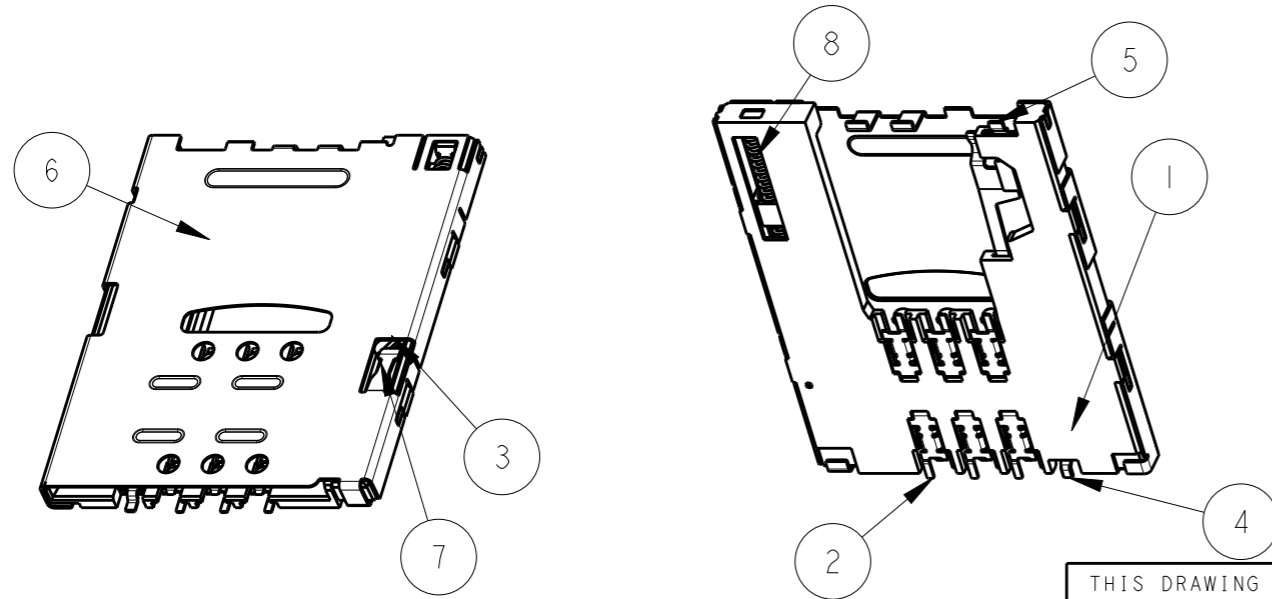
1981959-1; AS SHOWN



DETAIL A
 SCALE 16:1



SECT X-X
 SCALE 5:1



QTY	FINISH	MATERIAL	DESCRIPTION	ITEM
1	—	STEEL WIRE	COIL SPRING	8
1	—	STAINLESS	CAM ROD	7
1	ALL OVER Ni; 1um MIN SOLDERING AREA; MATTE TIN PLATING	COPPER ALLOY	SHELL	6
1	ALL OVER Ni; 1um MIN CONTACT AREA; Au 0.05um MIN SOLDERING AREA; TIN PLATING	COPPER ALLOY	SWITCH B	5
1	ALL OVER Ni; 1um MIN CONTACT AREA; Au 0.05um MIN SOLDERING AREA; TIN PLATING	COPPER ALLOY	SWITCH A	4
1	COLOR; BLACK	LCP	SLIDER	3
6	ALL OVER Ni; 1um MIN CONTACT AREA; Au 0.4um MIN SOLDERING AREA; Au 0.05um MIN	COPPER ALLOY	CONTACT	2
1	COLOR; BLACK	LCP	HOUSING	1

1. CONNECTOR INITIAL COPLANARITY; 0.1mmMAX.

2. MARK DATE CODE

THIS DRAWING IS A CONTROLLED DOCUMENT.

DIMENSIONS: 単位: 耗 mm	TOLERANCES UNLESS OTHERWISE SPECIFIED: 一般公差 ±0.12 0 PLC ± 1 PLC ± 2 PLC ± 3 PLC ± 4 PLC ± ANGLES ±	DWN 02NOV2007 C. OHASHI CHK 02NOV2007 Y. NAKAZAWA APVD 08NOV2007 T. FUJATSUGI	TE Connectivity	
MATERIAL 材料 SEE TABLE	FINISH 仕上 SEE TABLE	PRODUCT SPEC 製品規格 108-78454	NAME 名称 SIM CONNECTOR PUSH-PUSH TYPE HI.87 WITH SWITCH	
WEIGHT 1.2g		APPLICATION SPEC 取付適用規格	SIZE A300779	RESTRICTED TO -
Customer Drawing		DRAWING NO C-1981959	SCALE 尺度 4:1	SHEET 1 OF 5

THIS DRAWING IS UNPUBLISHED.

RELEASED FOR PUBLICATION

20071017

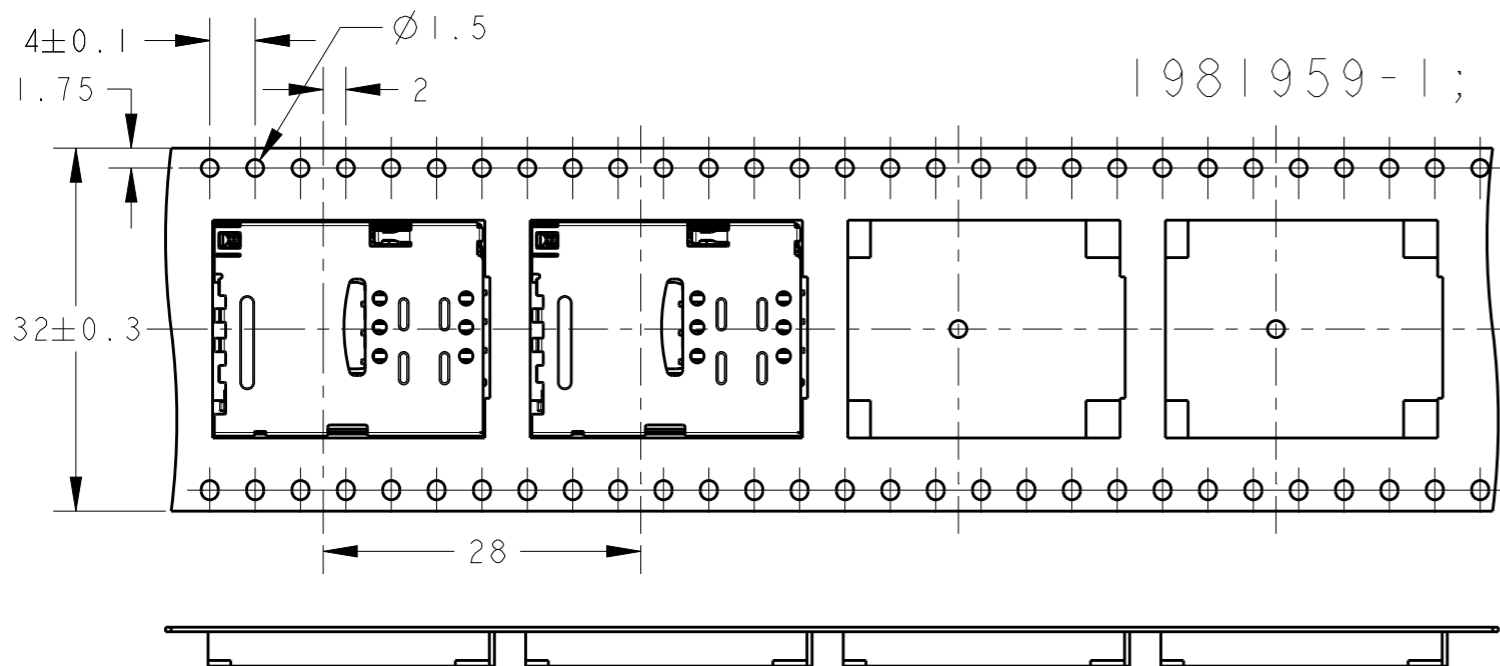
© COPYRIGHT 2007 BY TYCO ELECTRONICS CORPORATION. ALL RIGHTS RESERVED.

REVISIONS

変更

P	LTR	DESCRIPTION	DATE	DWN	APVD

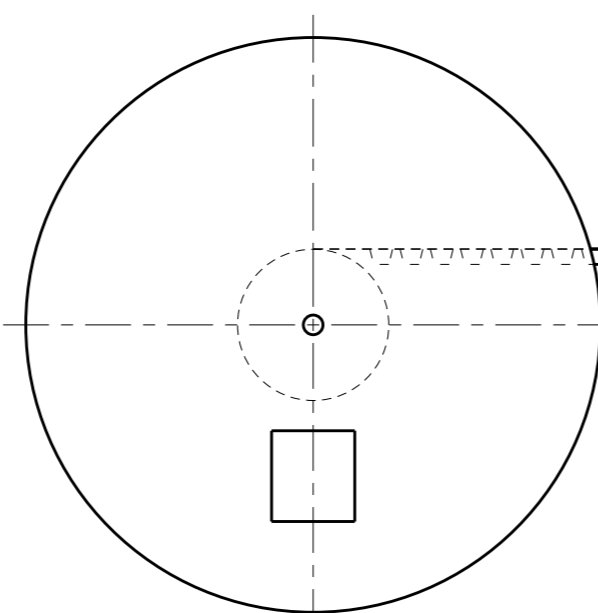
1981959-1; AS SHOWN



FRANGE CORE DIA
Ø100±1

Ø380±1
REEL DIA.

32.4⁺²₀
38.4 MAX
REEL WIDTH



300 REF
空部
WITHOUT CHARGE

300 REF
カバーテープリーダ部
WEEDING THE COVER TAPE

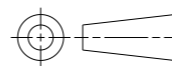
剥離角度165°~180°
PEELING ANGLE
剥離強度; 0.1~1.3N MAX(300mm/min)
PEELING STRENGTH

製品装填部
WITH PRODUCT CHARGE
800個/1リール
800EA/1REEL

空部 7~10穴
WITHOUT CHARGE
7~10HOLES

THIS DRAWING IS A CONTROLLED DOCUMENT.

DIMENSIONS:
単位: 耗
mm



MATERIAL
材料

TOLERANCES UNLESS
OTHERWISE SPECIFIED:

- 一般公差 ±0.2
- 0 PLC ±
- 1 PLC ±
- 2 PLC ±
- 3 PLC ±
- 4 PLC ±
- ANGLES ±
- FINISH 仕上

DWN
CHK
APVD
PRODUCT SPEC 製品規格
APPLICATION SPEC 取付適用規格
WEIGHT
Customer Drawing

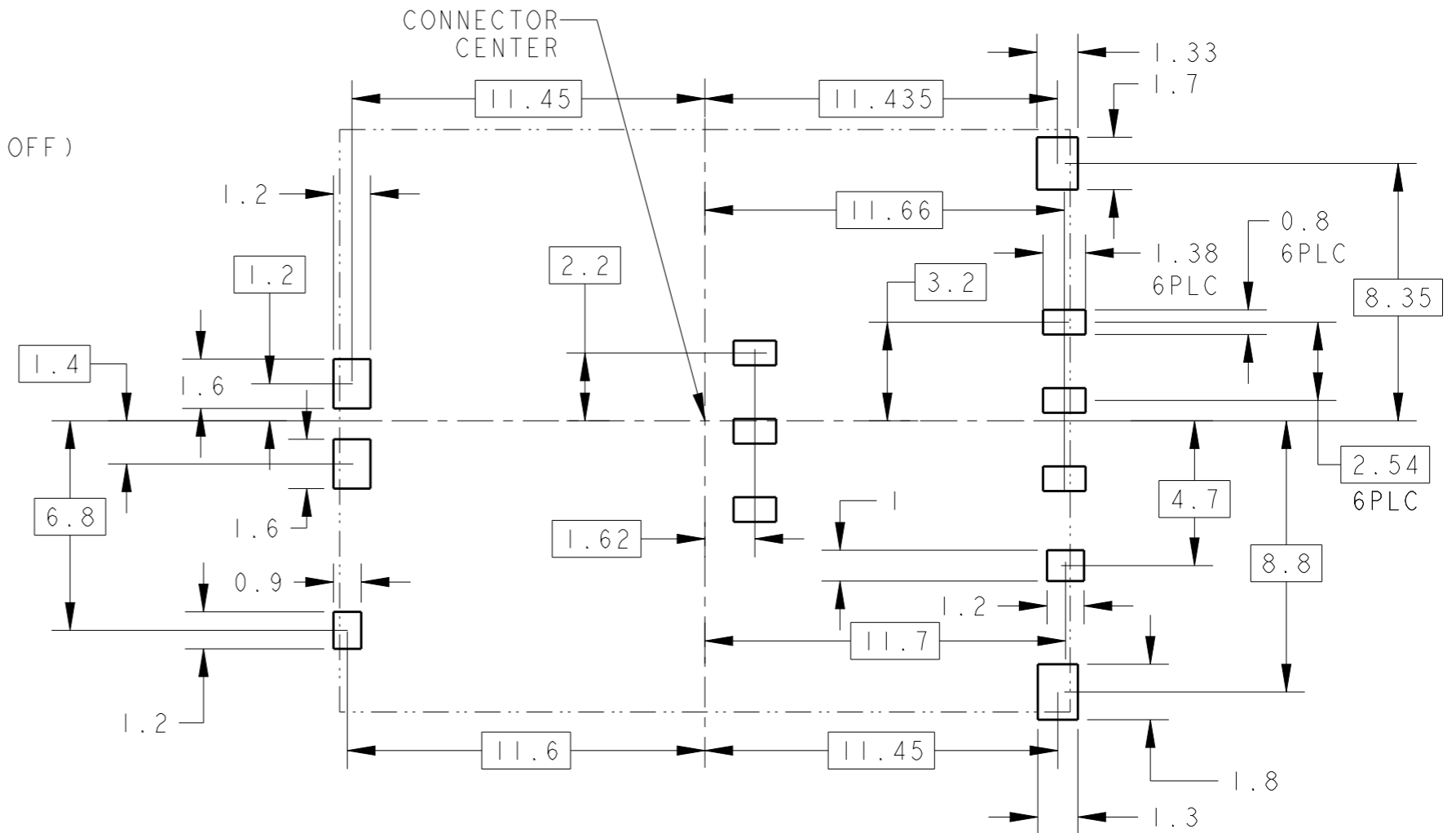
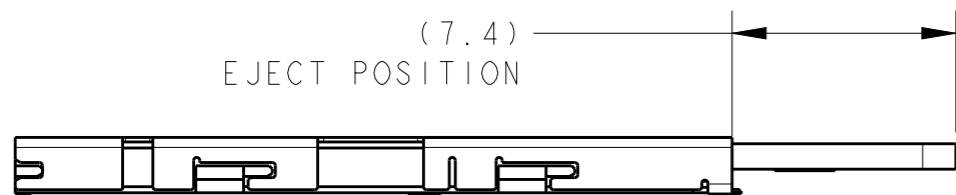
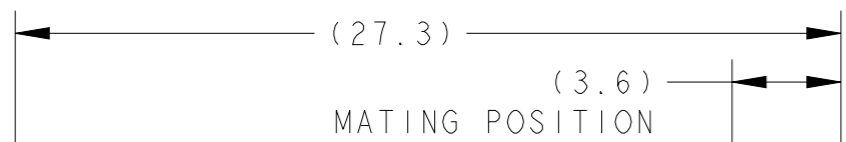
STE TE Connectivity

NAME 名称			
SIM CONNECTOR PUSH-PUSH TYPE HI.87 WITH SWITCH			
SIZE	CAGE CODE	DRAWING NO 番号	RESTRICTED TO
A3	00779	C-1981959	-
SCALE 尺度		SHEET	REV
4:1		2 OF 5	D1

P	LTR	DESCRIPTION	DATE	DWN	APVD

ONLY FOR ENGINEERING EVALUATION

CARD POSITION



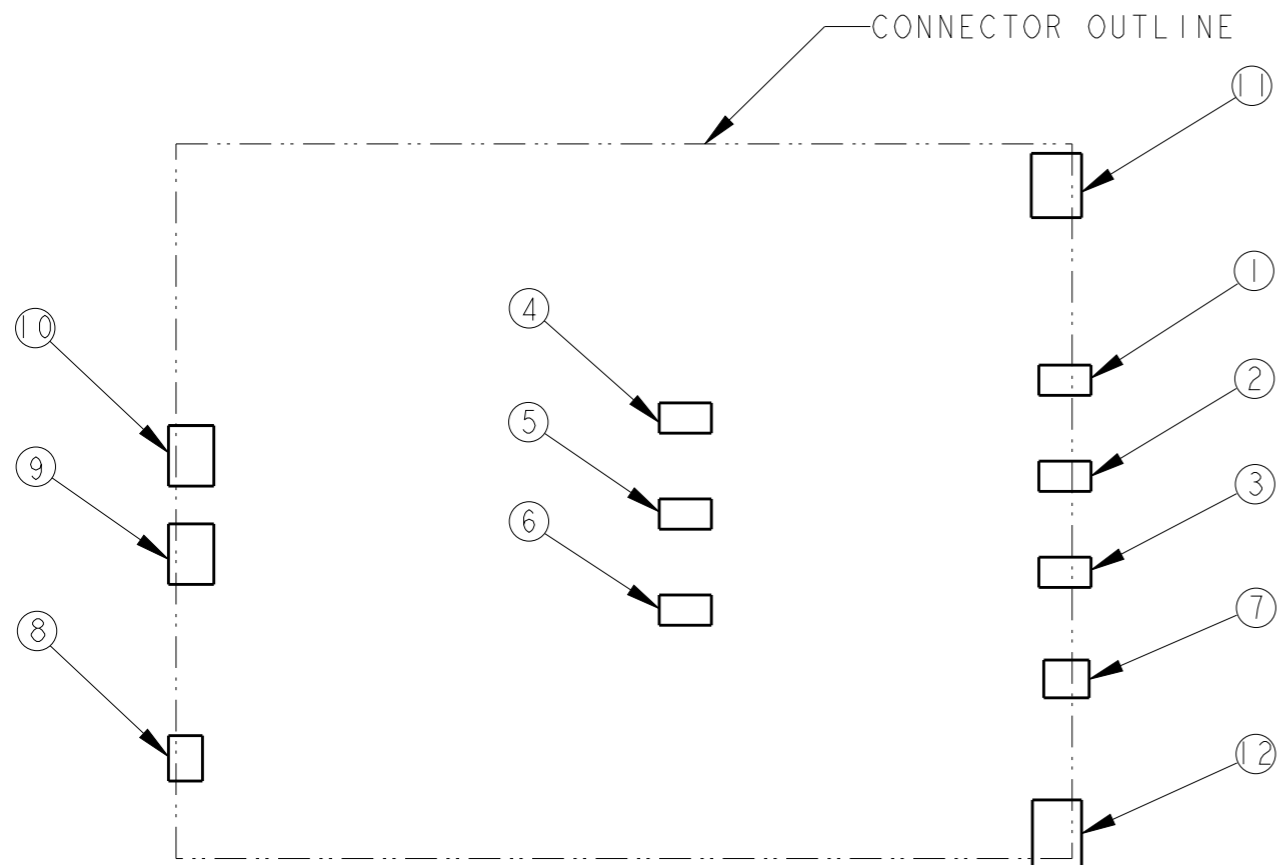
REFERENCE PCB LAYOUT
GENERAL TOLERANCE: ±0.05mm
SCALE 5:1

- 1 THIS CONNECTOR DOES NOT HAVE LOCK
- 2 RECOMMENDED SOLDERING THICKNESS; 100µm MIN.
RECOMMENDED SOLDERING AREA: 100% OF REFERENCE LAYOUT PATTERN.

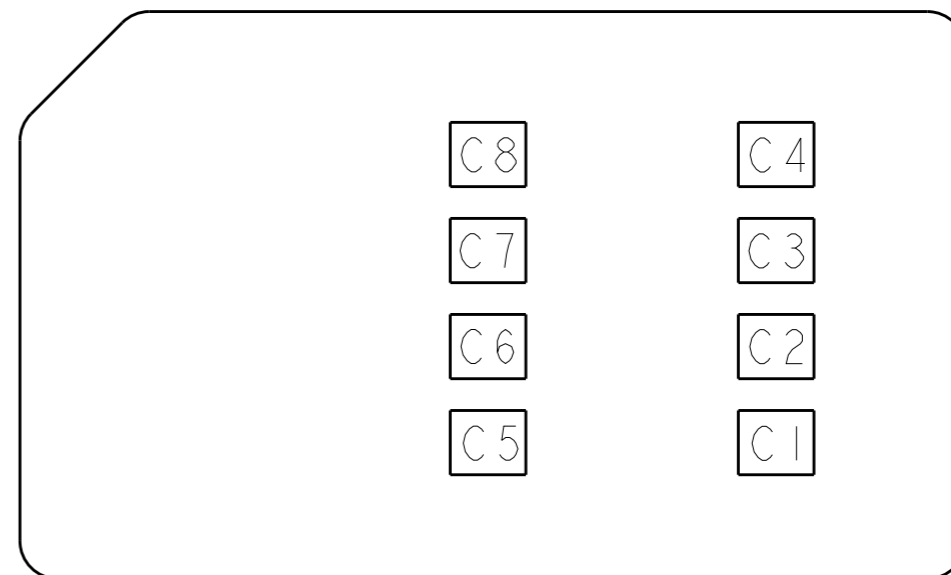
THIS DRAWING IS A CONTROLLED DOCUMENT.		DWN	STE TE Connectivity	
DIMENSIONS: 單位: 耗 mm		CHK		
TOLERANCES UNLESS OTHERWISE SPECIFIED: 一般公差 ±0.12		APVD	NAME 名称	
0 PLC ±		PRODUCT SPEC 製品規格	SIM CONNECTOR PUSH-PUSH TYPE HI.87 WITH SWITCH	
1 PLC ±		APPLICATION SPEC 取付適用規格	SIZE	RESTRICTED TO
2 PLC ±		WEIGHT	A300779	-
3 PLC ±		DRAWING NO 番号		
4 PLC ±		C=1981959		
ANGLES ±		SCALE 尺度		
FINISH 仕上		4:1		
MATERIAL 材料		SHEET 張数		
Customer Drawing		3 OF 5		
		REV 版次		
		DI		

P	LTR	DESCRIPTION	DATE	DWN	APVD

ONLY FOR ENGINEERING EVALUATION



PCB LAYOUT(REFERENCE)
(VIEWED FROM CONNECTOR MOUNT SIDE)




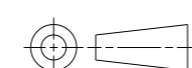
SIM CARD PAD LAYOUT

SIM CARD PIN ASSIGNMENT

PIN NO.	NAME
C1	Vcc
C2	RST
C3	CLK
C4	RESERVED
C5	GND
C6	Vpp
C7	I/O
C8	RESERVED

CONNECTOR PIN ASSIGNMENT

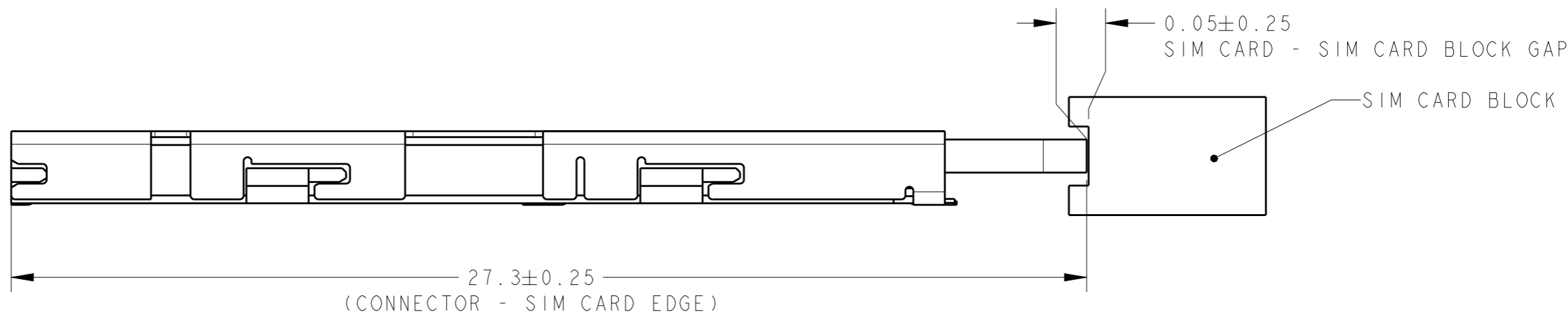
NO.	PIN NAME	DESCRIPTION
①	C1	Vcc OF SIM
②	C2	RST OF SIM
③	C3	CLK OF SIM
④	C5	GND OF SIM
⑤	C6	Vpp OF SIM
⑥	C7	I/O OF SIM
⑦	SWA	DETECT SWITCH
⑧	SWB	DETECT SWITCH
⑨ ~ ⑫	GND	SHELL GROUND

THIS DRAWING IS A CONTROLLED DOCUMENT.		DWN	 TE Connectivity	
DIMENSIONS: 単位: 耗 mm		CHK		
		APVD	NAME 名称 SIM CONNECTOR PUSH-PUSH TYPE HI.87 WITH SWITCH	
TOLERANCES UNLESS OTHERWISE SPECIFIED: 一般公差 ±0.12 0-PLC ± 1-PLC ± 2-PLC ± 3-PLC ± 4-PLC ± ANGLES ±		PRODUCT SPEC 製品規格	SIZE CAGE CODE DRAWING NO 番号 A300779 C-1981959	
MATERIAL 材料		APPLICATION SPEC 取付適用規格	RESTRICTED TO	
FINISH 仕上		WEIGHT	SCALE 5:1 SHEET 4 OF 5 REV D1	
Customer Drawing				

P	LTR	DESCRIPTION	DATE	DWN	APVD

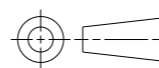
FOR ENGINEERING EVALUATION

*THERE IS NO SIM CARD LOCK IN THIS CONNECTOR.
PLEASE HOLD THE CARD EDGE AS SHOWN IN THE FIGURE BELOW AT TIME OF USE.



THIS DRAWING IS A CONTROLLED DOCUMENT.

DIMENSIONS:
単位: 耗
mm



MATERIAL
材料

TOLERANCES UNLESS OTHERWISE SPECIFIED:
一般公差 ±0.25

- 0 PLC ±
- 1 PLC ±
- 2 PLC ±
- 3 PLC ±
- 4 PLC ±
- ANGLES ±

FINISH
仕上

DWN
CHK
APVD
PRODUCT SPEC 製品規格
APPLICATION SPEC 取付適用規格
WEIGHT
Customer Drawing



NAME 名称				SIM CONNECTOR PUSH-PUSH TYPE HI.87 WITH SWITCH	
SIZE	CAGE CODE	DRAWING NO 番号	RESTRICTED TO		
A3	00779	G-1981959	-		
SCALE 尺度		SHEET		OF	REV
8:1		5		5	D1

X-ON Electronics

Largest Supplier of Electrical and Electronic Components

Click to view similar products for [Memory Card Connectors](#) category:

Click to view products by [TE Connectivity](#) manufacturer:

Other Similar products are found below :

[M21-033321-005](#) [6407-249V-25273P](#) [6407-249V-25343P](#) [6426-201-21343](#) [69.920.0553.0](#) [FCN-568P068-G/07-4V](#) [809180410000000](#)
[N7E50-7516PG-20-WF](#) [HMCAP001](#) [2041353-2](#) [33CFAE-DN](#) [502431-1011](#) [EN2997S61212BN](#) [EN2997SE61212BN](#) [NX1-32T-KT3K\(05\)](#)
[95622-003LF](#) [N7E50-U516RB-50-SIN0005](#) [95079-00CALF](#) [33DVIR-29S12R](#) [125A-78C00](#) [MI20A-50PD-SF-EJL\(71\)](#) [KP10S-SF-PEJ\(812\)](#)
[504536-0691](#) [504580-0691](#) [CCM03-3109 B LFT](#) [MI21-50PD-SF\(91\)](#) [2309923-1](#) [61126-050CAHLF](#) [IC1GA-68PD-1.27DS-EJ\(72\)](#)
[GTFP08432B1HR](#) [G85DT17001P1EU](#) [G85B21611142HHR](#) [GSD090144HR](#) [G85D1140022P1HR](#) [GMCB05801124EU](#) [G85C11101152HHR](#)
[G85B231021B1HR](#) [G85D1160022HHR](#) [112K-TAA0-RA1](#) [115S-ACA2](#) [115S-ACA3](#) [115S-BS00](#) [115S-BT00](#) [115V-AD00](#) [MCSP-Q1-08-](#)
[A-SG-T/R](#) [503960-0695](#) [101B-TAA0-R](#) [101D-TAAA-R01](#) [101D-TAAB-R01](#) [104D-TCA0-R06](#)