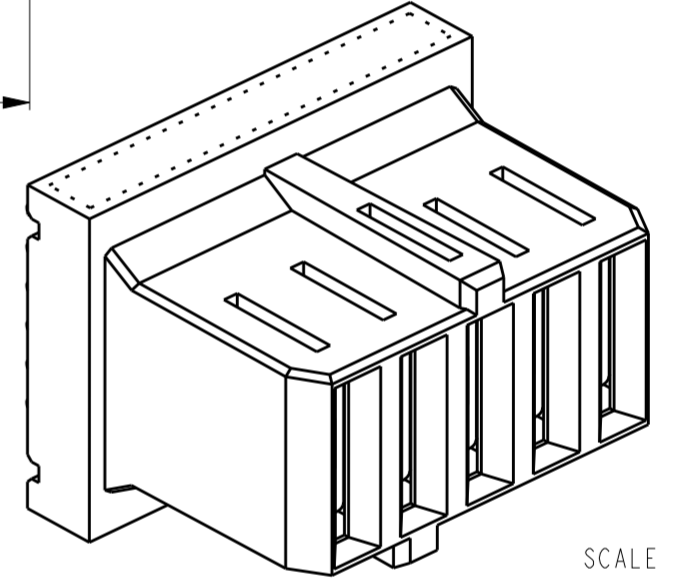
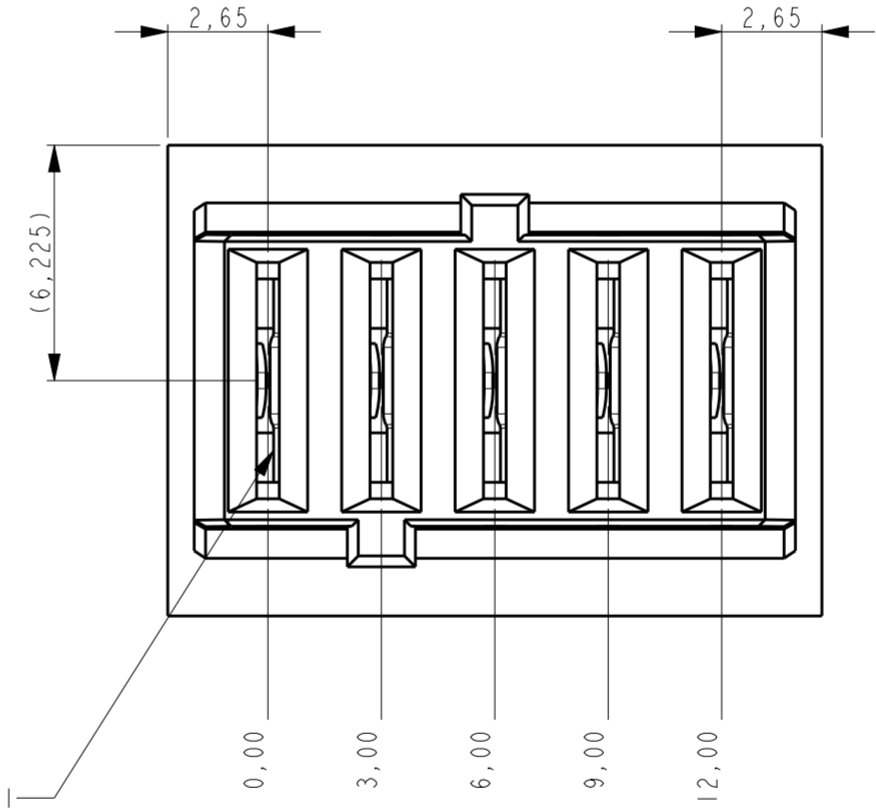
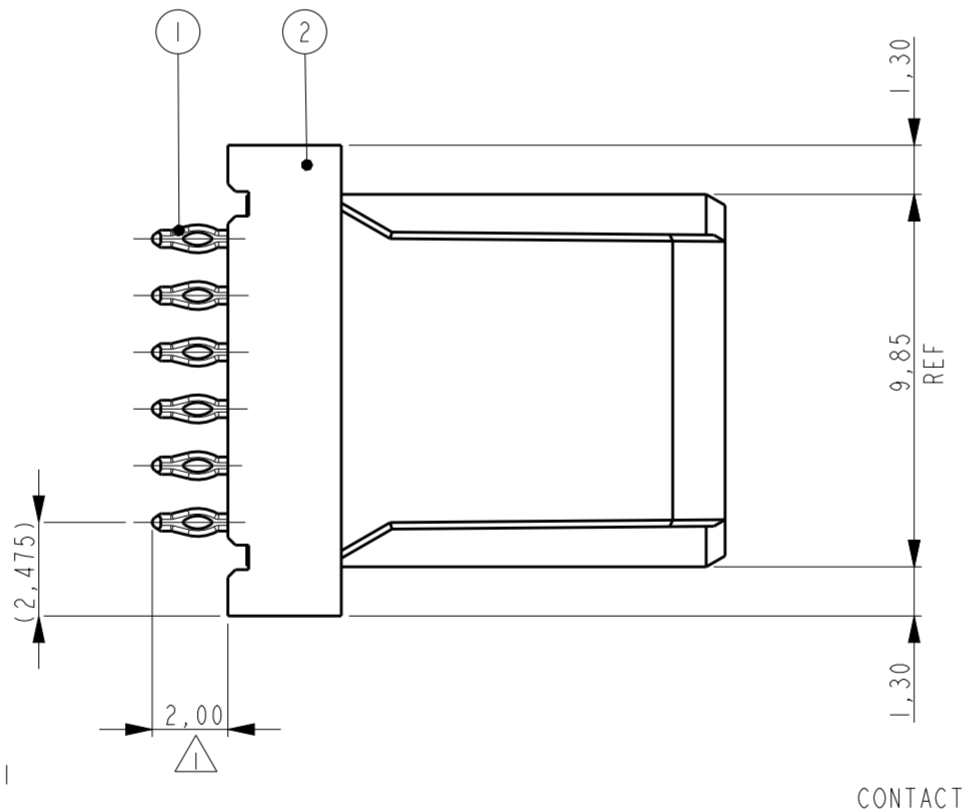
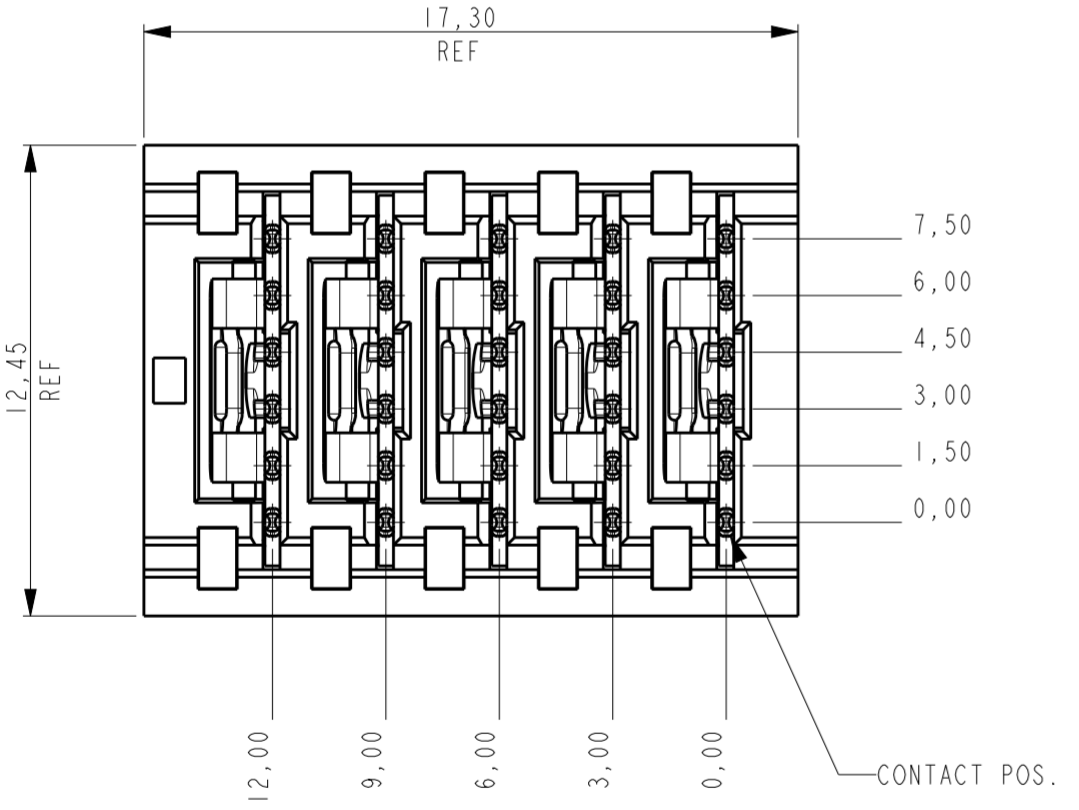
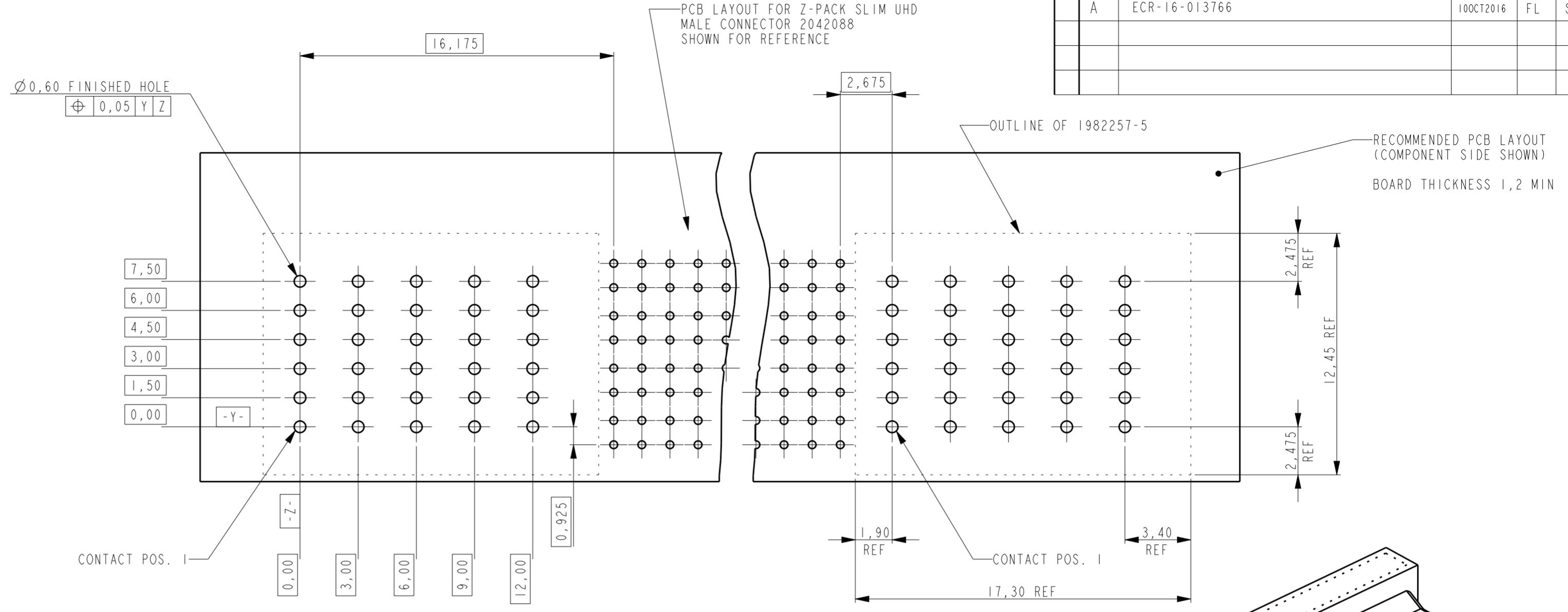
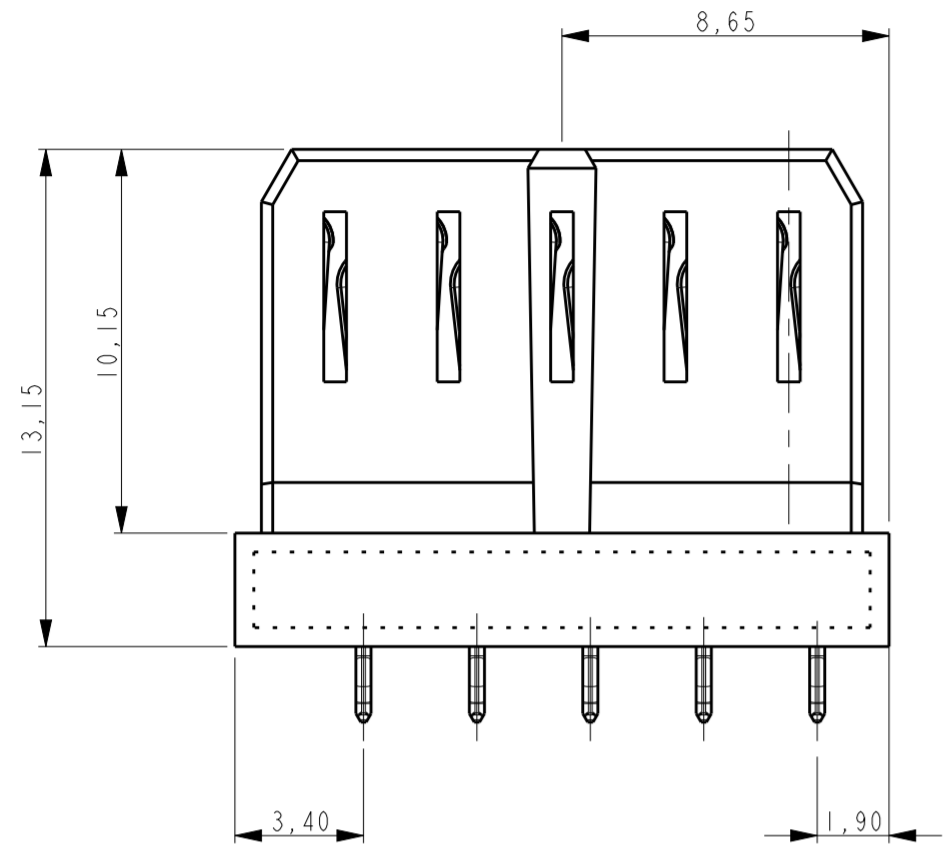
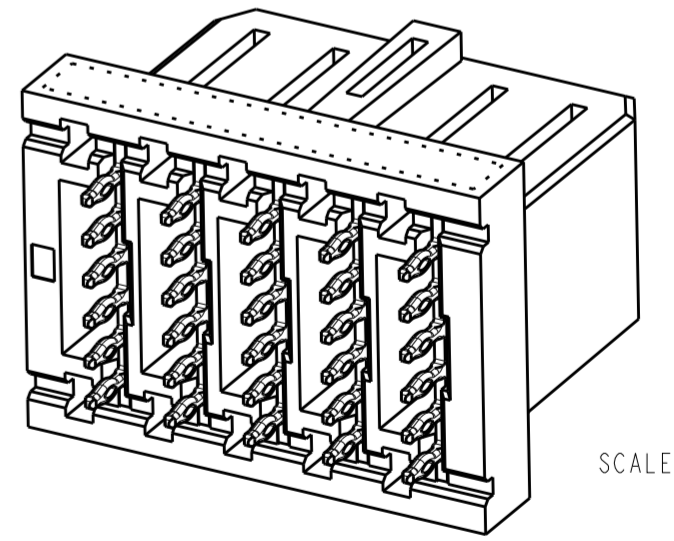


THIS DRAWING IS UNPUBLISHED. RELEASED FOR PUBLICATION
 © COPYRIGHT - BY TYCO ELECTRONICS CORPORATION. ALL RIGHTS RESERVED.

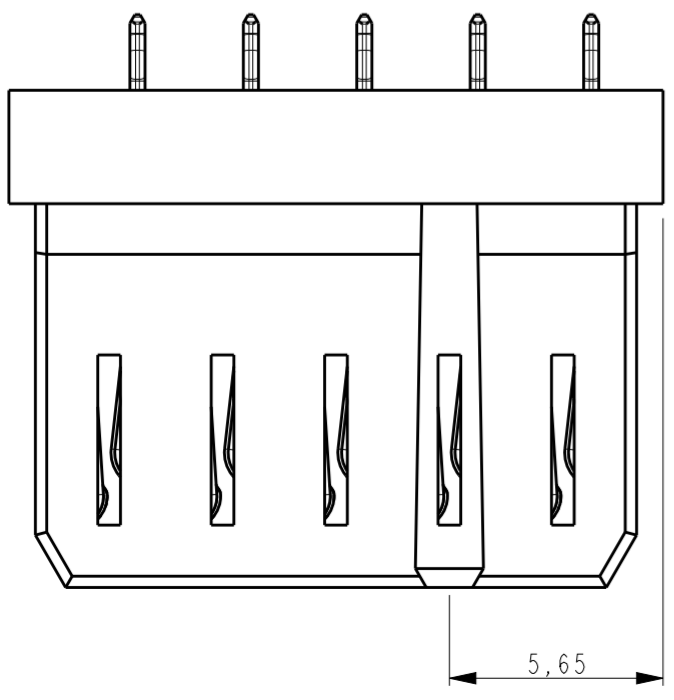
| LOC | | DIST | | REVISIONS | | | |
|-----|-----|---------------|-----------|-----------|------|--|--|
| P | LTR | DESCRIPTION | DATE | DWN | APVD | | |
| | A | ECR-16-013766 | 10OCT2016 | FL | SY | | |



SCALE 4:1



SCALE 4:1



NOTES:
 1 PLATING: 0,5µm MIN. TIN OVER NICKEL.
 2 PLATING IN CONTACT AREA
 1,27 µm MIN. Au OVER 1,27µm MIN. Ni

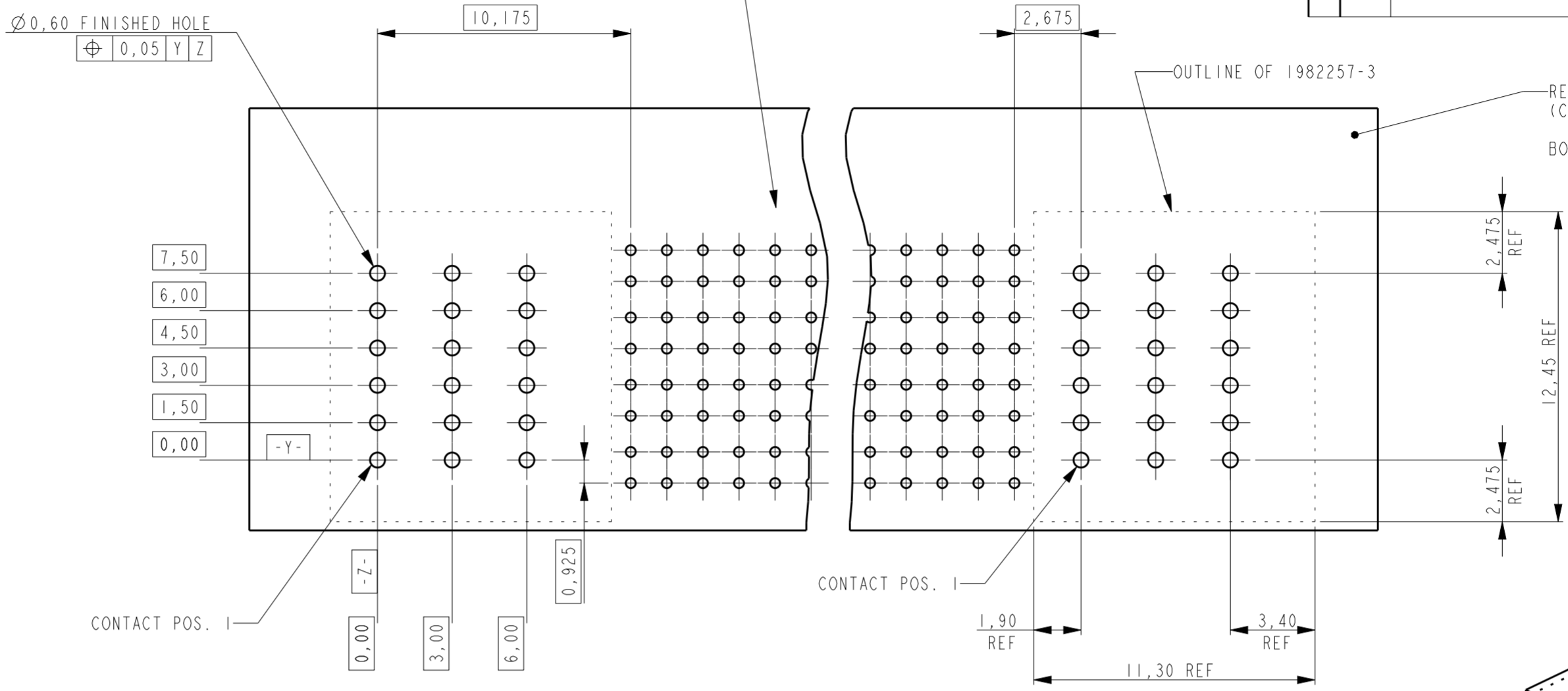
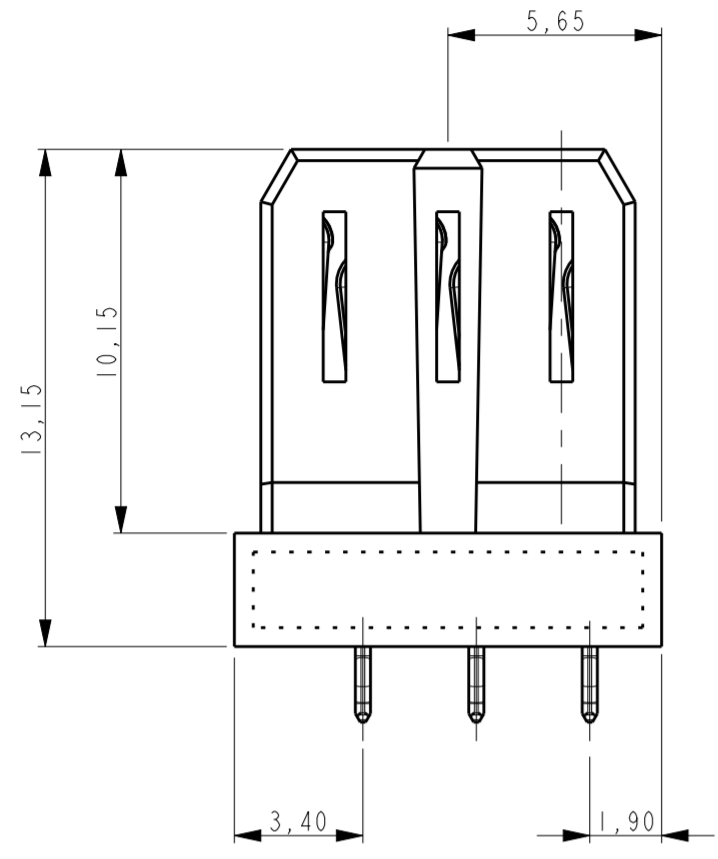
THIS DRAWING IS A CONTROLLED DOCUMENT FOR TYCO ELECTRONICS CORPORATION
 IT IS SUBJECT TO CHANGE AND THE CONTROLLING ENGINEERING ORGANIZATION
 SHOULD BE CONTACTED FOR THE LATEST REVISION.

| | | | |
|-------------|--|------------------|----------------|
| DIMENSIONS: | TOLERANCES UNLESS OTHERWISE SPECIFIED: | DWN | 28-MAY-08 |
| mm | 0 PLC ± | CHK | R. VOS |
| | 1 PLC ±0,1 | CHK | R. DAAMEN |
| | 2 PLC ±0,05 | APVD | R. V. D. SANDT |
| | 3 PLC ±0,025 | PRODUCT SPEC | 108-19367 |
| | 4 PLC ± | APPLICATION SPEC | 114-19122 |
| MATERIAL | ANGLES ±2° | WEIGHT | - |
| | FINISH | CUSTOMER DRAWING | |

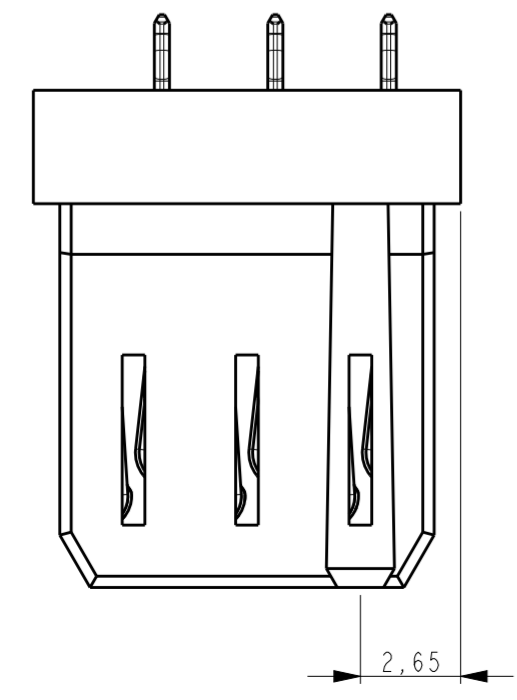
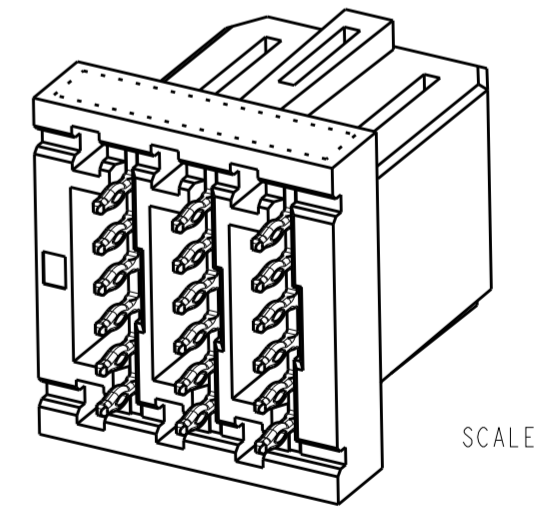
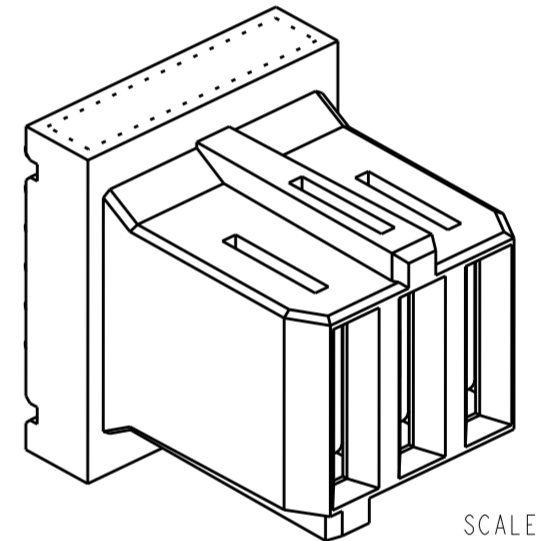
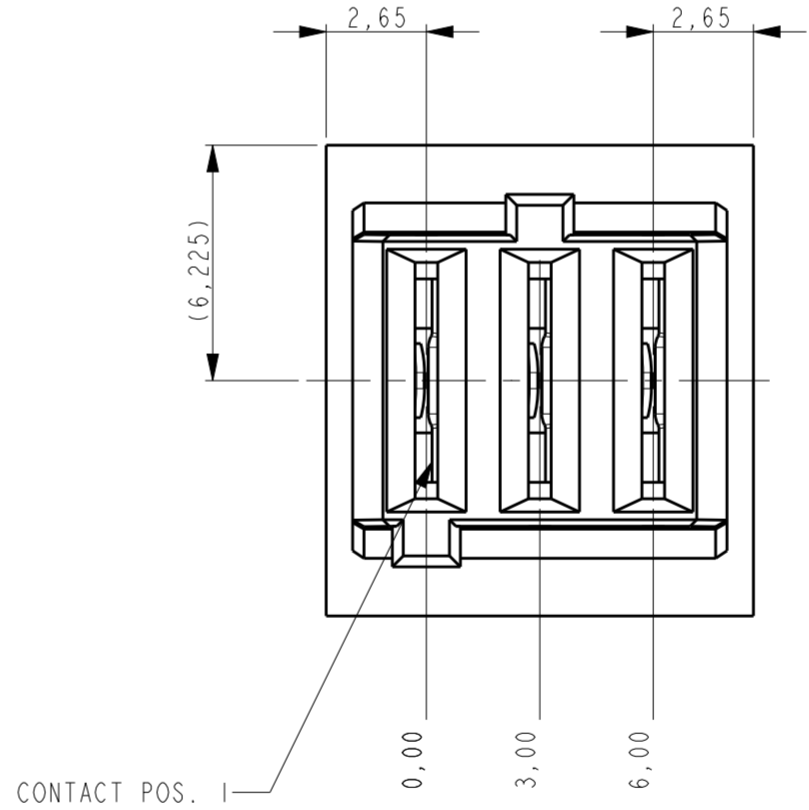
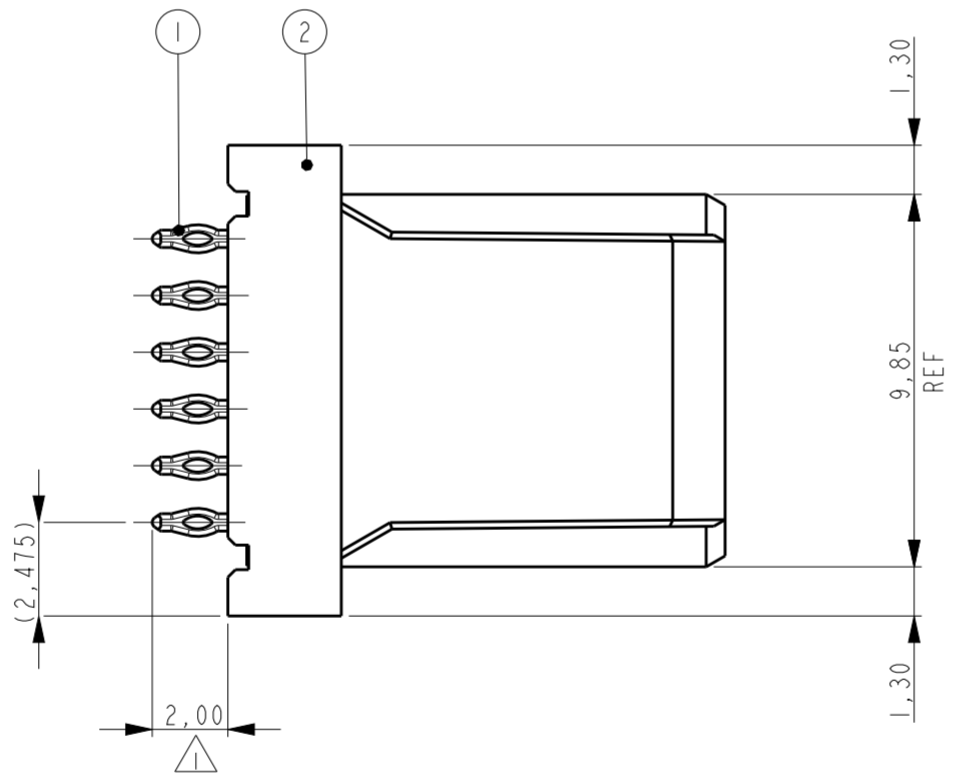
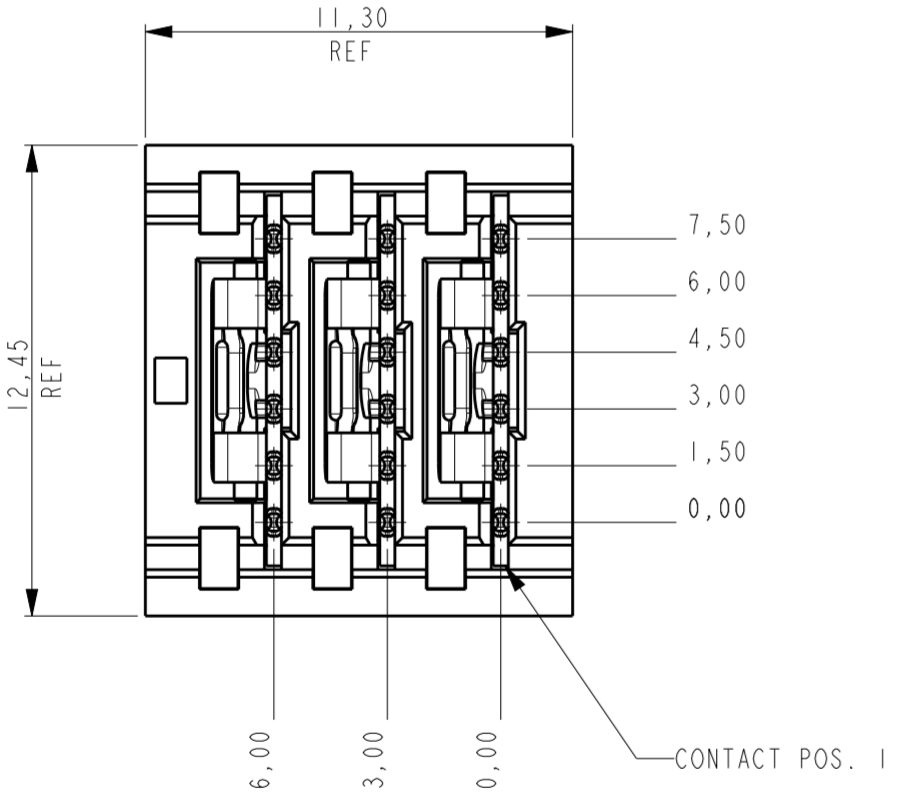
| | | |
|---|--------------------|--------------------|
| 2 | RECEPTACLE HOUSING | LCP 30% GF NATURAL |
| 1 | RECEPTACLE CONTACT | COPPER ALLOY |
| ITEM NO. | DESCRIPTION | MATERIAL |
| Tyco Electronics Corporation 's-Hertogenbosch, Nederland | | |
| NAME | | |
| RECEPTACLE ASSEMBLY VERTICAL Z-PACK SLIM UHD POWER | | |
| SIZE | CAGE CODE | DRAWING NO |
| A2 | 00779 | C-1982257 |
| RESTRICTED TO | | |
| SCALE 5:1 | | SHEET 1 OF 2 |
| | | REV A |

THIS DRAWING IS UNPUBLISHED. RELEASED FOR PUBLICATION
 © COPYRIGHT - BY TYCO ELECTRONICS CORPORATION. ALL RIGHTS RESERVED.

| LOC | DIST | REVISIONS | | | | | |
|-----|------|-----------|-----|-------------|------|-----|------|
| H | - | P | LTR | DESCRIPTION | DATE | DWN | APVD |
| | | - | | SEE SHEET 1 | | | |



RECOMMENDED PCB LAYOUT
 (COMPONENT SIDE SHOWN)
 BOARD THICKNESS 1,2 MIN



NOTES:
 1 PLATING: 0,5µm MIN. TIN OVER NICKEL.
 2 PLATING IN CONTACT AREA
 1,27 µm MIN. Au OVER 1,27µm MIN. Ni

1982257-3 AS SHOWN

| 2 | RECEPTACLE HOUSING | LCP 30% GF NATURAL |
|--|--------------------|------------------------------|
| 1 | RECEPTACLE CONTACT | COPPER ALLOY |
| ITEM NO. | DESCRIPTION | MATERIAL |
| Tyco Electronics Corporation 's-Hertogenbosch, Nederland | | |
| NAME: RECEPTACLE ASSEMBLY VERTICAL Z-PACK SLIM UHD POWER | | |
| SIZE | CAGE CODE | DRAWING NO |
| A2 | 00779 | C-1982257 |
| RESTRICTED TO | | |
| CUSTOMER DRAWING | | SCALE 1:1 SHEET 2 OF 2 REV A |

| | | |
|--|---|--|
| THIS DRAWING IS A CONTROLLED DOCUMENT FOR TYCO ELECTRONICS CORPORATION IT IS SUBJECT TO CHANGE AND THE CONTROLLING ENGINEERING ORGANIZATION SHOULD BE CONTACTED FOR THE LATEST REVISION. | | DWN J.VOS 28-MAY-08 CHK R.DAAMEN 28-MAY-08 APVD R.VD.SANDT PRODUCT SPEC 108-19367 APPLICATION SPEC 114-19122 WEIGHT - MATERIAL - |
| DIMENSIONS: | TOLERANCES UNLESS OTHERWISE SPECIFIED: | |
| mm | 0 PLC ± 1 PLC ±0,1 2 PLC ±0,05 3 PLC ±0,025 4 PLC ± ANGLES ±2° FINISH | |
| | | |

X-ON Electronics

Largest Supplier of Electrical and Electronic Components

Click to view similar products for [Hard Metric Connectors](#) category:

Click to view products by [TE Connectivity](#) manufacturer:

Other Similar products are found below :

[6345127-1](#) [646916-9](#) [6469658-1](#) [973108](#) [1-2000713-0](#) [1-2000713-2](#) [1-2000713-3](#) [1645343-1](#) [1645456-1](#) [1645594-1](#) [1645595-1](#) [1645601-1](#)
[1934822-1](#) [278071110010833](#) [1645179-1](#) [1645245-1](#) [1645457-1](#) [1645525-1](#) [1645570-1](#) [1645596-1](#) [17041102202](#) [1857470-1](#) [1934275-1](#)
[1934289-1](#) [1934759-1](#) [2000673-1](#) [2170292-2](#) [2-536642-6](#) [3-106015-1](#) [352188-1](#) [352629-1](#) [5120823-1](#) [5120899-1](#) [3-100145-0](#) [3-100147-0](#)
[3-100669-1](#) [3-106081-0](#) [HM2DK2368PLF](#) [5646530-1](#) [3-352049-0](#) [3-352069-0](#) [3-352115-0](#) [3-352638-0](#) [352189-1](#) [3-646357-0](#) [3-646487-0](#)
[3-646513-0](#) [104108](#) [106726-1](#) [114352](#)