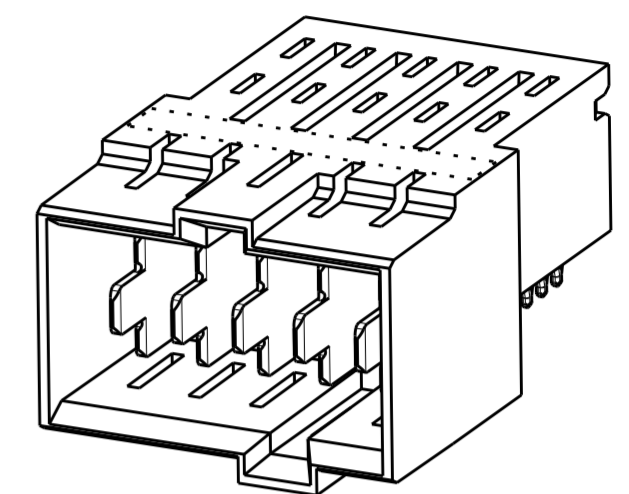
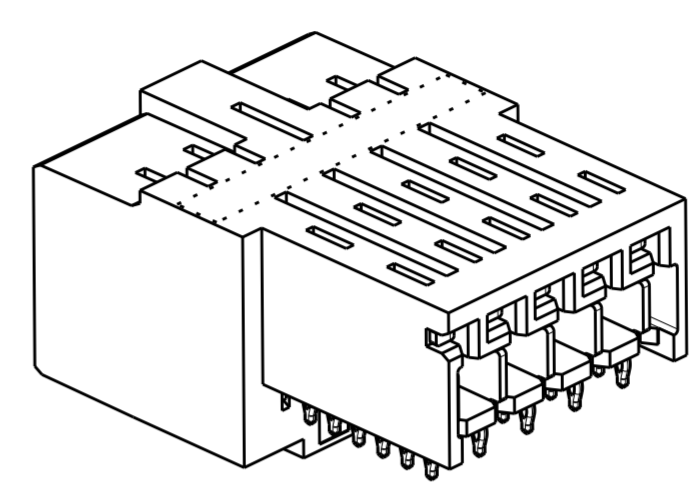
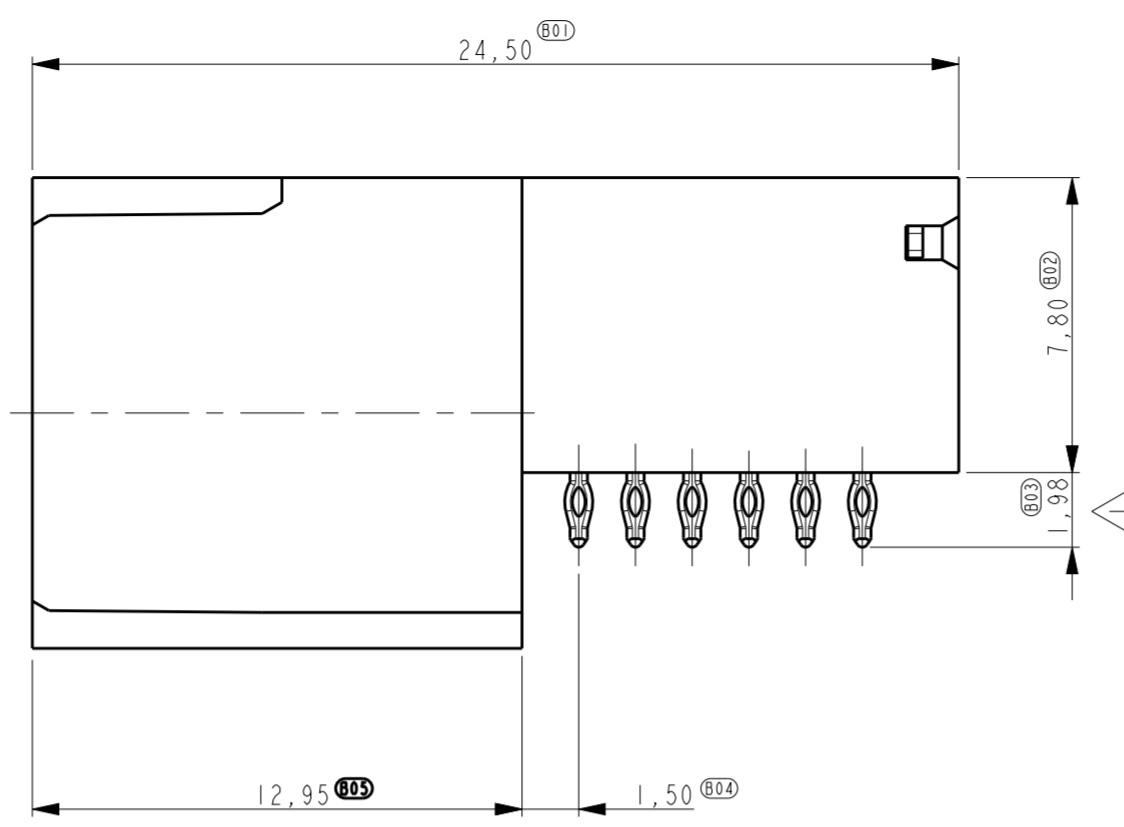
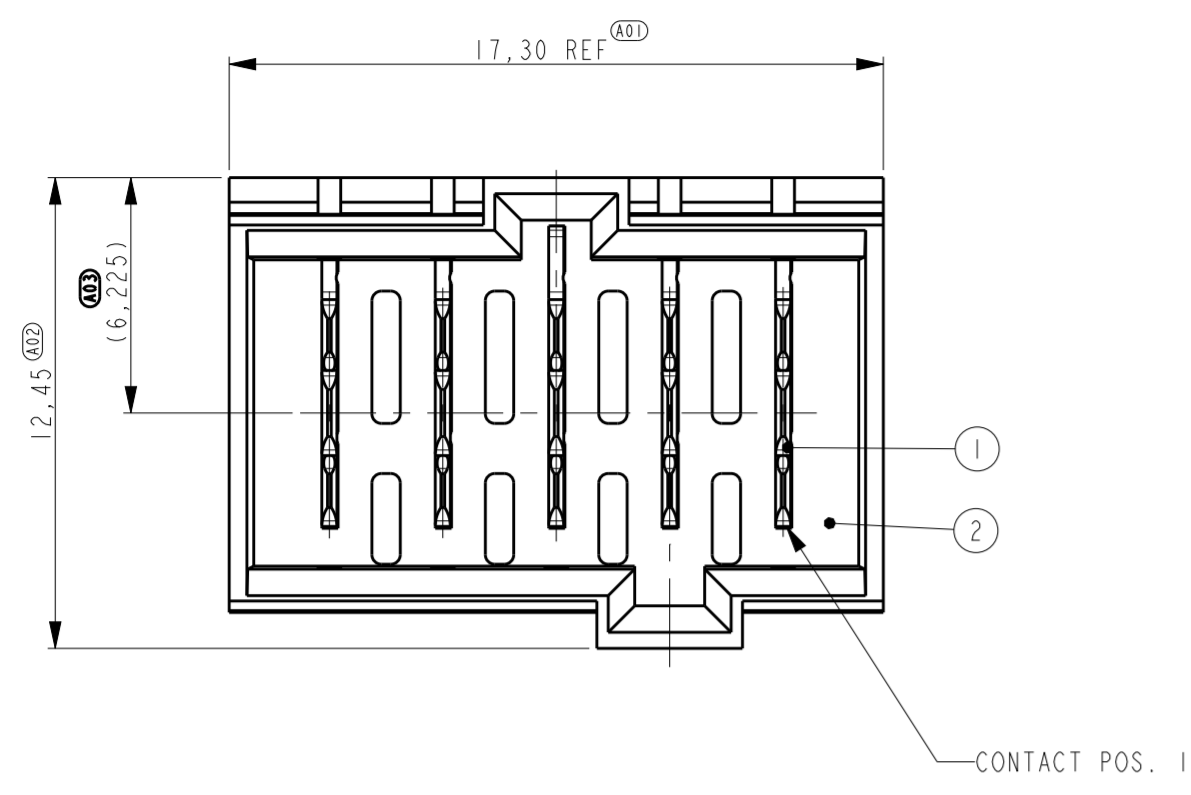


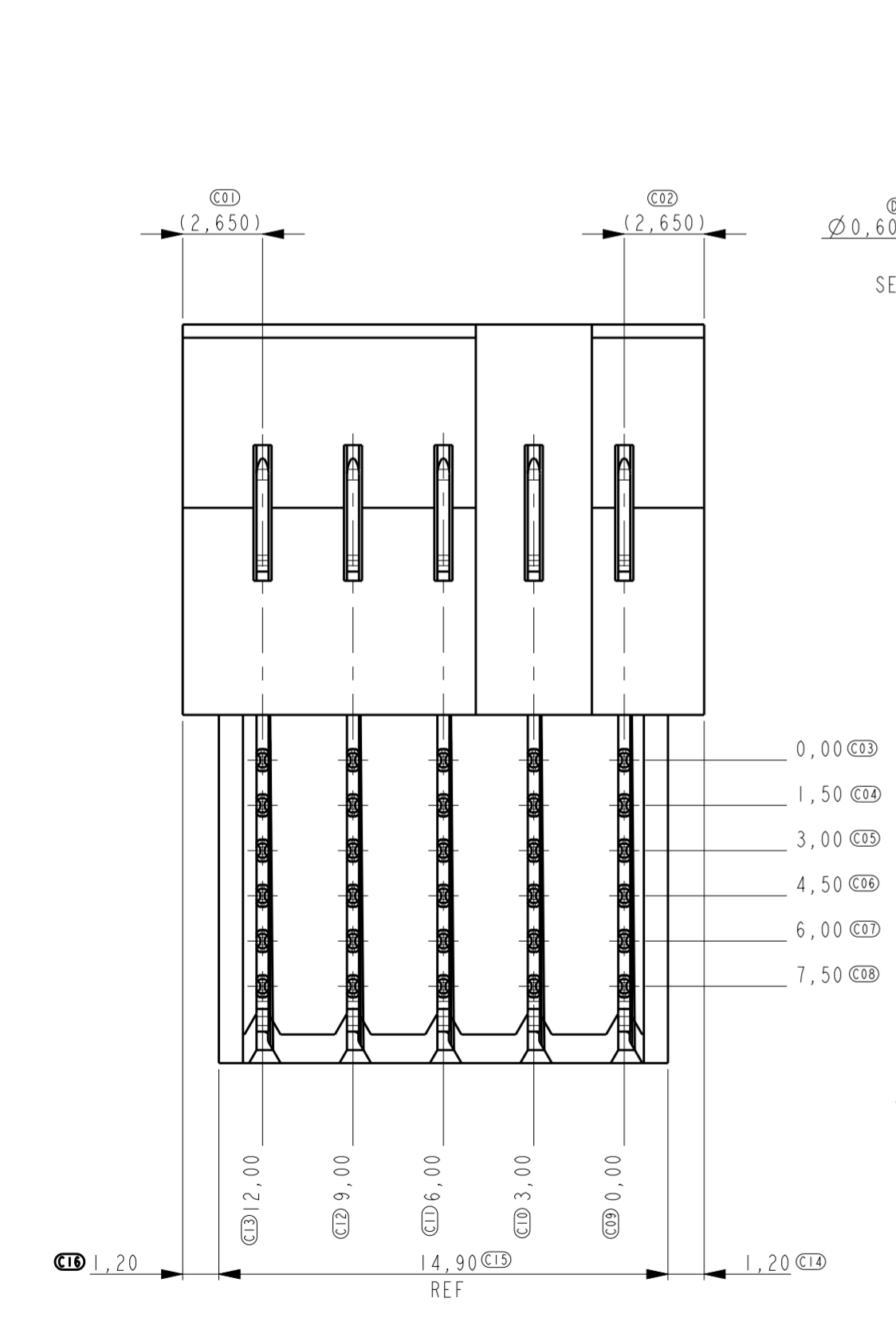
THIS DRAWING IS UNPUBLISHED. RELEASED FOR PUBLICATION  
 © COPYRIGHT - BY TYCO ELECTRONICS CORPORATION. ALL RIGHTS RESERVED.

LOC	DIST	REVISIONS					
H	-	P	LTR	DESCRIPTION	DATE	DWN	APVD
		A		ECR-16-013766	10OCT2016	FL	SY

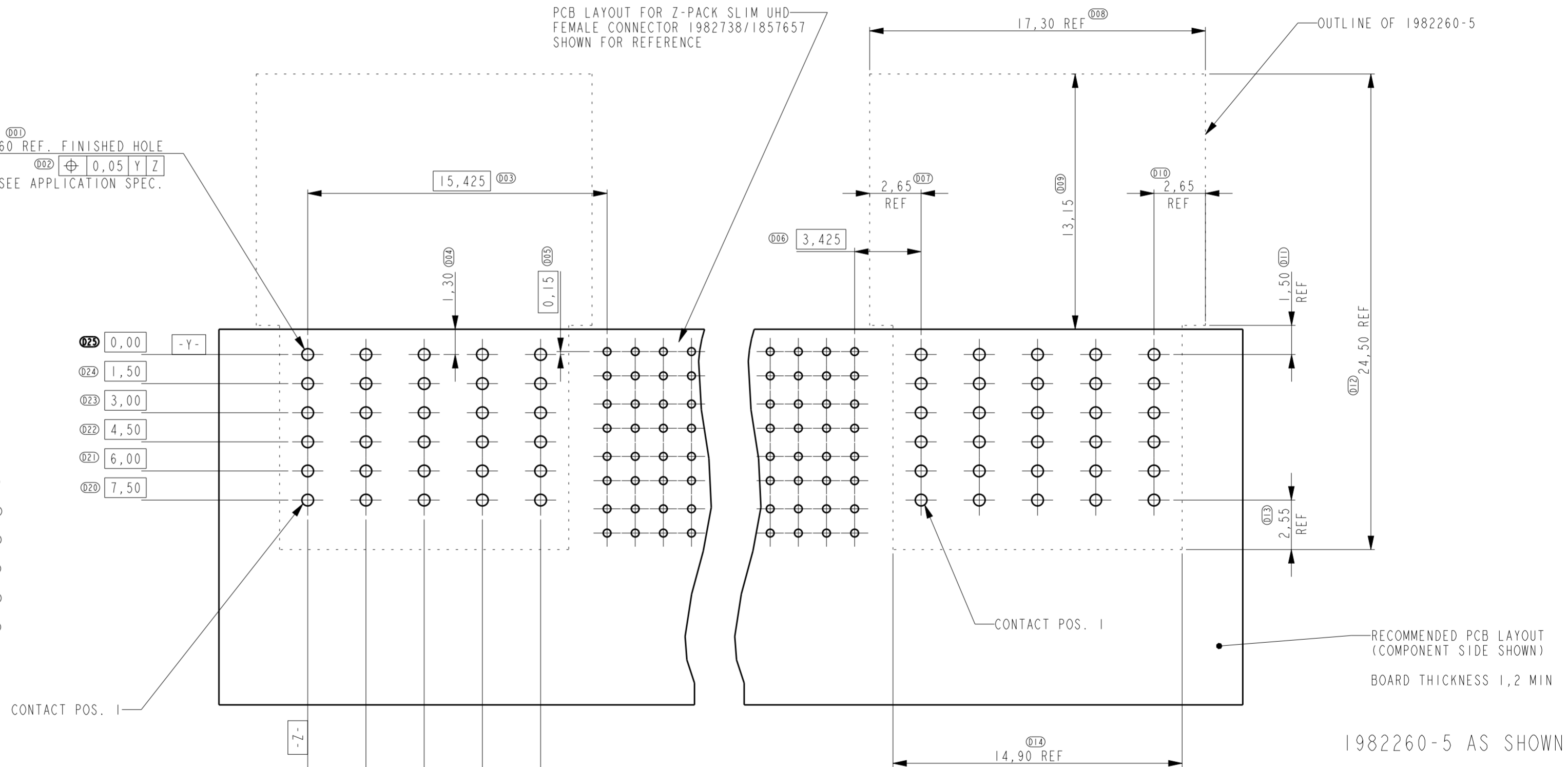


SCALE 3:1

SCALE 3:1



Ø 0,60 REF. FINISHED HOLE  
 ⊕ 0,05 | Y | Z  
 SEE APPLICATION SPEC.



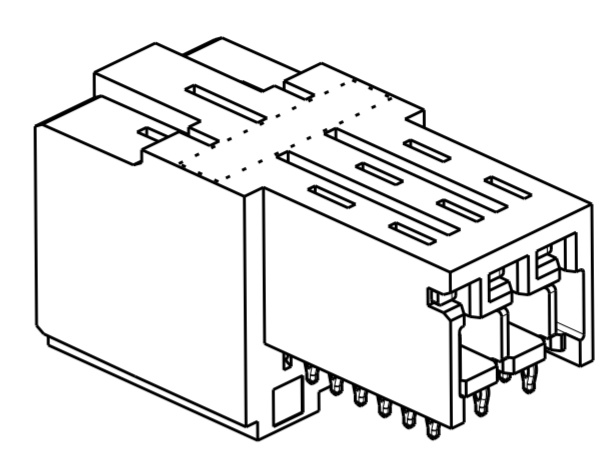
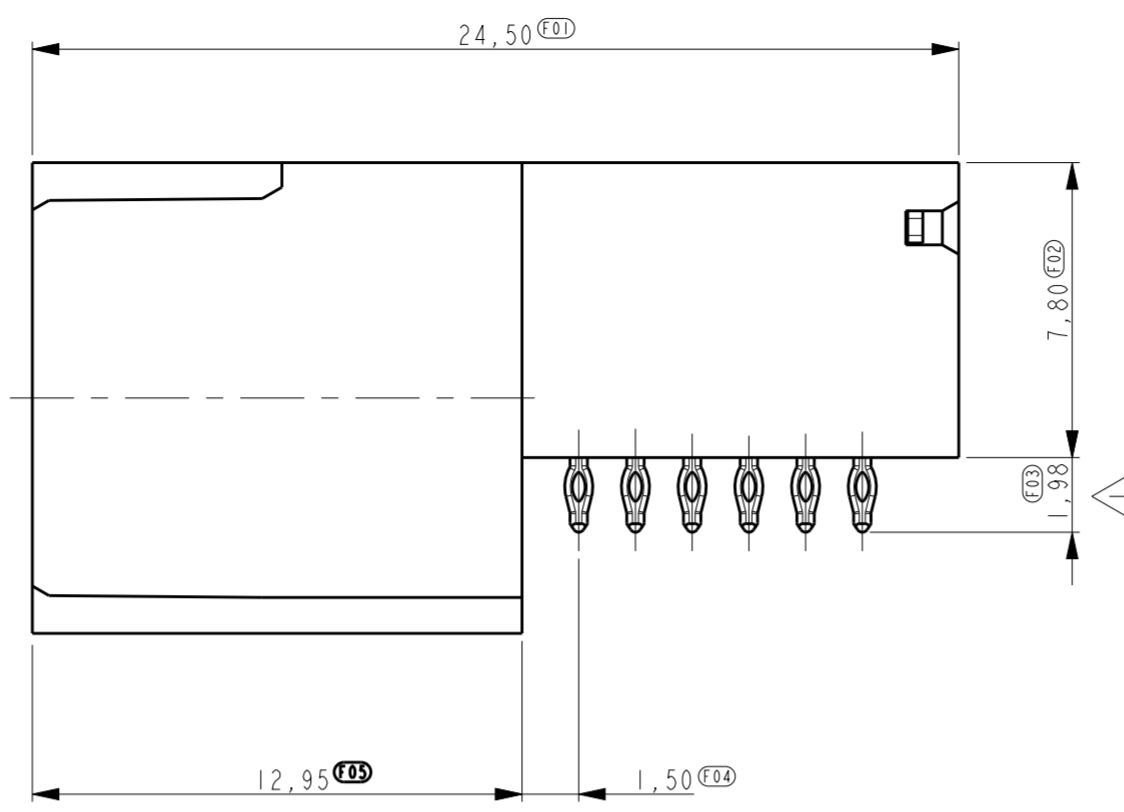
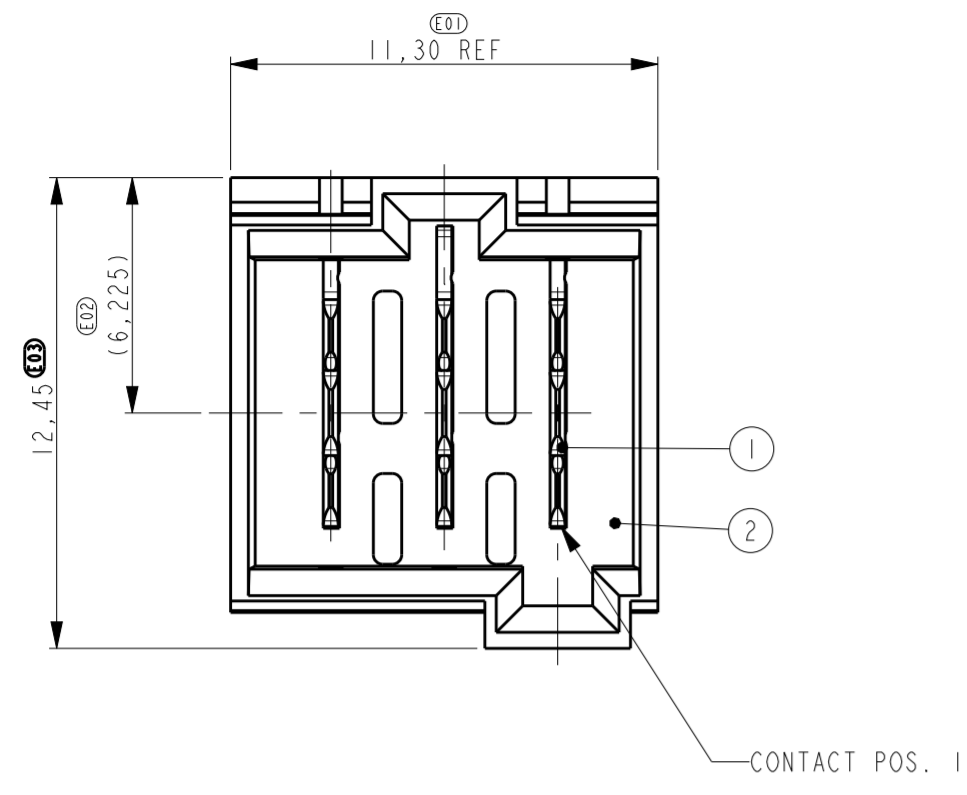
NOTES:  
 1 PLATING: 0,5µm MIN. TIN OVER NICKEL.  
 2 PLATING IN CONTACT AREA  
 1,27 µm MIN. Au OVER 1,27µm MIN. Ni

2	PLUG HOUSING	LCP 30% GF NATURAL
1	PLUG CONTACT	COPPER ALLOY
ITEM NO.	DESCRIPTION	MATERIAL

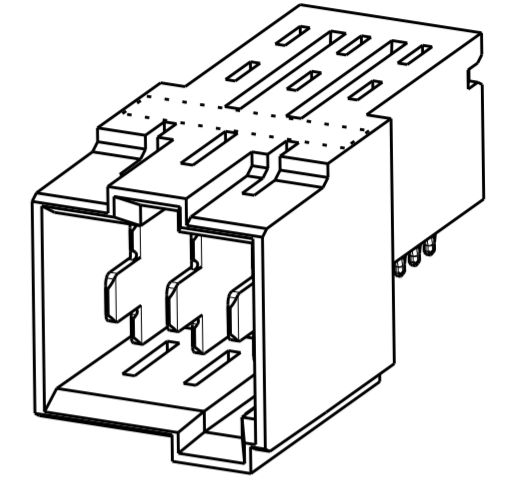
DWN J.VOS 28-MAY-08		Tyco Electronics 's-Hertogenbosch, Nederland
CHK R.DAAMEN 28-MAY-08		
APVD R.VD.SANDT		NAME
PRODUCT SPEC 108-19367		PLUG ASSEMBLY
APPLICATION SPEC 114-19122		RIGHT ANGLE
WEIGHT -		Z-PACK SLIM UHD POWER
CUSTOMER DRAWING		SIZE CAGE CODE DRAWING NO RESTRICTED TO
		A2 00779 C-1982260
		SCALE 5:1 SHEET 1 OF 2 REV A

THIS DRAWING IS UNPUBLISHED. RELEASED FOR PUBLICATION  
 © COPYRIGHT - BY TYCO ELECTRONICS CORPORATION. ALL RIGHTS RESERVED.

LOC		DIST		REVISIONS			
P	LTR	DATE	DWN	APVD	DESCRIPTION		
-	-	-	-	-	SEE SHEET 1		



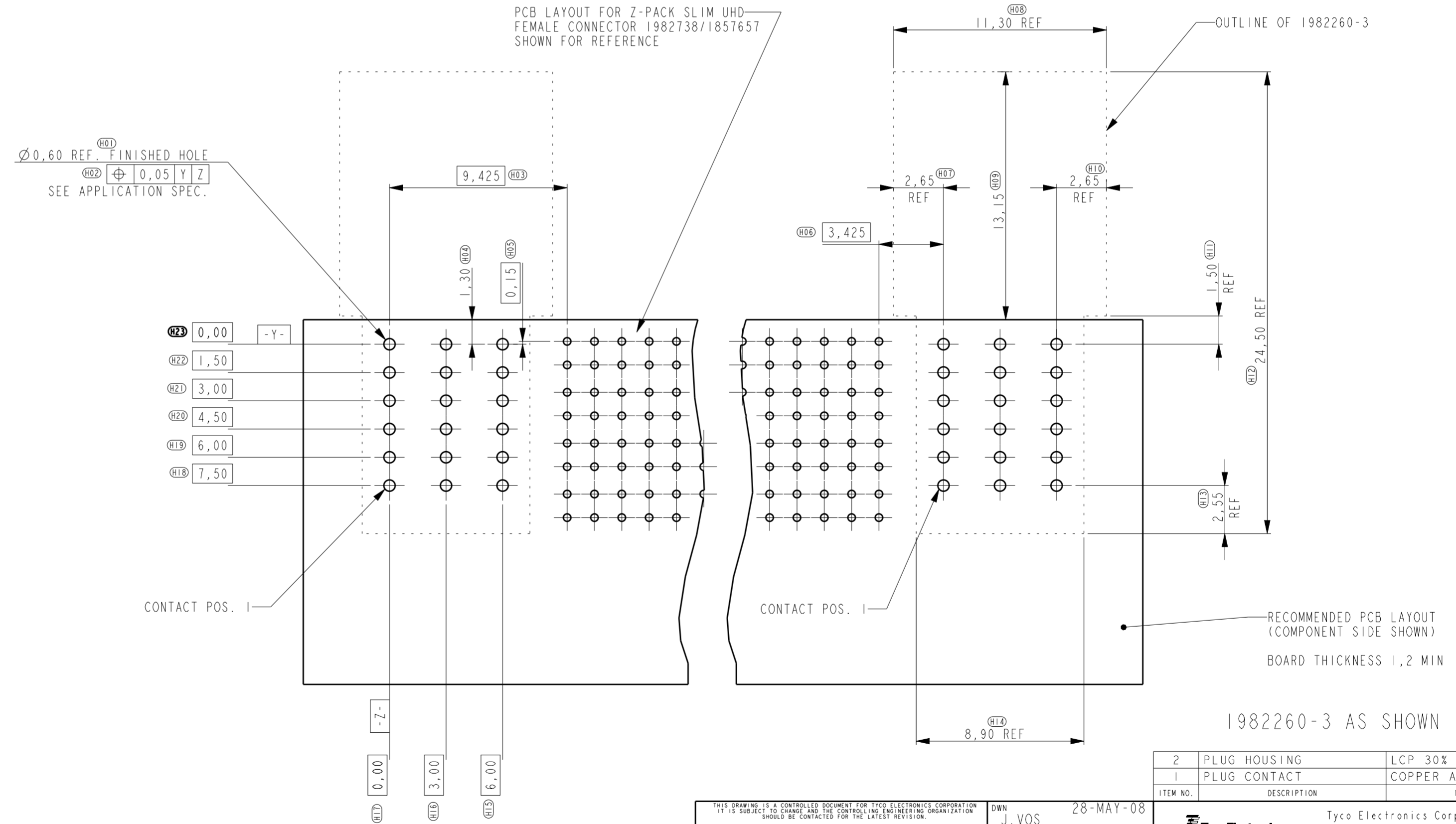
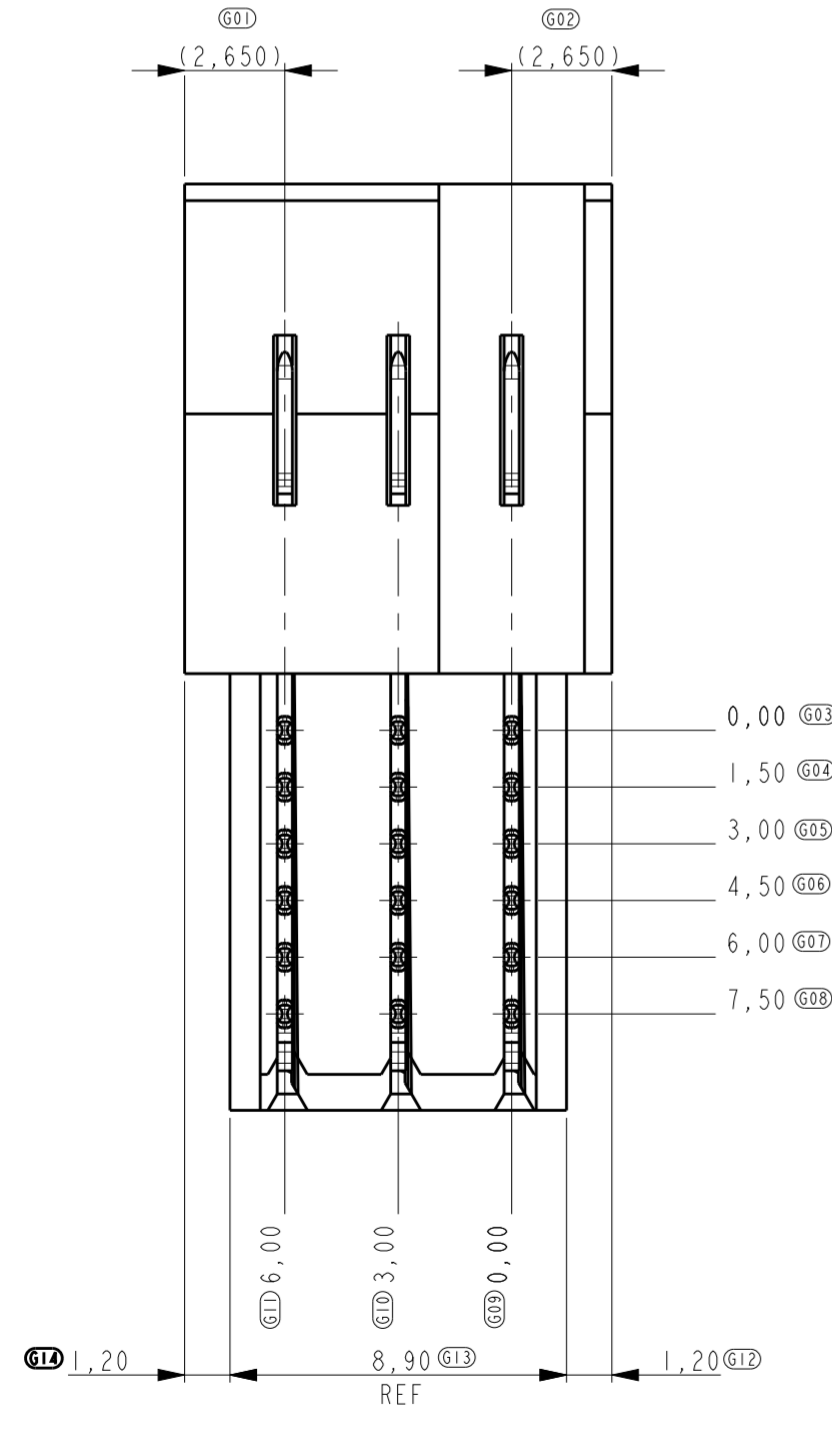
SCALE 3:1



SCALE 3:1

PCB LAYOUT FOR Z-PACK SLIM UHD FEMALE CONNECTOR 1982738/1857657 SHOWN FOR REFERENCE

Ø 0,60 REF. FINISHED HOLE (H01)  
 (H02) ± 0,05 Y Z  
 SEE APPLICATION SPEC.



RECOMMENDED PCB LAYOUT (COMPONENT SIDE SHOWN)  
 BOARD THICKNESS 1,2 MIN

1982260-3 AS SHOWN

NOTES:  
 1 PLATING: 0,5µm MIN. TIN OVER NICKEL.  
 2 PLATING IN CONTACT AREA  
 1,27 µm MIN. Au OVER 1,27µm MIN. Ni

THIS DRAWING IS A CONTROLLED DOCUMENT FOR TYCO ELECTRONICS CORPORATION. IT IS SUBJECT TO CHANGE AND THE CONTROLLING ENGINEERING ORGANIZATION SHOULD BE CONTACTED FOR THE LATEST REVISION.		DWN J.VOS 28-MAY-08	Tyco Electronics Corporation 's-Hertogenbosch, Nederland	
DIMENSIONS: mm		CHK R.DAAMEN 28-MAY-08	NAME R.VD.SANDT	
TOLERANCES UNLESS OTHERWISE SPECIFIED:		APVD -	PRODUCT SPEC 108-19367	
0 PLC ±		APPLICATION SPEC 114-19122		SIZE A2
1 PLC ±0,1		WEIGHT -		CAGE CODE 00779
2 PLC ±0,05		CUSTOMER DRAWING		DRAWING NO C-1982260
3 PLC ±0,025		SCALE 1:1		RESTRICTED TO -
4 PLC ±		SHEET 2 OF 2		REV A
ANGLES ±2°				
FINISH				

## X-ON Electronics

Largest Supplier of Electrical and Electronic Components

*Click to view similar products for [Hard Metric Connectors](#) category:*

*Click to view products by [TE Connectivity](#) manufacturer:*

Other Similar products are found below :

[6345127-1](#) [646916-9](#) [6469658-1](#) [973108](#) [1-2000713-0](#) [1-2000713-2](#) [1-2000713-3](#) [1645343-1](#) [1645456-1](#) [1645594-1](#) [1645595-1](#) [1645601-1](#)  
[1934822-1](#) [278071110010833](#) [1645179-1](#) [1645245-1](#) [1645457-1](#) [1645525-1](#) [1645570-1](#) [1645596-1](#) [17041102202](#) [1857470-1](#) [1934275-1](#)  
[1934289-1](#) [1934759-1](#) [2000673-1](#) [2170292-2](#) [2-536642-6](#) [3-106015-1](#) [352188-1](#) [352629-1](#) [5120823-1](#) [5120899-1](#) [3-100145-0](#) [3-100147-0](#)  
[3-100669-1](#) [3-106081-0](#) [HM2DK2368PLF](#) [5646530-1](#) [3-352049-0](#) [3-352069-0](#) [3-352115-0](#) [3-352638-0](#) [352189-1](#) [3-646357-0](#) [3-646487-0](#)  
[3-646513-0](#) [106726-1](#) [114352](#) [114619](#)