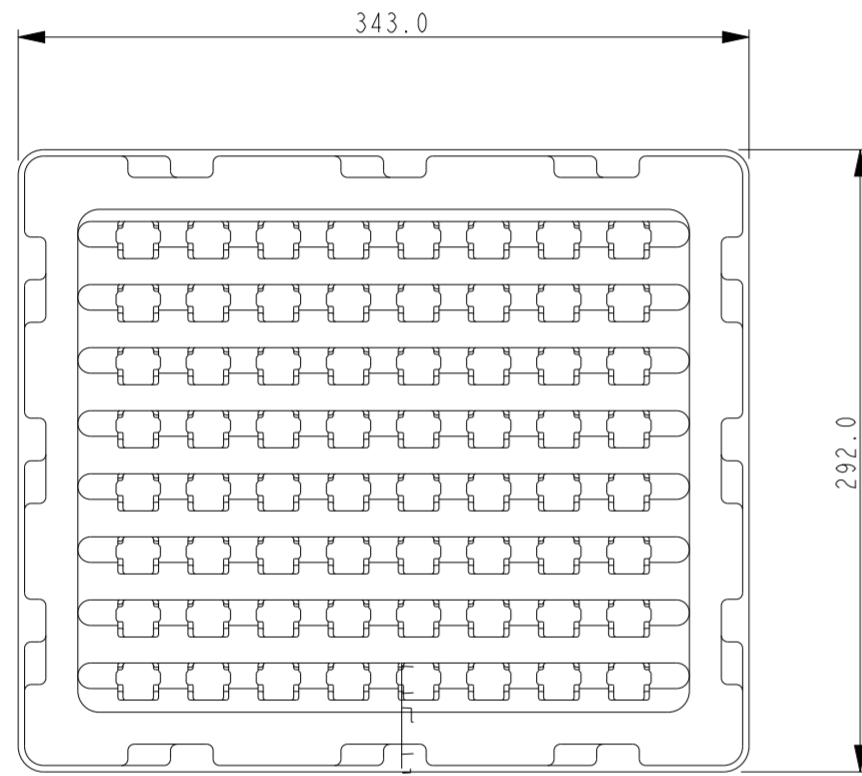


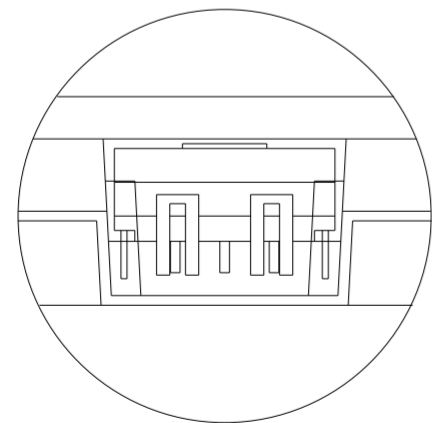
THIS DRAWING IS UNPUBLISHED. RELEASED FOR PUBLICATION
 © COPYRIGHT - TE CONNECTIVITY ALL RIGHTS RESERVED.

LOC		DIST		REVISIONS			
P	LTR	DESCRIPTION	DATE	DWN	APVD		
-	-	SEE SHEET 1	-	-	-		

NOTES:
 1. TRAY (PN 3178822-1) PACKAGING IS ONLY FOR PN 1982295-5.

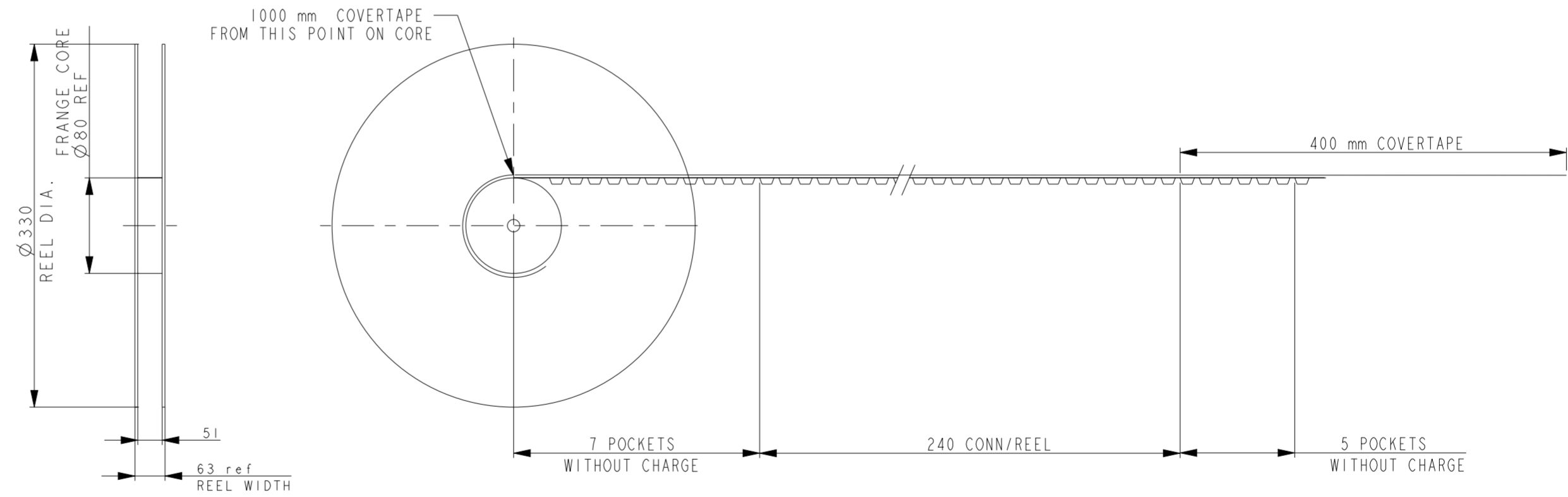
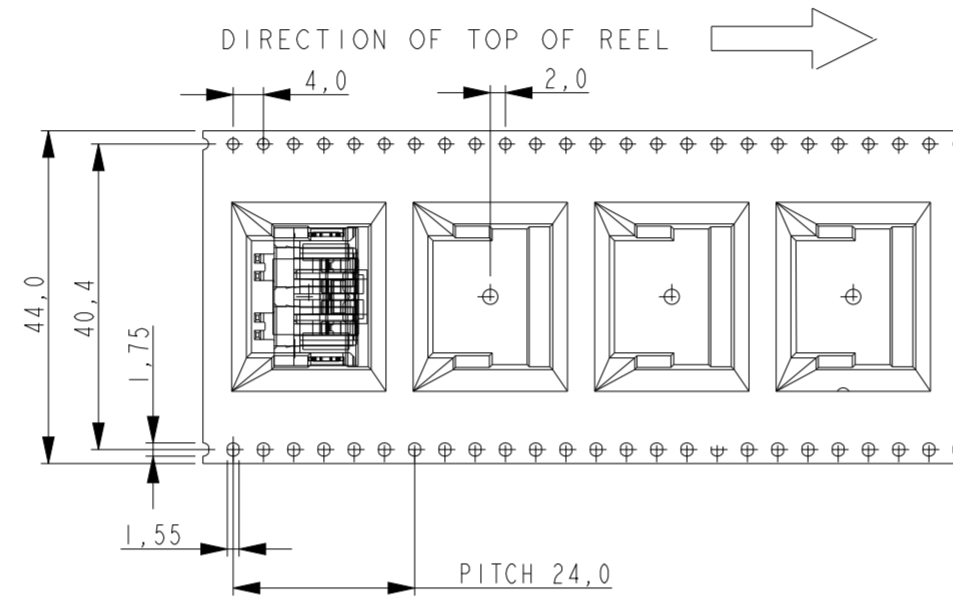


SEE DETAIL B




DETAIL B

DO NOT SCALE



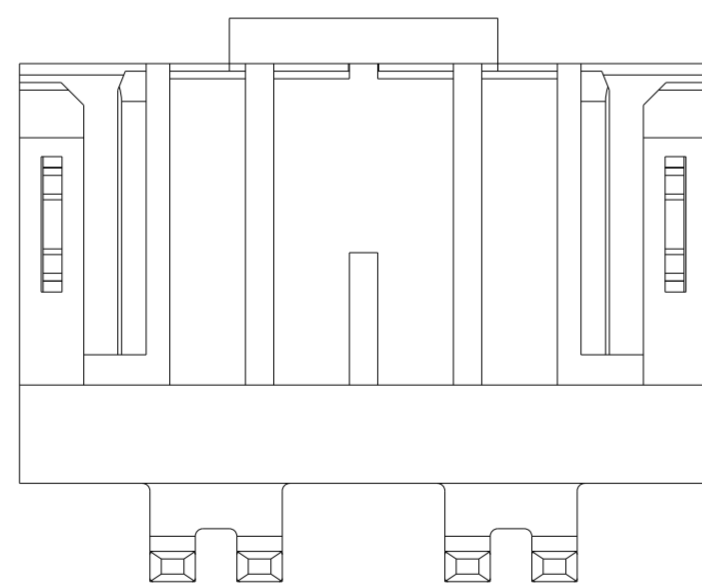
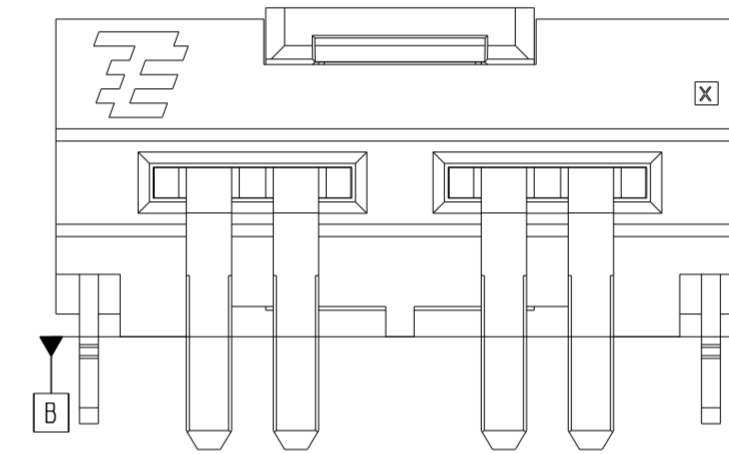
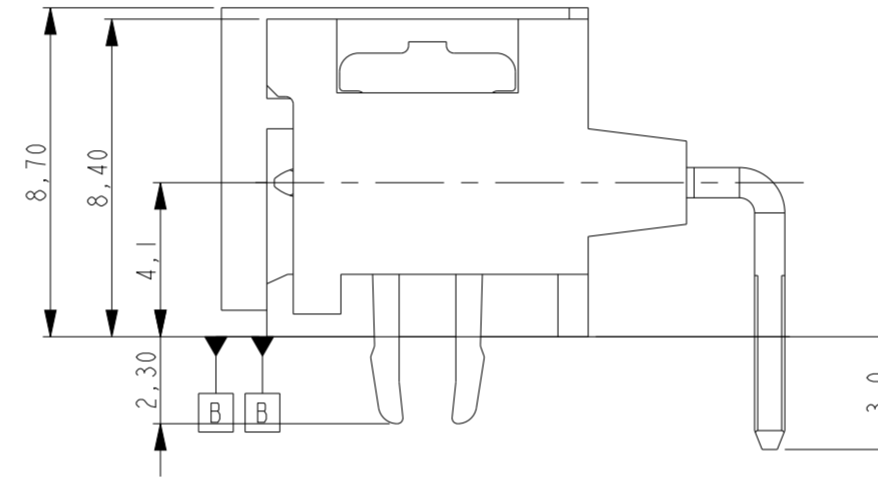
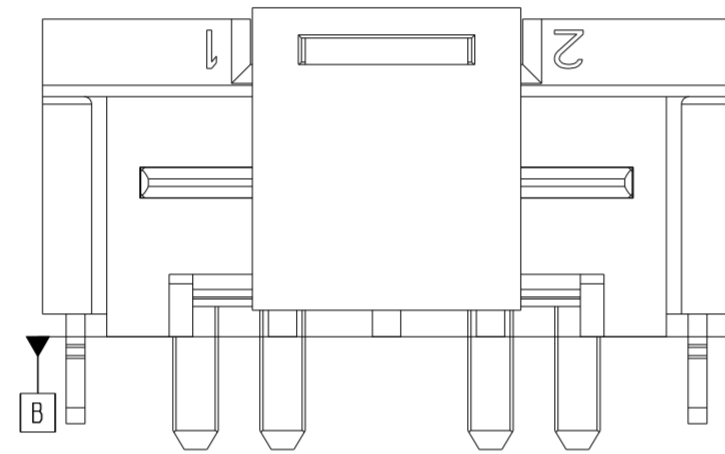
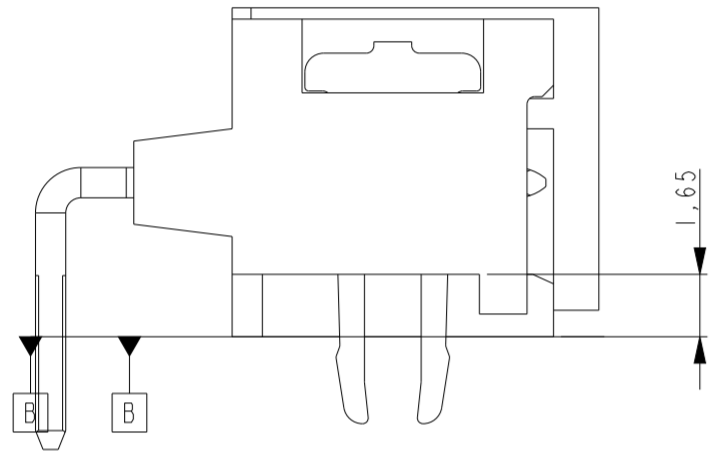
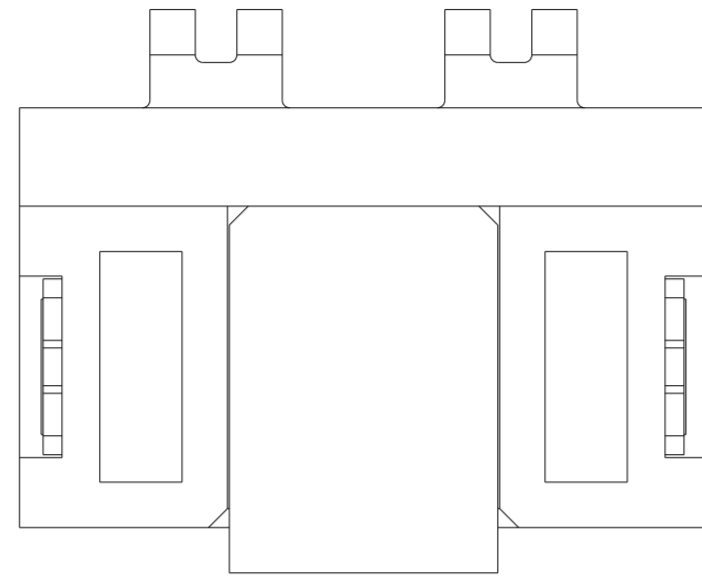
NOTES:

- 1 MATERIAL: TRANSPARENT POLYSTYRENE ALLOY.
- 2 10 SPROCKET HOLES PITCH CUMULATIVE TOLERANCE +/-0,20.
- 3 CARRIER CAMBER IS WITHIN 1 mm IN 250 mm.
- 4 ALL DIMENSIONS MEET EIA-481-C REQUIREMENTS.
- 5 THICKNESS: 0,50±0,05mm.
- 6 REEL PACKAGING ONLY FOR OTHER PART NUMBERS.

THIS DRAWING IS A CONTROLLED DOCUMENT.		DWN R. Annokkee 04-Sep-21	 TE Connectivity	
DIMENSIONS: mm		CHK R. Annokkee 04-Sep-21		
TOLERANCES UNLESS OTHERWISE SPECIFIED:		APVD J. Broeksteeg 04-Sep-21	NAME ELCON Mini, 2-position header right-angle	
0 PLC ±0,5 1 PLC ±0,1 2 PLC ±0,05 3 PLC ± 4 PLC ± ANGLES ±2 FINISH		PRODUCT SPEC 108-19346	SIZE A2	CAGE CODE 00779
MATERIAL		APPLICATION SPEC 114-19110	DRAWING NO C-1982295	RESTRICTED TO
-		WEIGHT -	SCALE 1:1	SHEET 2 OF 3
-		Customer Drawing		REV C6

THIS DRAWING IS UNPUBLISHED. RELEASED FOR PUBLICATION
 © COPYRIGHT - TE CONNECTIVITY ALL RIGHTS RESERVED.

LOC	DIST	REVISIONS			
P	LTR	DESCRIPTION	DATE	DWN	APVD
IR	-	SEE SHEET 1	-	-	-



1982295-7 IS SHOWN
 OTHER DIMENSIONS REFER TO SHEET 1

ITEM	DESCRIPTION	MATERIAL	FINISH
5	PICK&PLACE ADAPTOR	POLYAMIDE, NATURAL	
4	HOLD DOWN	DINI544 CK75	5,0 µm Sn MIN OVER 2,5 µm Ni MIN ALL OVER.
3	CONTACT DETECTION	COPPER ALLOY	0,8 µm Au MIN. IN CONTACT PLACE, Au FLASH IN SOLDER AREA OVER 1,27µm Ni MIN ALL OVER
2	CONTACT POWER TAB	COPPER ALLOY	1,2µm Ni MIN. ALL OVER 0,8µm Au MIN AT MATING ZONE Au FLASH AT SOLDER ZONE
2	CONTACT POWER TAB	COPPER ALLOY	3,0 µm Ag MIN ALL OVER.
1	HOUSING	LCP GF UL94V-0, BLACK	

THIS DRAWING IS A CONTROLLED DOCUMENT.

DWN	R. Annokkee	04-Sep-21
CHK	R. Annokkee	04-Sep-21
APVD	J. Broeksteeg	04-Sep-21

STE TE Connectivity

NAME: ELCON Mini, 2-position header right-angle

SIZE	CAGE CODE	DRAWING NO	RESTRICTED TO
A2	00779	C-1982295	-

Customer Drawing SCALE 5:1 SHEET 3 OF 3 REV C6

X-ON Electronics

Largest Supplier of Electrical and Electronic Components

Click to view similar products for [Power to the Board](#) category:

Click to view products by [TE Connectivity](#) manufacturer:

Other Similar products are found below :

[6450171-4](#) [6450552-7](#) [6600323-8](#) [6643429-1](#) [6646040-2](#) [6651939-1](#) [6766604-1](#) [120959-1](#) [1393557-2](#) [1393532-2](#) [1393532-3](#) [1393532-4](#)
[1393557-1](#) [1600812-5](#) [1-6450861-2](#) [1744132-7](#) [1761122-1](#) [1766250-1](#) [1892109-1](#) [2-6450860-5](#) [2-6450870-0](#) [1-6450161-4](#) [1-6450850-6](#) [1-](#)
[6450869-6](#) [1645526-2](#) [1-6600130-0](#) [2005243-2](#) [377-0020-11130](#) [TE34-12-16P-F0](#) [51700-10201602AALF](#) [5-6450830-6](#) [5646956-4](#) [377-](#)
[0080-11131A](#) [4-6450830-9](#) [4-6600333-3](#) [10125416-4050LF](#) [10130248-005LF](#) [6600320-3](#) [3-6450860-5](#) [1888123-2](#) [6450166-1](#) [6643978-1](#)
[6766605-1](#) [701-15-02109](#) [N11444](#) [6651938-1](#) [6450810-7](#) [46437-1112](#) [1-1589677-8](#) [5646956-5](#)