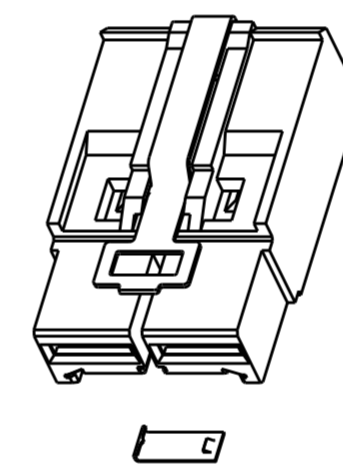
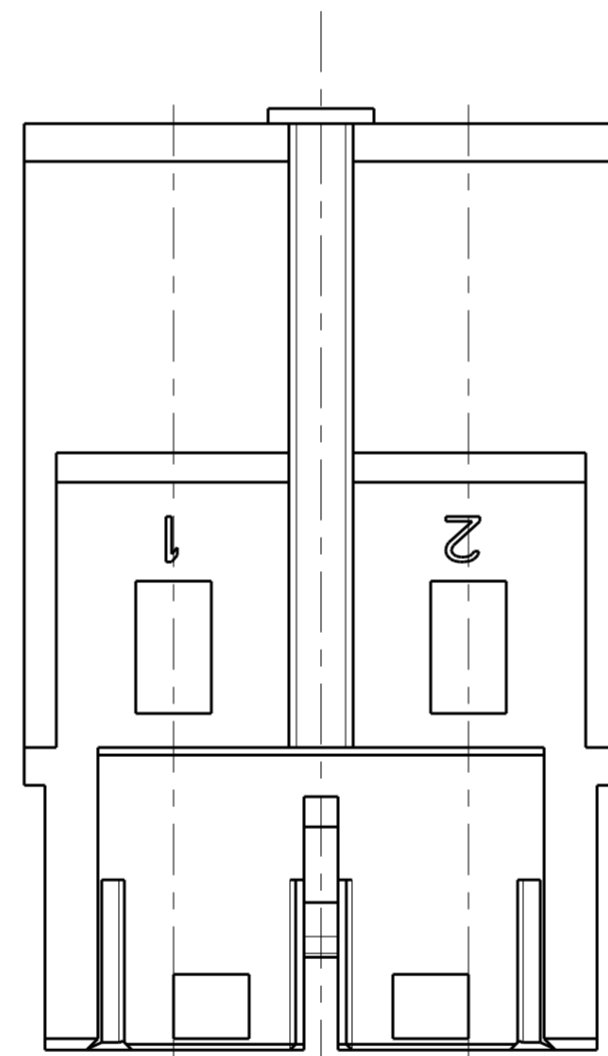
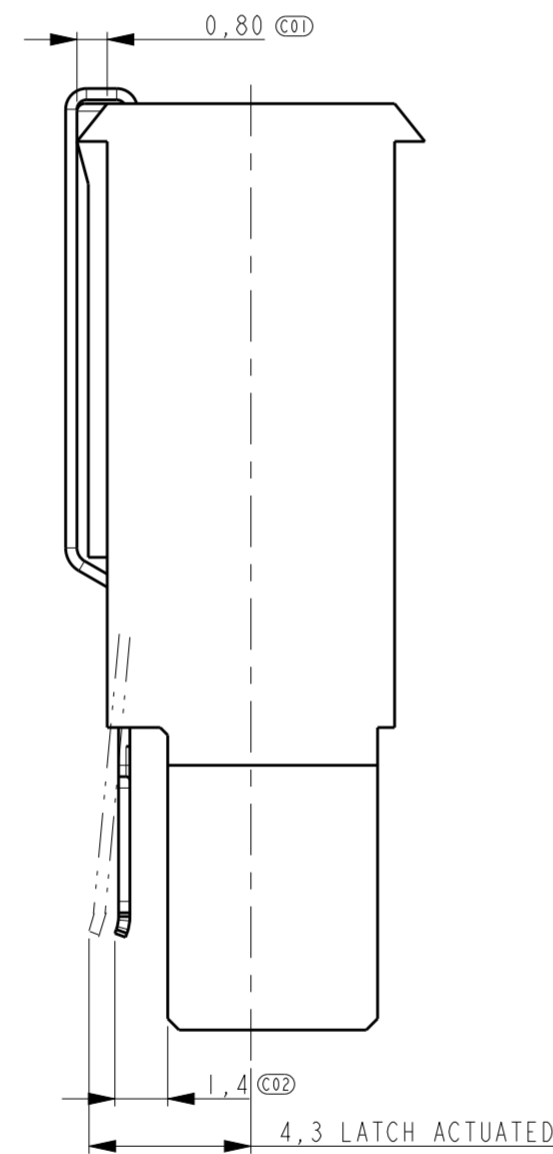
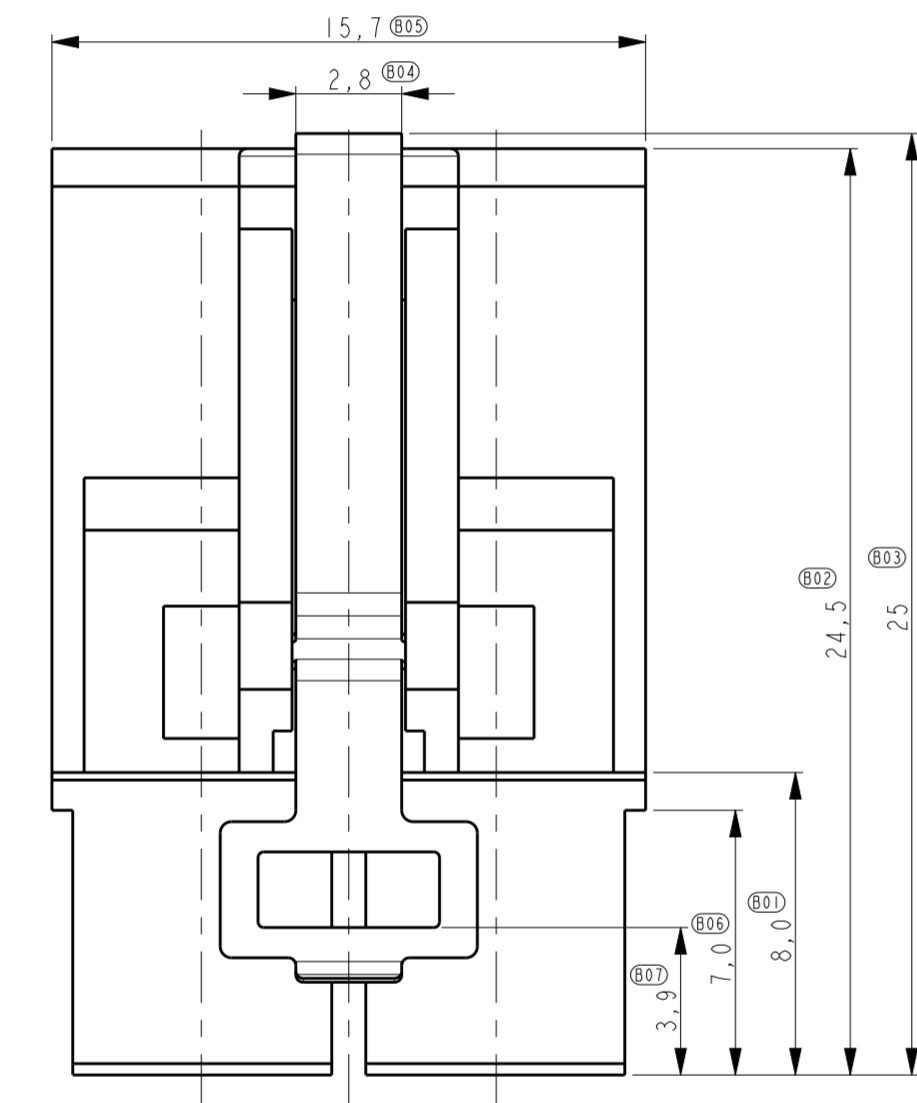
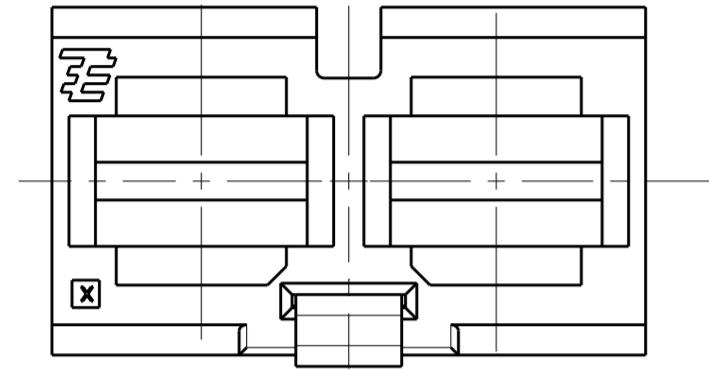


THIS DRAWING IS UNPUBLISHED. RELEASED FOR PUBLICATION
 © COPYRIGHT - TE CONNECTIVITY ALL RIGHTS RESERVED.

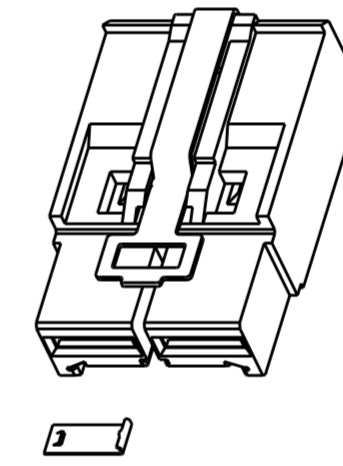
LOC	DIST	REVISIONS					
H	-	P	LTR	DESCRIPTION	DATE	DWN	APVD
		B2		ADD -8	08JAN2019	OL	SZ
		B3		REV PER ECO-19-010762	12JUL2019	OL	SZ
		B3		REV PER ECO-19-010762	25JUL2019	OL	SZ

NOTES:

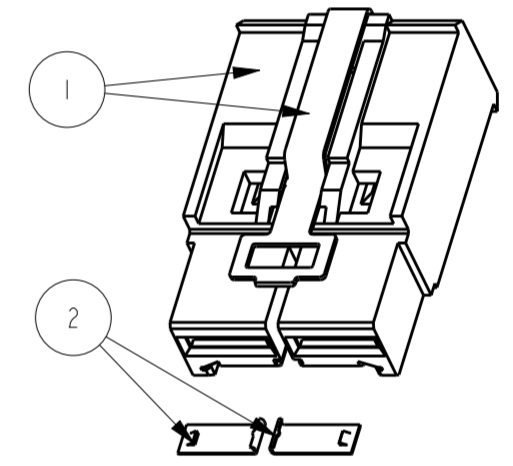
- 1 USE FOR (SILVER PLATED) STANDARD POWER TIMER CONTACTS .
FOR CONTACTS PARTNUMBERS SEE DWG. C-1355048 VERSION A
ALLOWED MAX WIRE SIZE 4 mm².
- 2 LOOSE PIECE PART NUMBER ITEM 2:1982298-2.



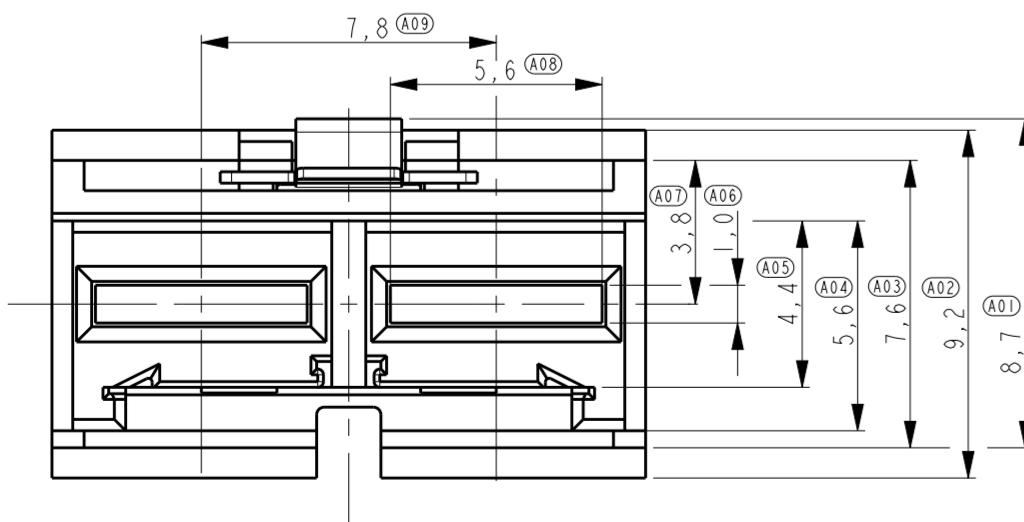
198299-1 WITH RIGHT CODING CONTACT



198299-2 WITH LEFT CODING CONTACT



198299-3 WITH TWO CODING CONTACTS



1982299-4	1982299-3	1982299-2	1982299-1	DESCRIPTION	MATERIAL	FINISH	ITEM
-	2	1	1	CODING CONTACT	COPPER ALLOY	0.8 um Au IN CONTACT PLACE OVER 1.2 um Ni UNDERLAYER OVERALL	2
1	1	1	1	HOUSING LATCH	PA GF UL94V-0 STAINLESS STEEL	NA	1

THIS DRAWING IS A CONTROLLED DOCUMENT.

DWN: R. Annokkee 13-feb-07
 CHK: R. Annokkee 13-feb-07
 APVD: J. Broeksteeg

TE Connectivity

ELCON Mini, 2-position cable connector metal latch, 4mm² max. wire

PRODUCT SPEC: 108-19346
 APPLICATION SPEC: 114-19110

SIZE: A2 CAGE CODE: 00779 DRAWING NO: 1982299

MATERIAL: - FINISH: - WEIGHT: -

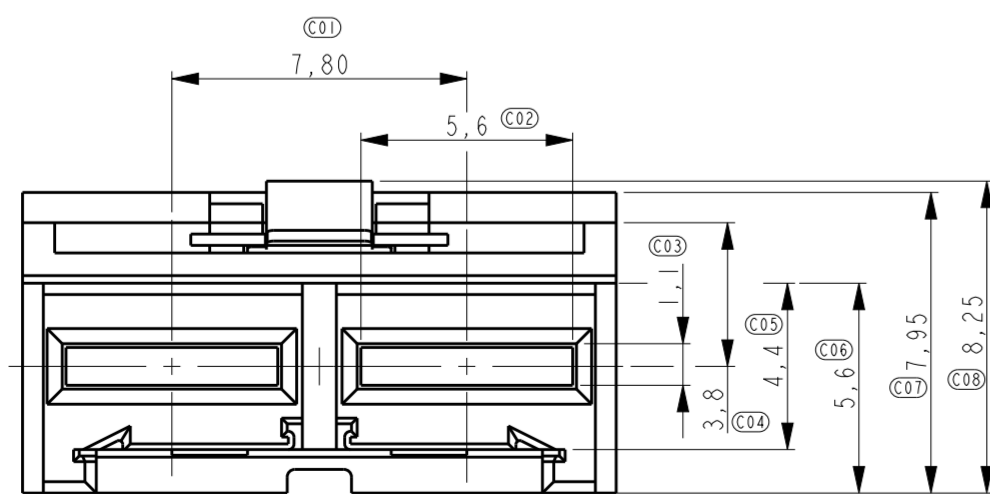
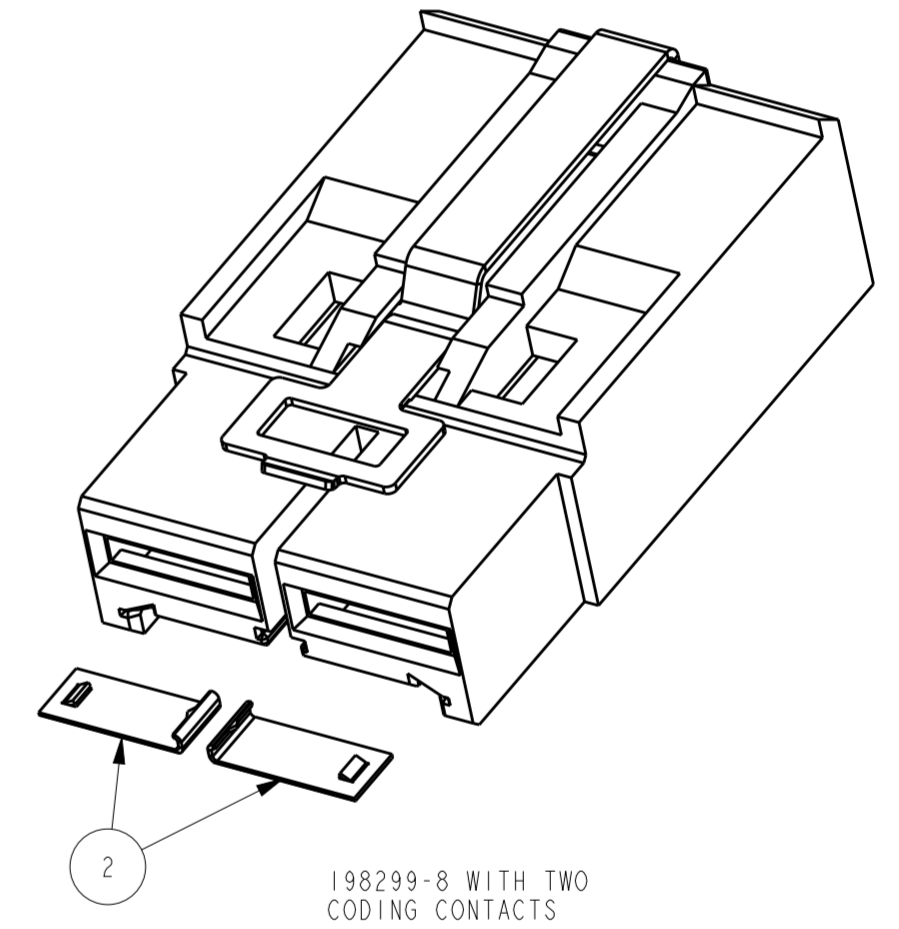
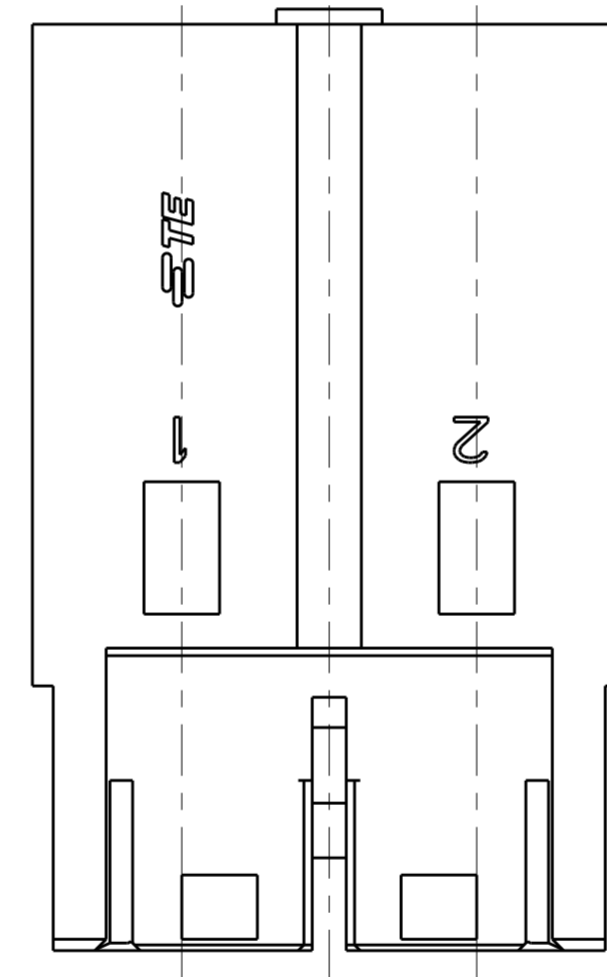
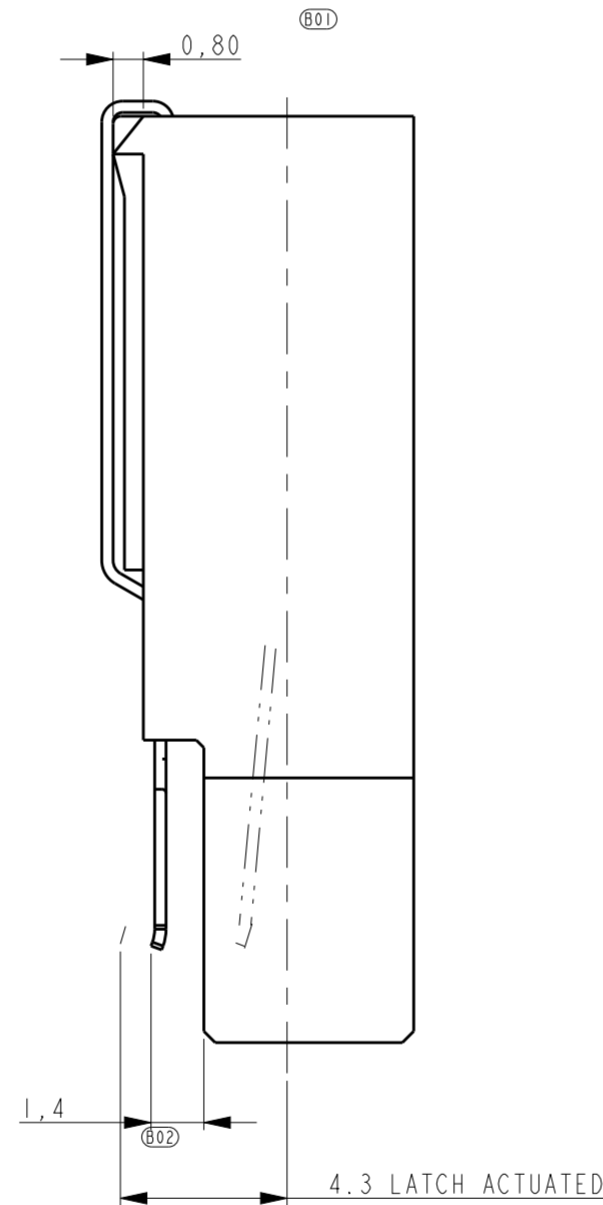
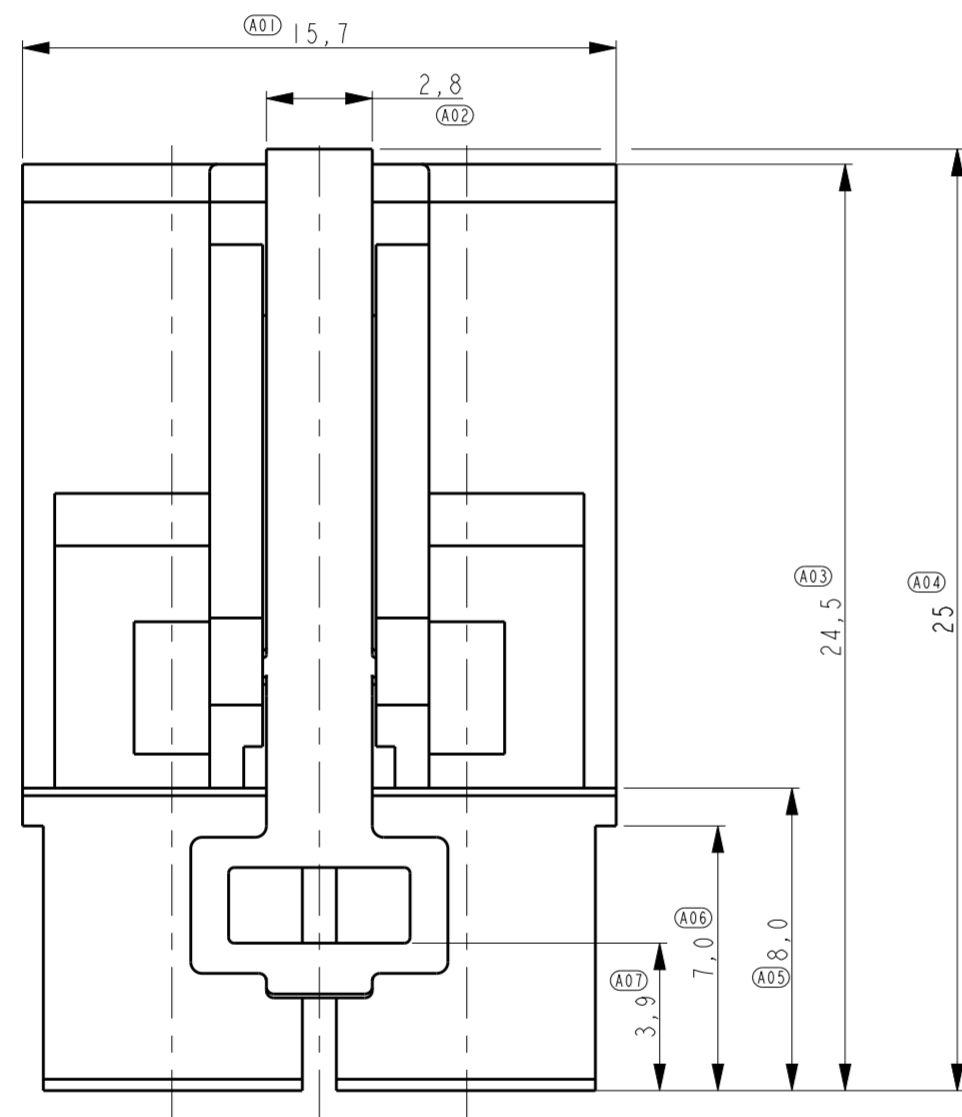
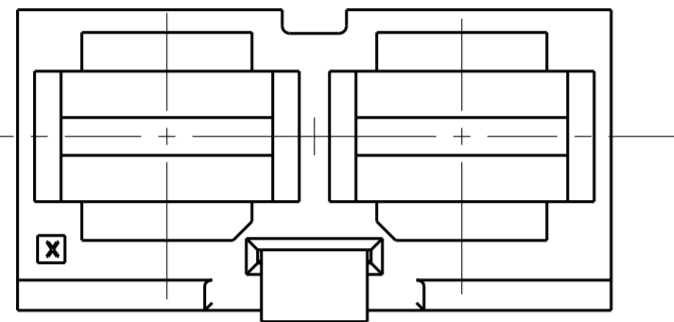
CUSTOMER DRAWING SCALE: 5:1 SHEET: 1 OF 2 REV: B.3

THIS DRAWING IS UNPUBLISHED. RELEASED FOR PUBLICATION
 © COPYRIGHT - TE CONNECTIVITY ALL RIGHTS RESERVED.

LOC	DIST	REVISIONS					
H	-	P	LTR	DESCRIPTION	DATE	DWN	APVD
		-		SEE SHEET 1			

NOTES:

- 1 USE FOR (SILVER PLATED) STANDARD POWER TIMER CONTACTS .
 FOR CONTACTS PARTNUMBERS SEE DWG. C-1355048 VERSION A
 ALLOWED MAX WIRE SIZE 4 mm².



QTY	QTY	DESCRIPTION	MATERIAL	FINISH	ITEM
2	-	CODING CONTACT	COPPER ALLOY	0.8 um Au IN CONTACT PLACE OVER 1.2 um Ni UNDERPLAYER OVERALL	2
1	1	HOUSING LATCH	PA GF UL94V-0 STAINLESS STEEL	NA	1

THIS DRAWING IS A CONTROLLED DOCUMENT.

DWN: R. Annokkee 13-feb-07
 CHK: R. Annokkee 13-feb-07
 APVD: J. Broeksteeg

NAME: **STE** TE Connectivity

PRODUCT SPEC: 108-19346
 APPLICATION SPEC: 114-19110

SCALE: 5:1 SHEET 2 OF 2 REV B.3

RESTRICTED TO: -

CUSTOMER DRAWING

X-ON Electronics

Largest Supplier of Electrical and Electronic Components

Click to view similar products for [Power to the Board](#) category:

Click to view products by [TE Connectivity](#) manufacturer:

Other Similar products are found below :

[6450171-4](#) [6450552-7](#) [6600323-8](#) [6643429-1](#) [6646040-2](#) [6651939-1](#) [6766604-1](#) [120959-1](#) [1393557-2](#) [1393532-2](#) [1393532-3](#) [1393532-4](#)
[1393557-1](#) [1600812-5](#) [1-6450861-2](#) [1744132-7](#) [1761122-1](#) [1766250-1](#) [1892109-1](#) [2-6450860-5](#) [2-6450870-0](#) [1-6450161-4](#) [1-6450850-6](#) [1-6450869-6](#) [1645526-2](#) [1-6600130-0](#) [2005243-2](#) [377-0020-11130](#) [TE34-12-16P-F0](#) [5-6450830-6](#) [5646956-4](#) [377-0080-11131A](#) [4-6450830-9](#)
[4-6600333-3](#) [10125416-4050LF](#) [6600320-3](#) [3-6450860-5](#) [1888123-2](#) [6450166-1](#) [6643978-1](#) [6766605-1](#) [701-15-02109](#) [N11444](#) [6651938-1](#)
[6450810-7](#) [46437-1112](#) [1-1589677-8](#) [5646956-5](#) [6450813-2](#) [6450129-4](#)