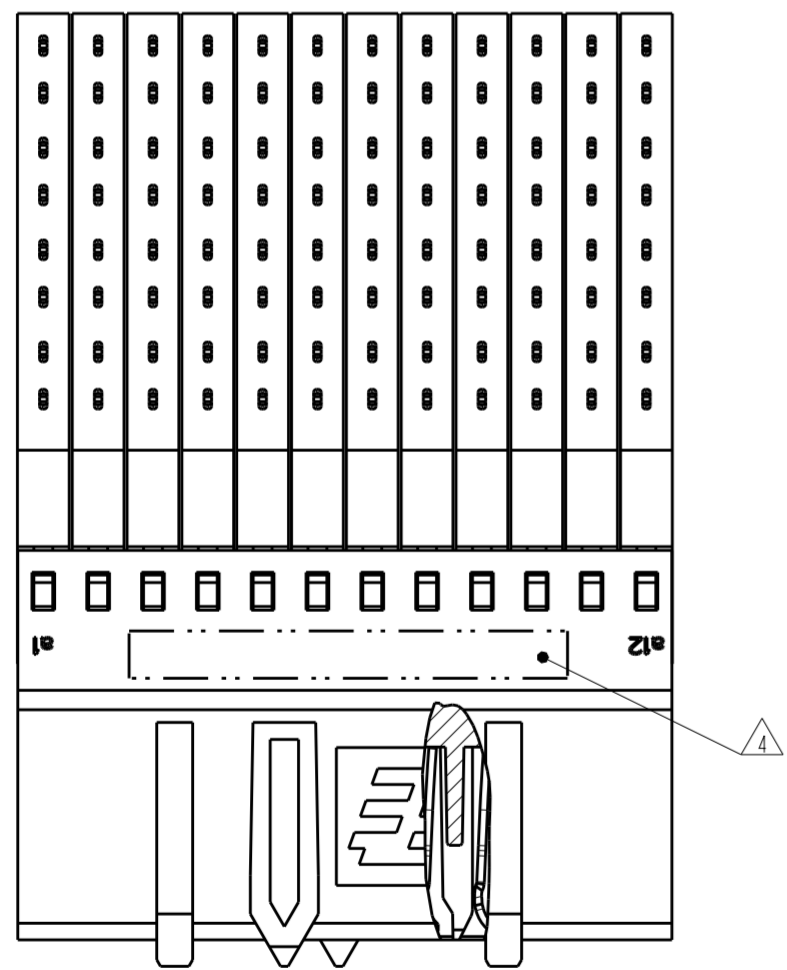
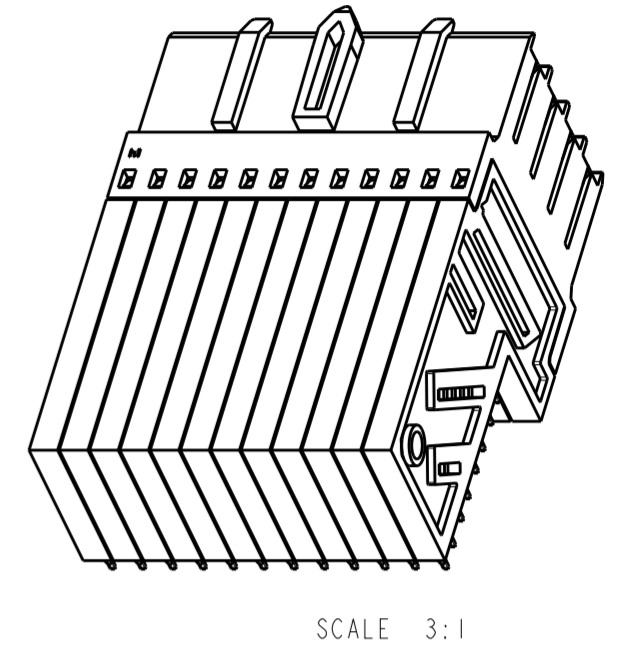
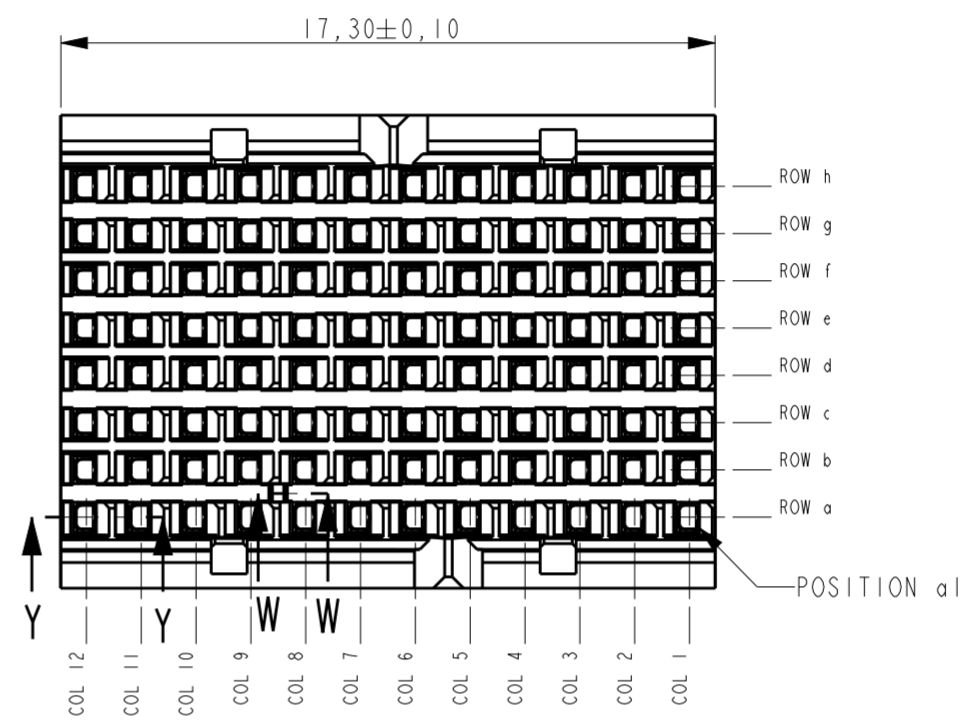
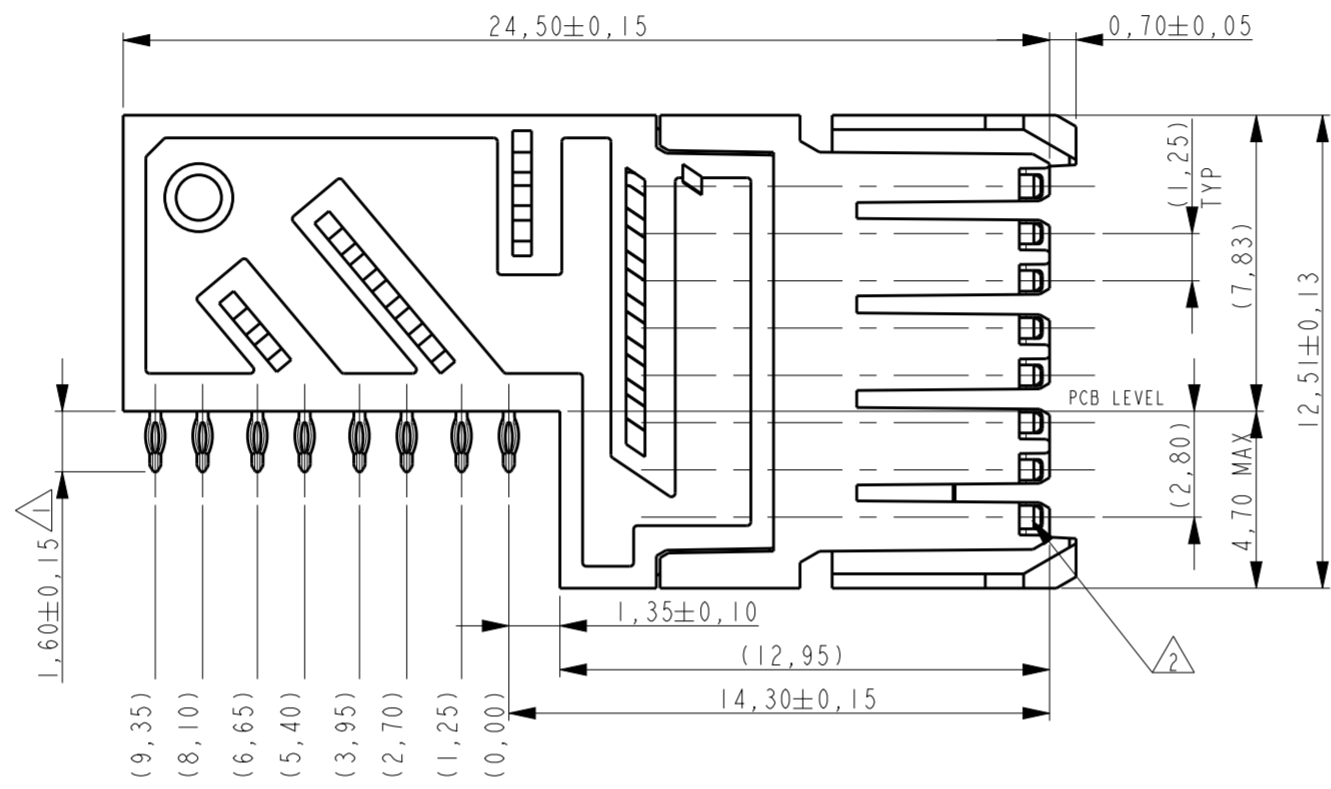
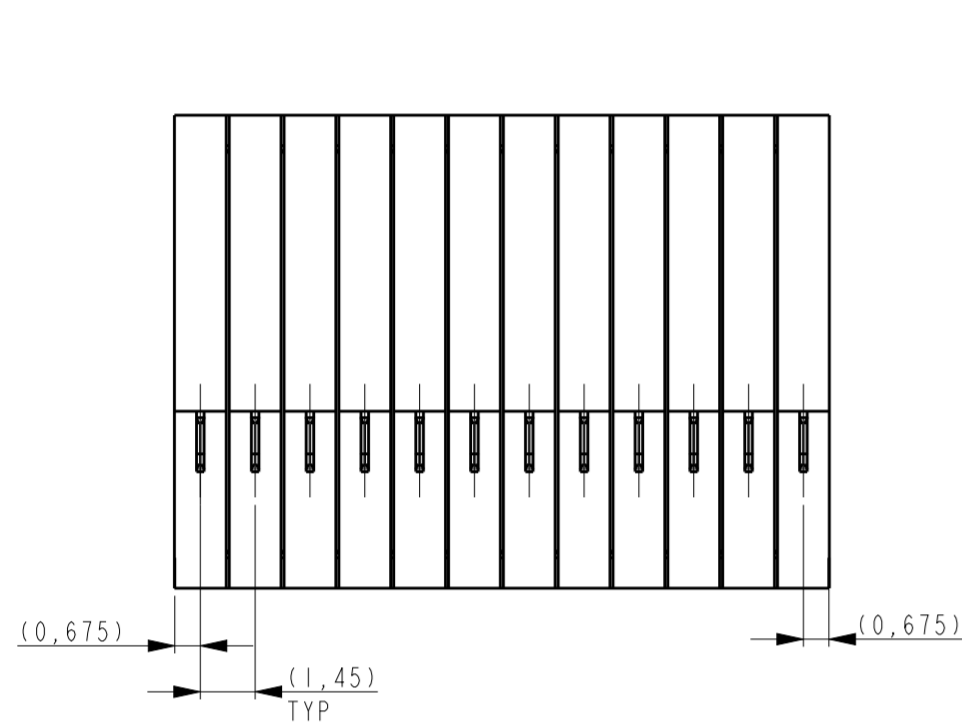
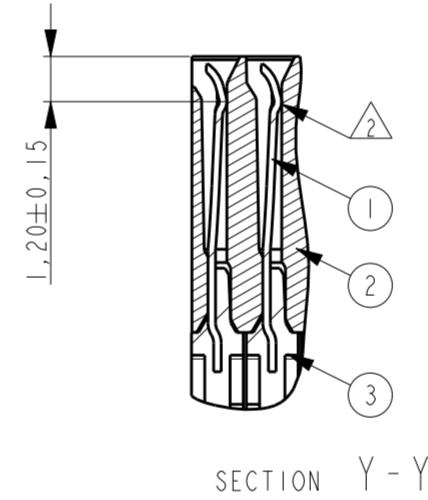


THIS DRAWING IS UNPUBLISHED. RELEASED FOR PUBLICATION  
 © COPYRIGHT - BY TYCO ELECTRONICS CORPORATION. ALL RIGHTS RESERVED.

LOC		DIST		REVISIONS			
P	LTR	DESCRIPTION	DATE	DWN	APVD		
	A	DRAWING RELEASED PER ECR-11-017294	22AUG2011	JvdH	TdB		
	AI	CHANGED PER ECR-12-010777	13JUN2012	BM	TdB		
	B	ADDED TOLERANCES PER ECR-13-006546	17APR2013	JvdH	GJV		
	C	REVISED PER ECR-13-017996	16DEC2013	FL	FY		



SECTION W-W  
(KEY POSITION)



SECTION Y-Y

NOTES:

- ① PLATING: 0,5µm MIN. TIN OVER NICKEL.
- ② PLATING:

PARTNUMBER	PERFORMANCE LEVEL
1982738-1	PERFORMANCE LEVEL 1: CONNECTOR TESTED AND QUALIFIED AGAINST TELCORDIA GR-1217-CORE QUALITY LEVEL III: UNCONTROLLED ENVIRONMENT APPLICATIONS. SEE PRODUCT SPEC 108-19353
1982738-2	PERFORMANCE LEVEL 2: CONFORMS TO ALL TESTING ACCORDING PRODUCT SPEC 108-19320, -250 MATING CYCLES, 4 DAYS MIXED GAS TEST PER IEC 60068-2-60 METHOD 1

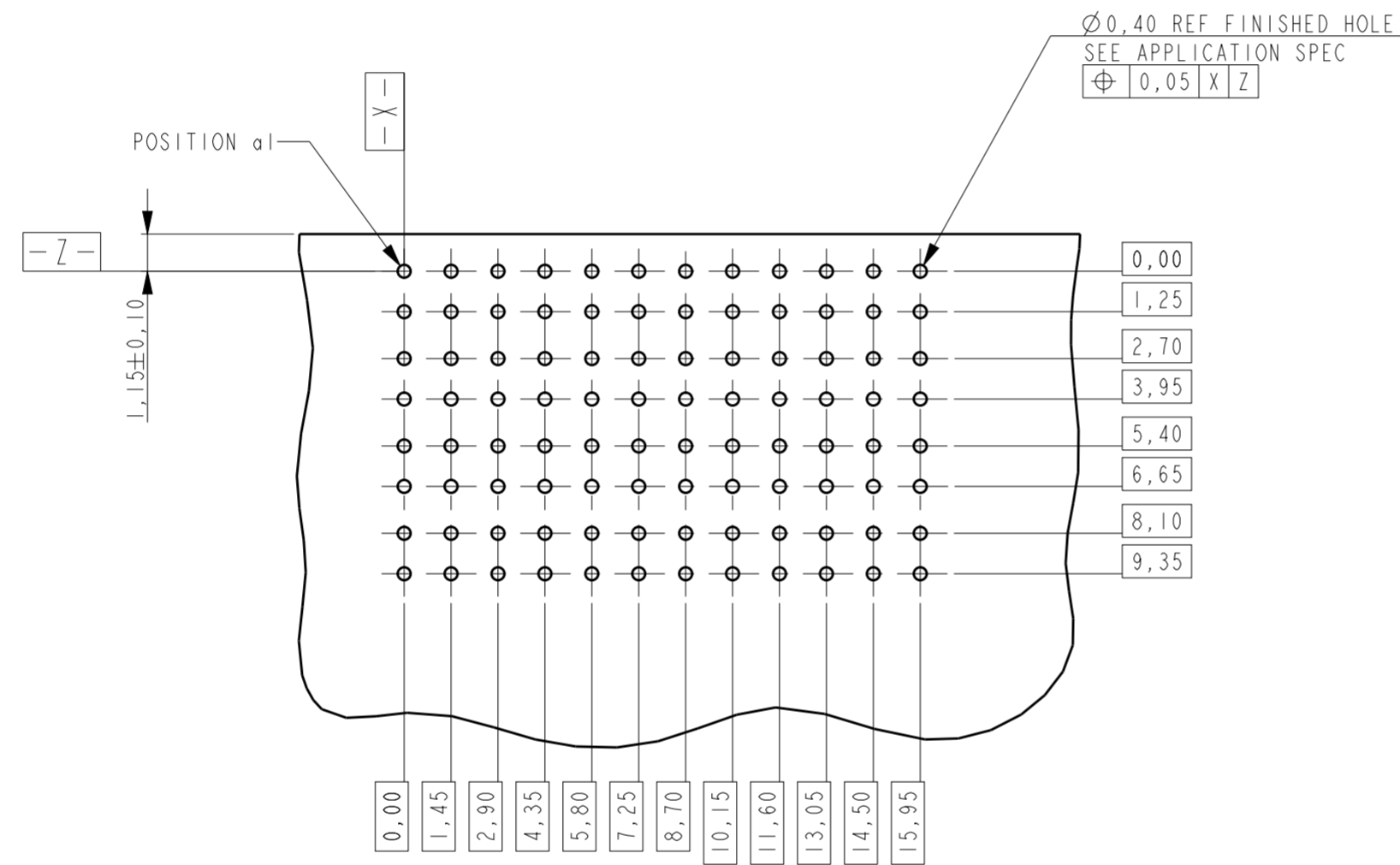
- ③ CONSULT APPLICATION SPEC OR CONTACT TE CONNECTIVITY FOR PERMISSIBLE CONTACT ASSIGNMENTS.
- ④ CONNECTOR MARKED WITH PARTNUMBER AND DATE CODE.

3	OVERMOLD	PBT 20% GF GREY
2	HOUSING	LCP 30% GF NATURAL
1	CONTACT	COPPER ALLOY
ITEM NO.	DESCRIPTION	MATERIAL

THIS DRAWING IS A CONTROLLED DOCUMENT.		DWN RA 31-Jan-2008	TE Connectivity			
DIMENSIONS: mm		CHK RA 31-Jan-2008				
TOLERANCES UNLESS OTHERWISE SPECIFIED:		APVD J BROEKSTEEG 31-Jan-2008				
0 PLC ± 1 PLC ± 2 PLC ± 3 PLC ± 4 PLC ± ANGLES ± FINISH ±		PRODUCT SPEC SEE NOTE ② APPLICATION SPEC 114-19106 WEIGHT - Customer Drawing				
NAME FEMALE CONNECTOR Z-PACK Slim UHD Common Speed			SIZE A2	CAGE CODE 00779	DRAWING NO. C-1982738	RESTRICTED TO -
SCALE 5:1			SHEET 1	OF 2	REV C	

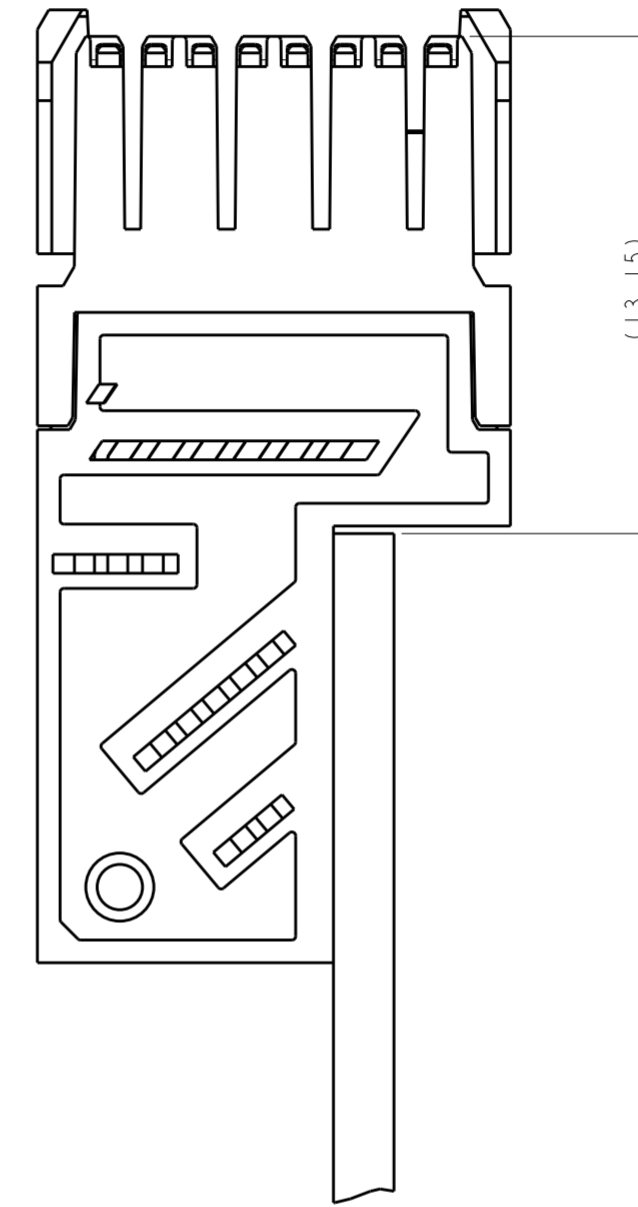
THIS DRAWING IS UNPUBLISHED. RELEASED FOR PUBLICATION  
 © COPYRIGHT - BY TYCO ELECTRONICS CORPORATION. ALL RIGHTS RESERVED.

LOC	DIST	REVISIONS					
H	-	P	LTR	DESCRIPTION	DATE	DWN	APVD
		-		SEE SHEET 1	-	-	-



BOARD THICKNESS 1,2 MIN

RECOMMENDED PCB LAYOUT  
(COMPONENT SIDE SHOWN)



THIS DRAWING IS A CONTROLLED DOCUMENT.		DWN RA 31-Jan-2008	<b>STE</b> TE Connectivity	
		CHK RA 31-Jan-2008		
		APVD J.BROEKSTEEG 31-Jan-2008	NAME FEMALE CONNECTOR	
DIMENSIONS: mm		PRODUCT SPEC SEE SHEET 1	Z-PACK Slim UHD Common Speed	
TOLERANCES UNLESS OTHERWISE SPECIFIED:		APPLICATION SPEC SEE SHEET 1	SIZE A2	CAGE CODE 00779
0 PLC ±		WEIGHT -	DRAWING NO C-1982738	RESTRICTED TO -
1 PLC ±		Customer Drawing		
2 PLC ±		SCALE 5:1	SHEET 2	OF 2
3 PLC ±		REV C		
4 PLC ±				
ANGLES ±				
FINISH				

## X-ON Electronics

Largest Supplier of Electrical and Electronic Components

*Click to view similar products for [High Speed/Modular Connectors](#) category:*

*Click to view products by [TE Connectivity](#) manufacturer:*

Other Similar products are found below :

[650827-1](#) [74040-1346](#) [1410191-1](#) [1410368-3](#) [1410964-2](#) [1410326-3](#) [1410367-3](#) [1410971-4](#) [1467833-1](#) [2000877-1](#) [2000878-1](#) [2041314-1](#)  
[2065387-1](#) [2187307-1](#) [163P](#) [1934290-1](#) [2000875-1](#) [2065917-1](#) [2102736-2](#) [FSR-40](#) [2169868-2](#) [22354-8](#) [437-5040-000](#) [5-1393565-0](#) [039-](#)  
[0246-000](#) [0761601016](#) [0784461022](#) [10123159-12ELF](#) [030-2415-003/100 PK](#) [030-7380-004](#) [030-2494-001](#) [532939-1](#) [5532901-3](#) [3-1469268-](#)  
[7](#) [74748-102LF](#) [10041743-101LF](#) [10066670-100002LF](#) [1-533915-1](#) [249-4515-000](#) [7-1469373-3](#) [DL2-2J/S](#) [2000713-8](#) [2000713-7](#)  
[10124313-101LF](#) [3011-21](#) [757105208](#) [EBTF-4-10-2.0-S-RA-1](#) [430305-001](#) [4395800100](#) [8140115](#)