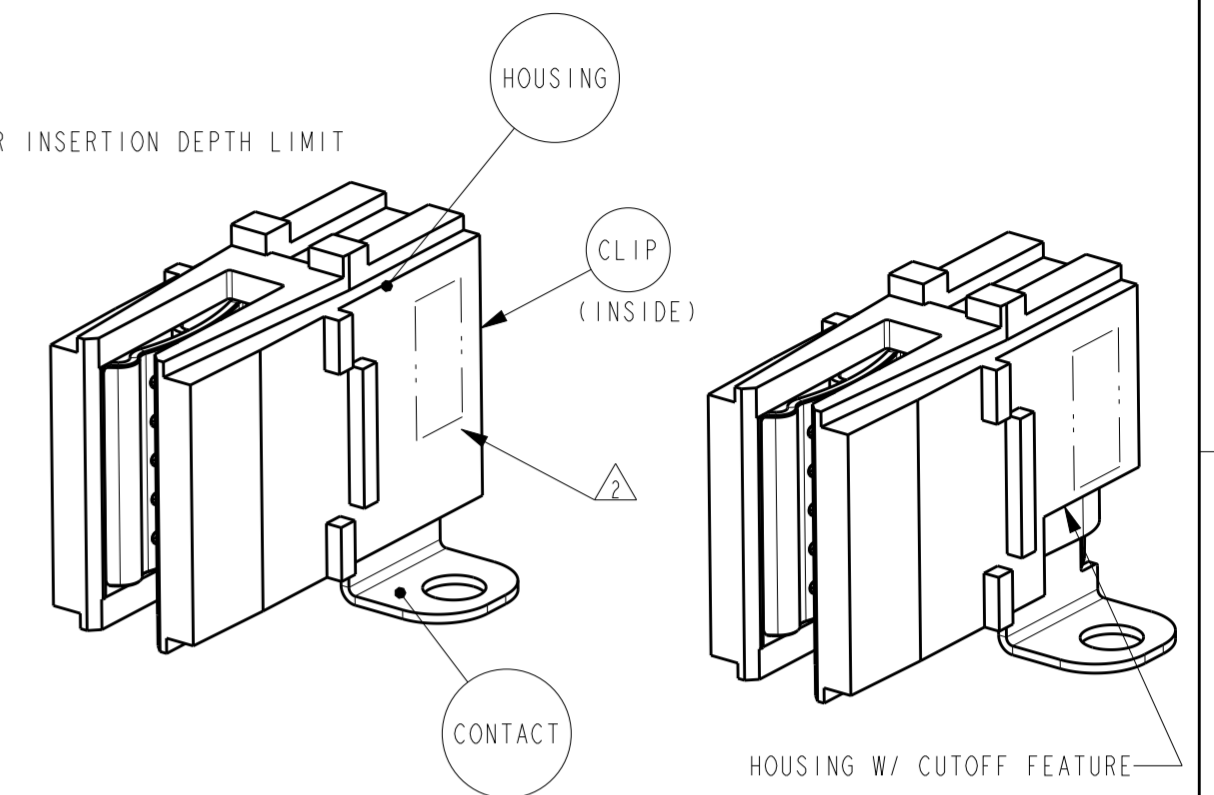
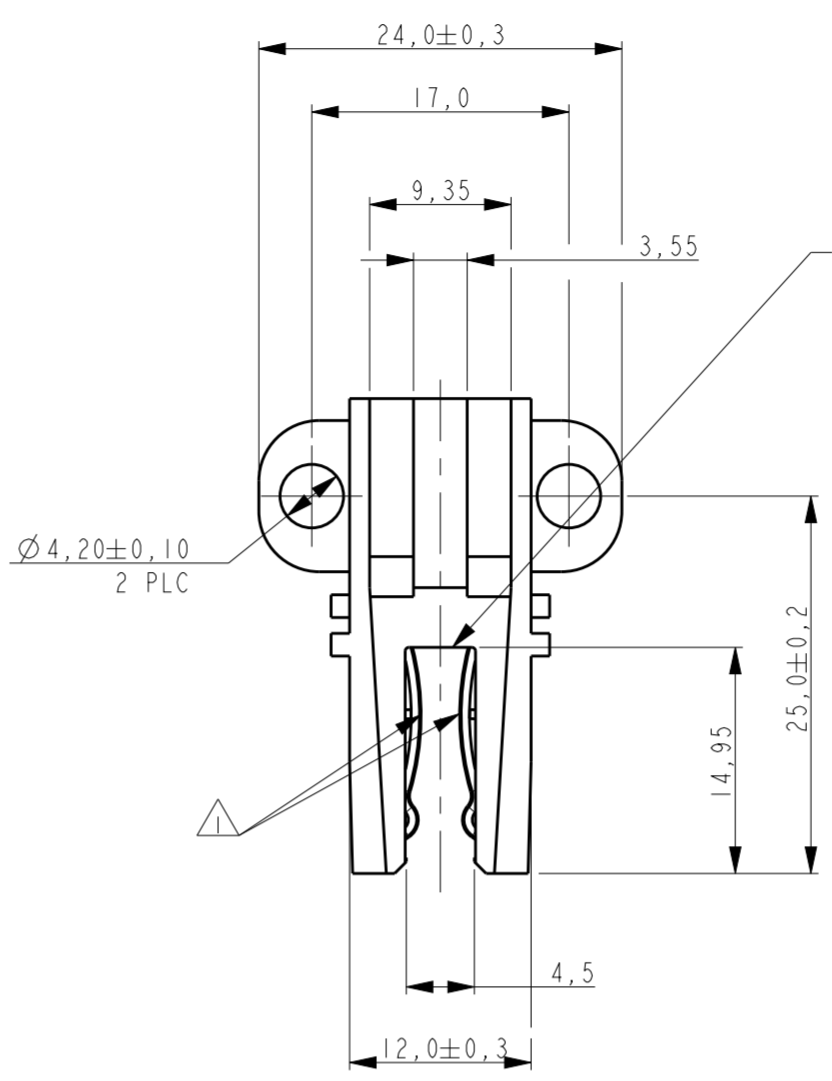
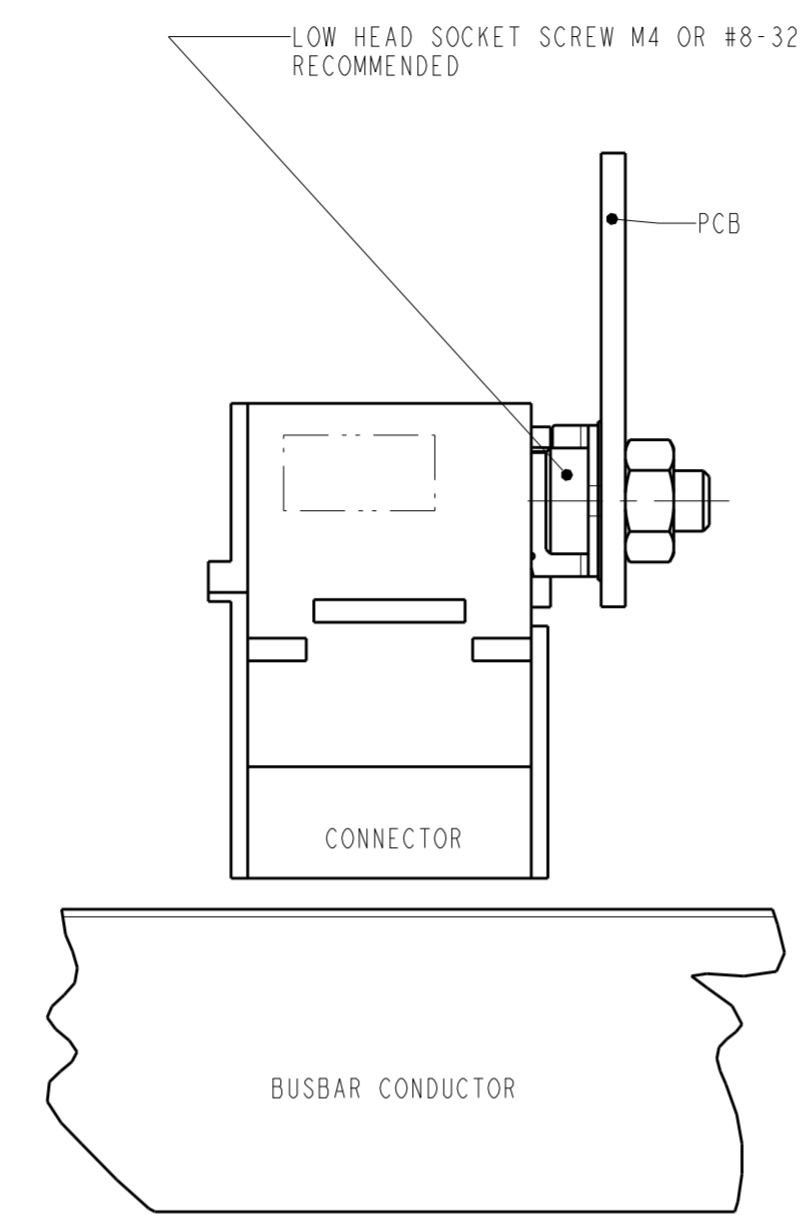
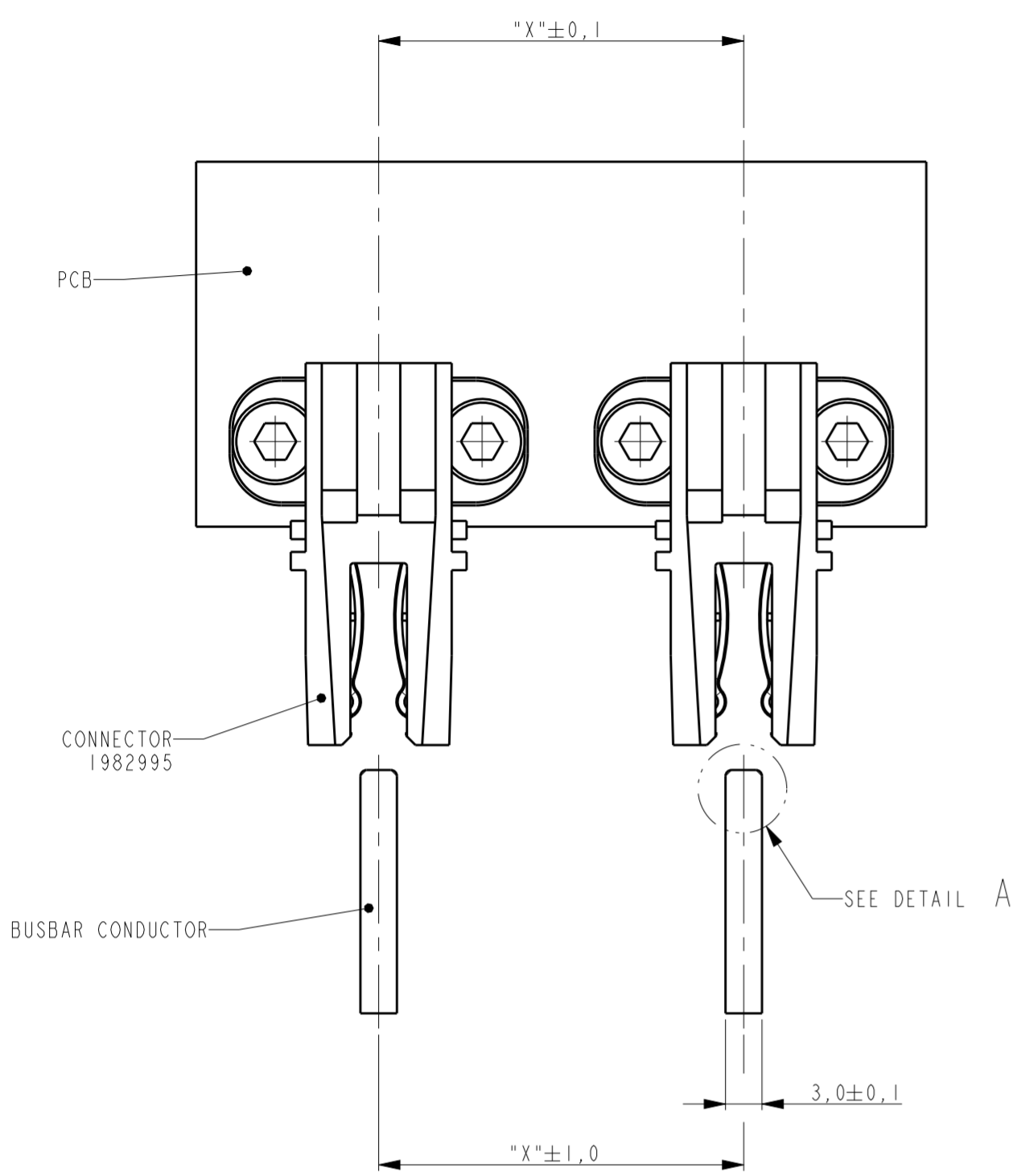


THIS DRAWING IS UNPUBLISHED. RELEASED FOR PUBLICATION
 © COPYRIGHT - BY - TE CONNECTIVITY ALL RIGHTS RESERVED.

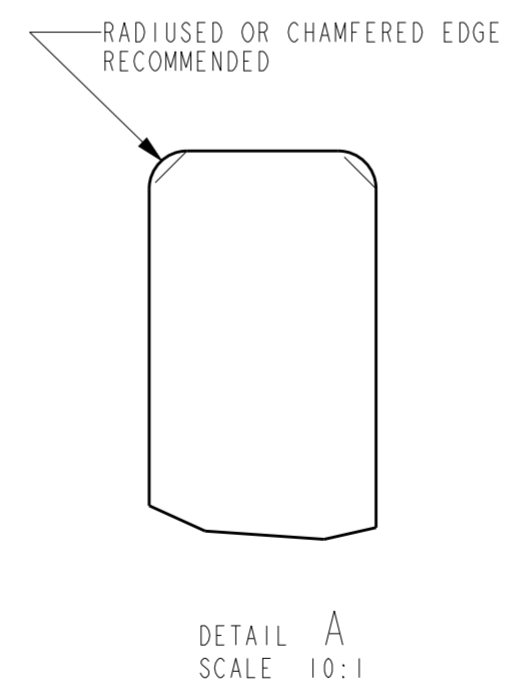
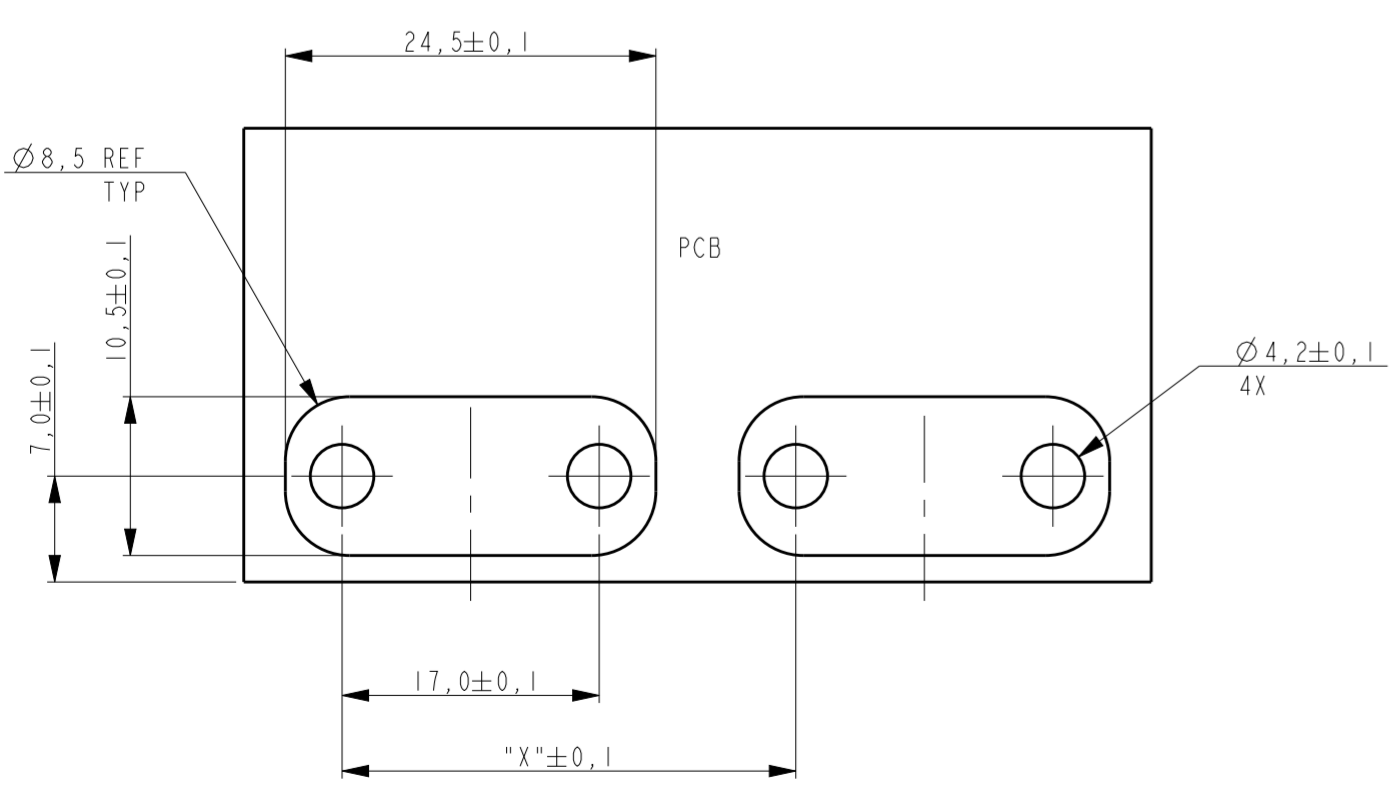
REVISIONS					
P	LTR	DESCRIPTION	DATE	DWN	APVD
A8		REV PER ECR-15-007945	16MAY2015	ML	SZ
A9		ADDED DASH NUMBER -4	07FEB2018	ML	SZ



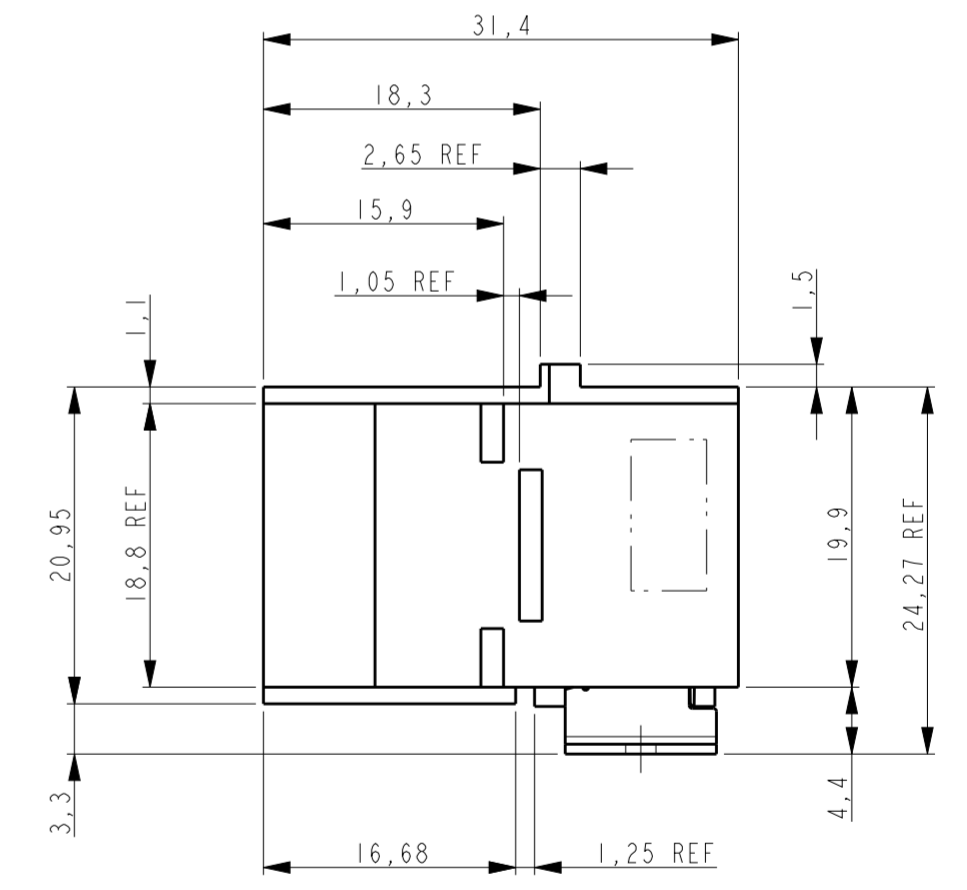
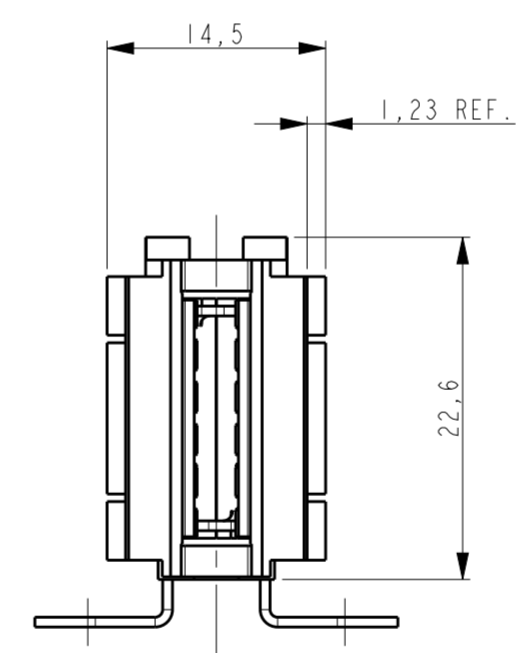
THE REFERENCE CONSTRUCTION
P/N: 1982995-1/-2

THE REFERENCE CONSTRUCTION
P/N: 1982995-3/-4

PCB, BUSBAR-CONDUCTORS,
SCREWS AND NUTS IN THESE VIEWS
ARE SHOWN FOR REFERENCE ONLY.



- NOTES:
- 1 PLATING: 1,2µm MIN. NICKEL UNDERLAYER ALLOVER.
3,0µm MIN. TIN IN INDICATED AREA.
 - 2 PRINT AREA FOR PART NUMBER AND DATE CODE.
 - 3 PLATING: 1,2µm MIN. NICKEL UNDERLAYER ALLOVER.
3,0µm MIN. SILVER IN INDICATED AREA.
 - 4 MATERIAL:
POWER CONTACT: COPPER ALLOY
CLIP: STAINLESS STEEL
HOUSING: PBT, BLACK, UL94V-0 FLAMMABILITY RATED.



PLATING	DESCRIPTION	PART NUMBER
1	CROWN CLIP JUNIOR W/ CUTOFF FEATURE, SILVER PLATING	1982995-4
2	CROWN CLIP JUNIOR W/ CUTOFF FEATURE, TIN PLATING	1982995-3
3	CROWN CLIP JUNIOR, SILVER PLATING	1982995-2
4	CROWN CLIP JUNIOR, TIN PLATING	1982995-1

THIS DRAWING IS A CONTROLLED DOCUMENT.

DIMENSIONS:	TOLERANCES UNLESS OTHERWISE SPECIFIED:	DWN	J. VOS	13-Feb-08
mm	0 PLC ±	CHK	R. DAAMEN	13-Feb-08
	1 PLC ±0,3	APVD	R. VD SANDT	
	2 PLC ±0,15	PRODUCT SPEC		
	3 PLC ±0,005	APPLICATION SPEC		
	4 PLC ±			
	ANGLES ±2°			
	FINISH	WEIGHT		

Customer Drawing

SCALE 2:1 SHEET 1 OF 1 REV A9

STE TE Connectivity

NAME: PLUGGABLE BUSBAR CONNECTOR
SCREW MOUNT VERSION
CROWN CLIP JUNIOR

SIZE: A2 CAGE CODE: - DRAWING NO: C-1982995 RESTRICTED TO: -

RECOMMENDED PCB LAY-OUT
THICKNESS: 1,5 mm Min.

X-ON Electronics

Largest Supplier of Electrical and Electronic Components

Click to view similar products for [Heavy Duty Power Connectors](#) category:

Click to view products by [TE Connectivity](#) manufacturer:

Other Similar products are found below :

[6646058-2](#) [6646137-1](#) [6646138-1](#) [6646940-1](#) [6651091-1](#) [6651525-1](#) [6651529-1](#) [696475-1](#) [702-32-01109](#) [73000005059](#) [73080254296](#)
[73080965046](#) [7310205040001](#) [765-15-0080A](#) [765-16-0080B](#) [765-18-0080D](#) [902-77-02113](#) [PS25/A0420/63](#) [AN0024023](#) [E6374G1](#) [1643543-](#)
[1](#) [1766966-1](#) [1791340000](#) [NLDFT-3-BL-L-S120-M40A](#) [NLDFT-N-W-L-C240-M40B](#) [1926015-1](#) [NLS-2-R-C240-M40B](#) [NLS-3-BL-C240-](#)
[M40B](#) [NLS-N-W-C240-M40B](#) [NPS-3-BL-T6](#) [2-1589900-8](#) [KA8102](#) [9300480317](#) [294-0091-01100](#) [296-0040-01100](#) [1648582-1](#) [A32595-](#)
[0049](#) [1766249-1](#) [1766818-1](#) [19000005132](#) [AN0264023](#) [279-0841-10100A](#) [30-9717](#) [419-2083-301](#) [LCDX4/0-14B-X](#) [075-8519-001](#) [078238-](#)
[1613](#) [078238-2910](#) [078239-2912](#) [07.470.3256.0](#)