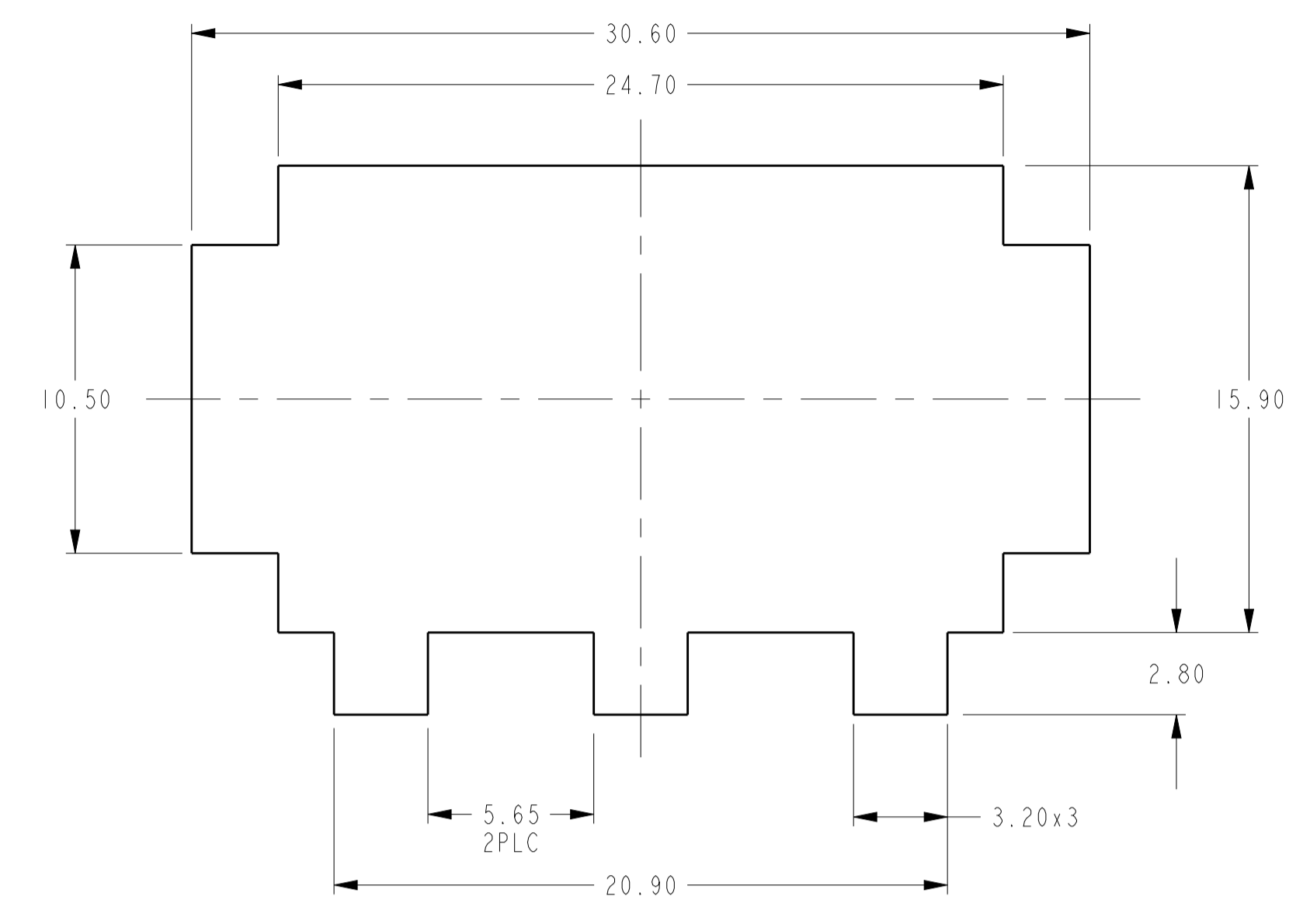
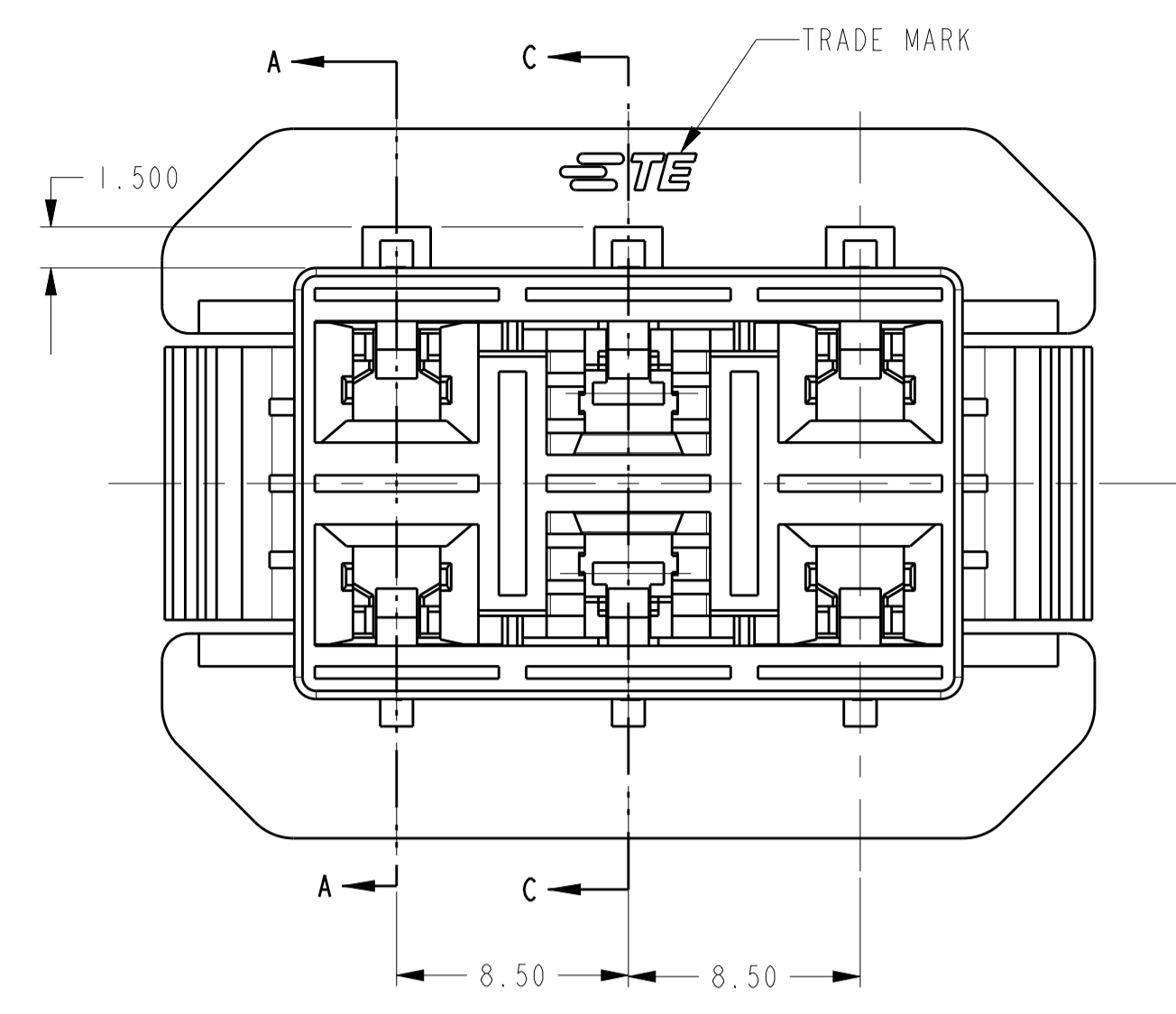
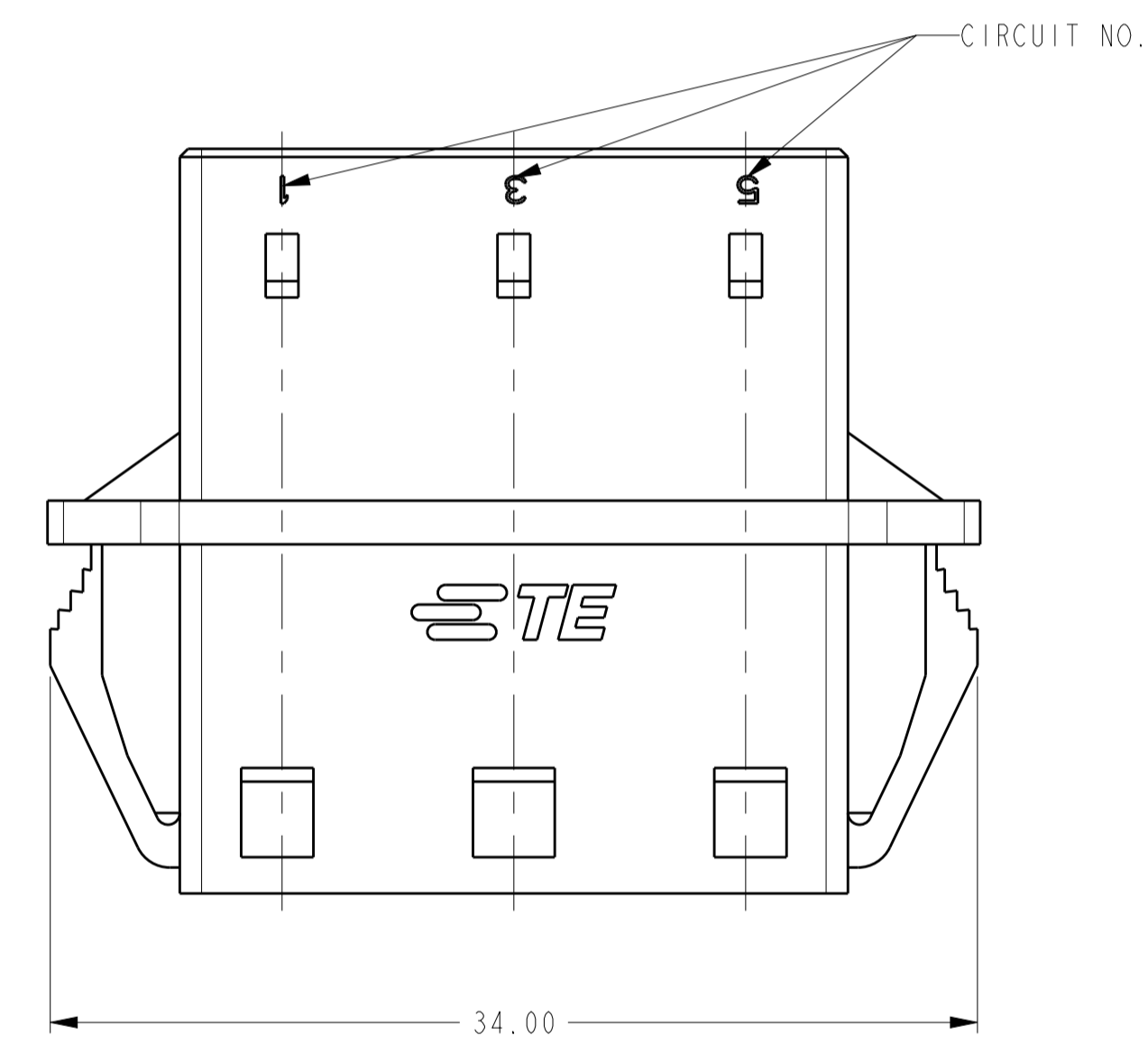
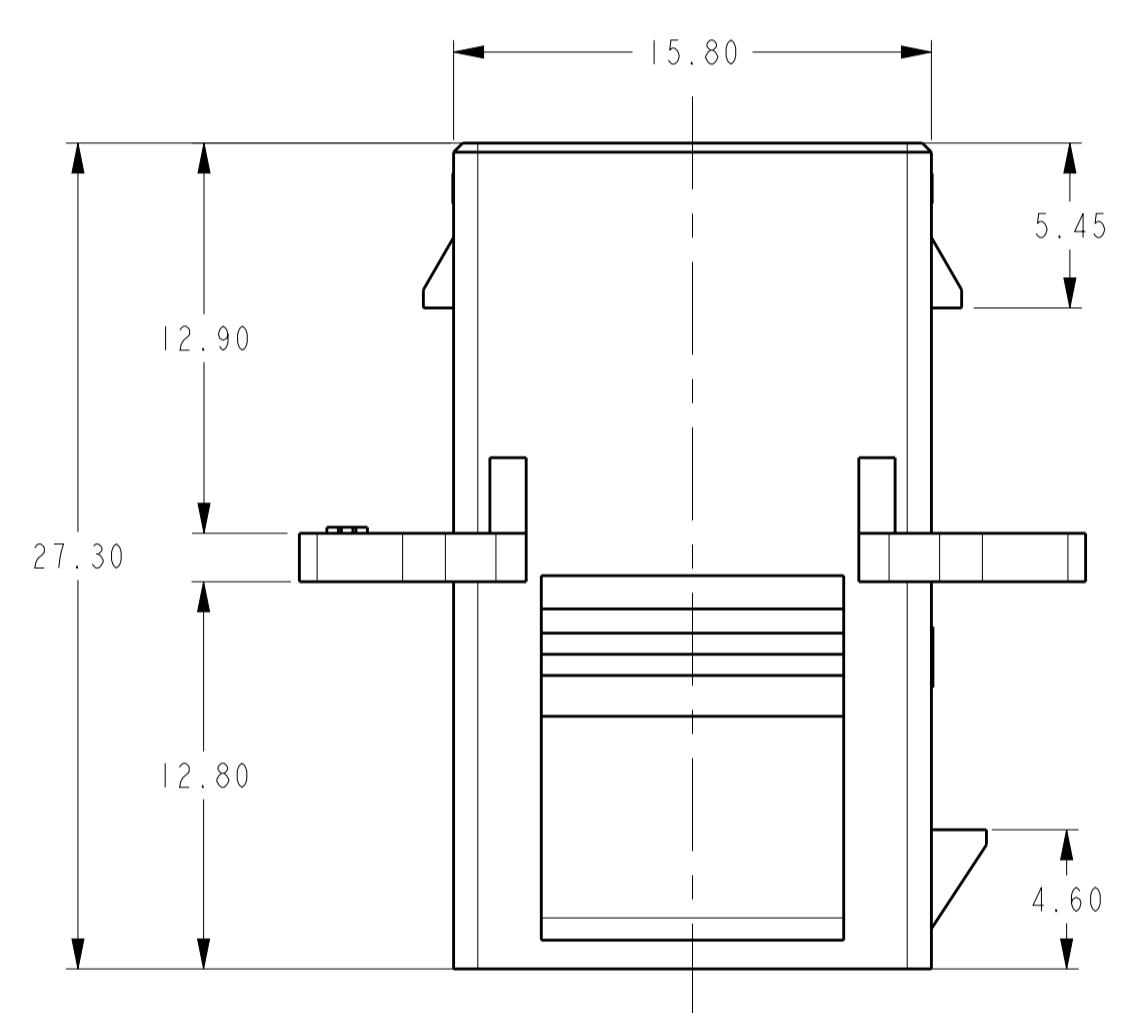


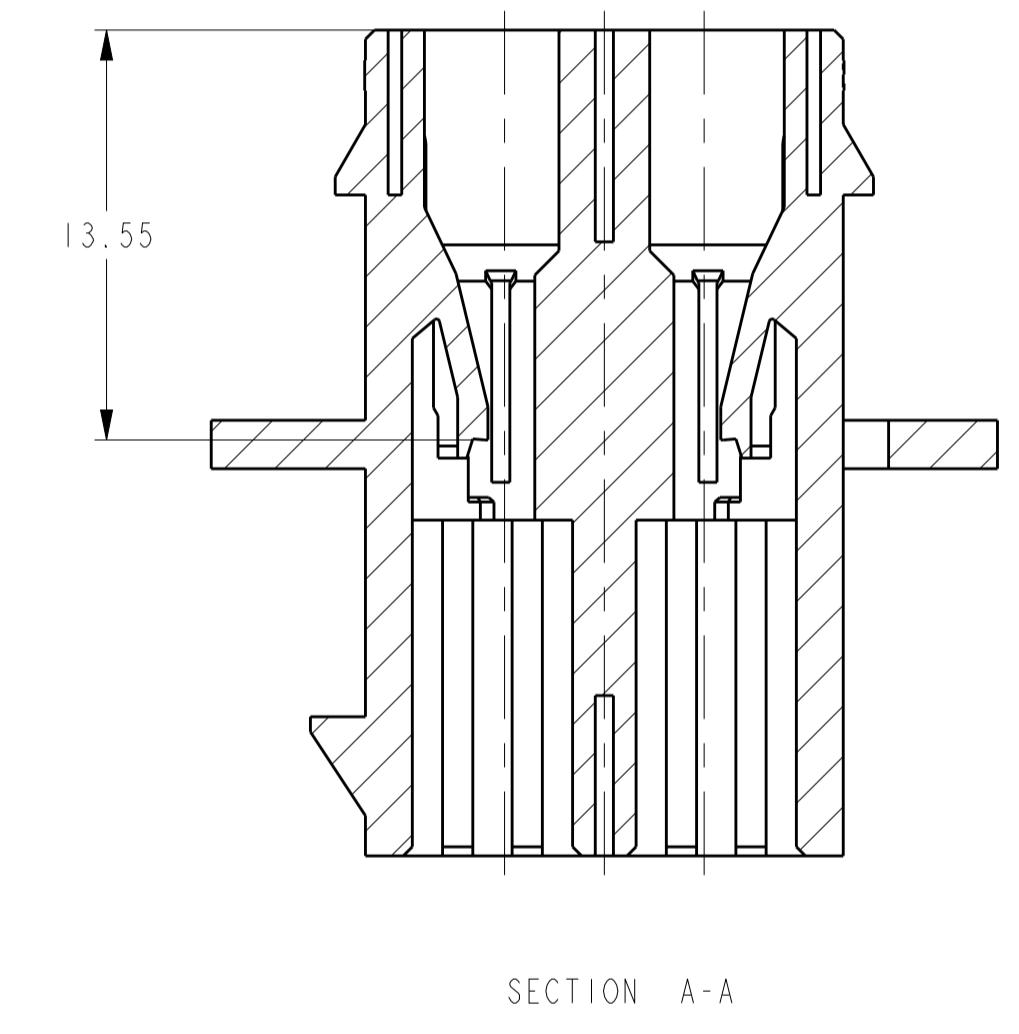
REVISONS		DATE	DWN	APVD
A	RELEASED	17AUG2011	R. C	E. K
A1	ADD "GWT REQUIREMENTS" IN NOTE 7.	11OCT2012	DZ	YH. M
A2	REVISED PER ECR-17-012469	25AUG2017	N. L	D. Z
B	REVISED PER ECR-19-015245	01OCT2019	M. G	D. Z



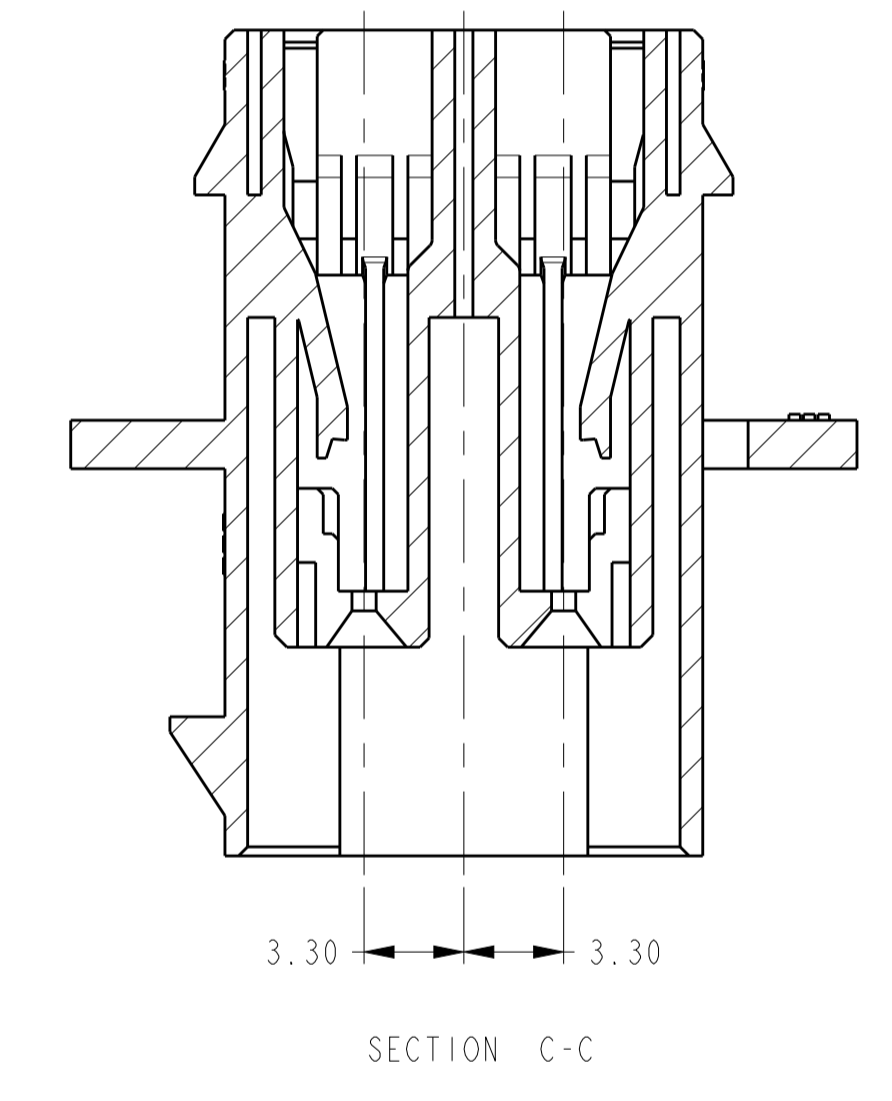
RECOMMENDED PANEL OPENING DIMENSIONS
 (TOLERANCE: ±0.05mm)



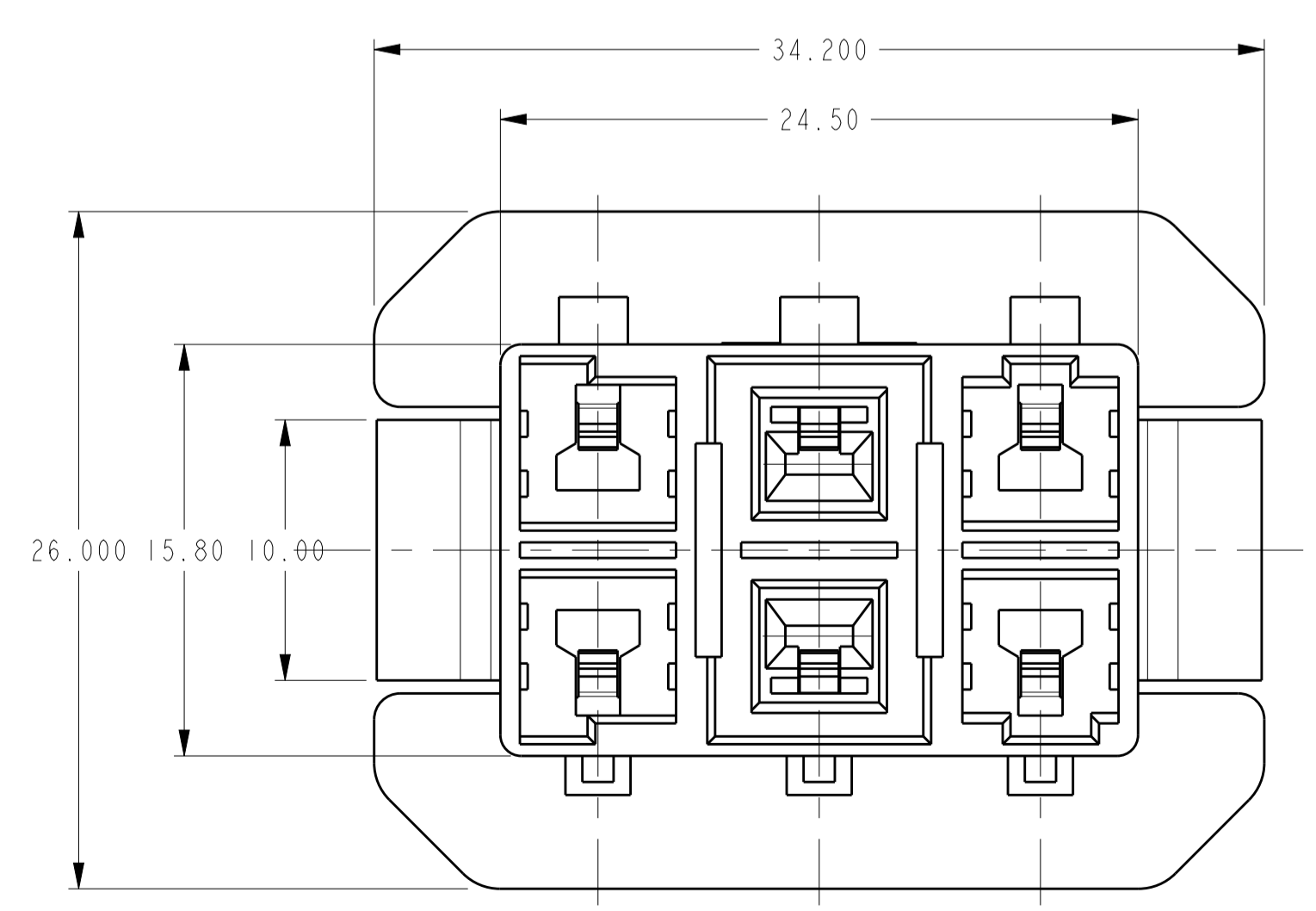
CONN. INSERTION DIRECTION FOR PANEL



SECTION A-A

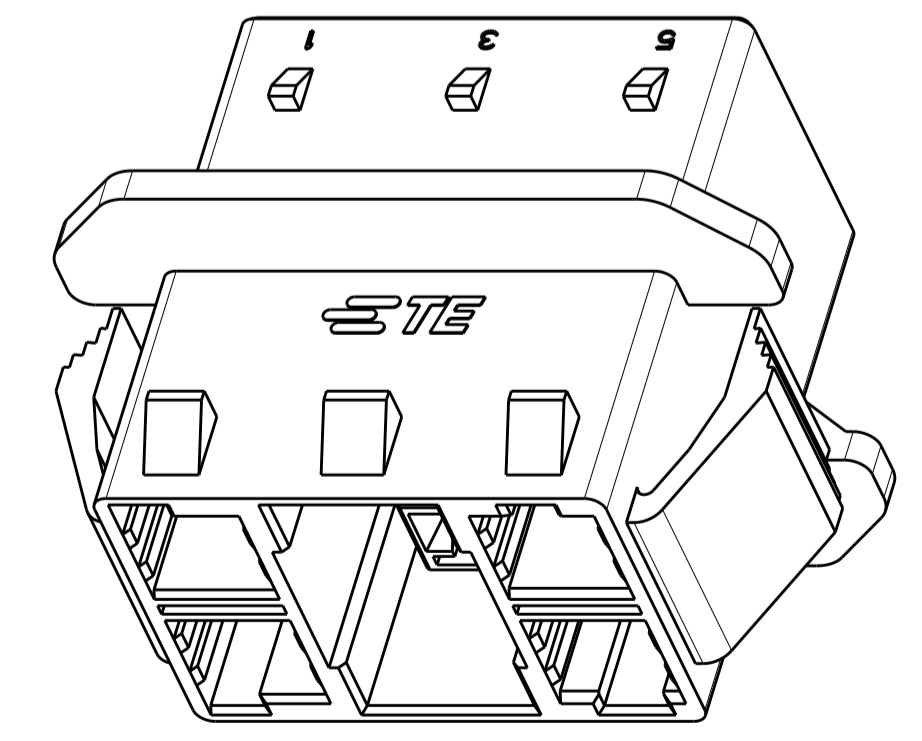


SECTION C-C



NOTE

- MATERIAL: THERMOPLASTIC, UL94 V-0, COLOR: NATURAL
- PRODUCT SPEC: 108-106071
- APPLICABLE CONTACT P/N:
 TAB CONTACT: 1983661/2-1 FOR CIRCUIT NO. 1, 2, 5, 6.
 REC CONTACT: 1983663/4-1 FOR CIRCUIT NO. 3, 4
- MATING CONN. P/N:
 HSG: 1983660-1(2P), 1983659-1(4P)
- APPLICABLE DOUBLE LOCK PLATE P/N: 1983667-1
- APPLICABLE PANEL THICKNESS: 1.2mm
- PRODUCT COMPLY WITH GLOW WIRE REQUIREMENTS FOR PARTS OF NON-METALLIC MATERIAL SUPPORTING A CURRENT-CARRYING CONNECTION DETAILED IN IEC 60335-1, SECTION 30 (GWT).



THIS DRAWING IS A CONTROLLED DOCUMENT.		DWN: RICHARD CHEN 19AUG2011	PART NUMBER 1983658-1	
DIMENSIONS: mm		CHK: HAPYE WU 19AUG2011	STE TE Connectivity	
TOLERANCES UNLESS OTHERWISE SPECIFIED:		APVD: ERIC KONG 19AUG2011	NAME: MULTI 6P CONNECTOR	
0 PLC ±	1 PLC ±0.30	PRODUCT SPEC: 108-106071	SIZE: A1	CAGE CODE: 00779
2 PLC ±	3 PLC ±	APPLICATION SPEC: 114-106071	SCALE: 4:1	DRAWING NO: 1983658
4 PLC ±	ANGLES ±2°	WEIGHT: -	SHEET: 1	OF: 1
MATERIAL: -	FINISH: -	CUSTOMER DRAWING	REV: B	

X-ON Electronics

Largest Supplier of Electrical and Electronic Components

Click to view similar products for [Headers & Wire Housings](#) category:

Click to view products by [TE Connectivity](#) manufacturer:

Other Similar products are found below :

[95000-104TRLF](#) [10135584-644402LF](#) [DF62W-EP2022PCA](#) [95000-106TRLF](#) [DF62W-2022SCA](#) [DF62W-EP2022PC](#) [2203348](#) [DF62W-2022SC](#) [1084018](#) [1029039](#) [1084017](#) [802-10-012-10-002000](#) [1112640](#) [1112639](#) [000-34000](#) [0009482033](#) [0009507031](#) [57102-S06-03LF](#) [57202-S52-04LF](#) [PCN6-15S-2.5E](#) [0039019024](#) [58102-G61-06LF](#) [582553-1](#) [0009508121](#) [0050291907](#) [018731A](#) [LY20-4P-DT1-P1E-BR](#) [02.125.8002.8](#) [60101931](#) [60598-1 \(Cut Strip\)](#) [M1625-3R/100](#) [61062-3](#) [61082-181009](#) [636-1427](#) [638009-1](#) [641938-9](#) [641991-4](#) [644168-1](#) [647662-1](#) [65039-019ELF](#) [65817-002LF](#) [65817-015LF](#) [65863-015LF](#) [66207-023LF](#) [67016-026LF](#) [67046-001LF](#) [67095-007LF](#) [68002-116](#) [68016-236H](#) [68648-049](#)