

THIS DRAWING IS UNPUBLISHED.

RELEASED FOR PUBLICATION

20

© COPYRIGHT 20 BY -

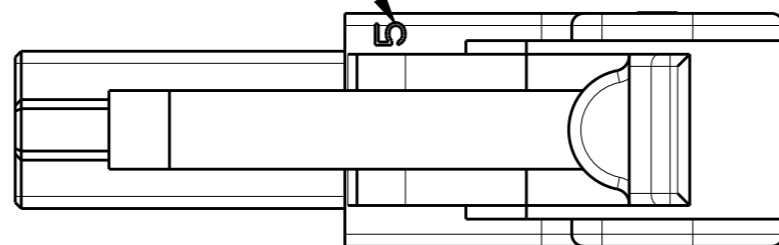
ALL RIGHTS RESERVED.

LOC - DIST -

REVISIONS

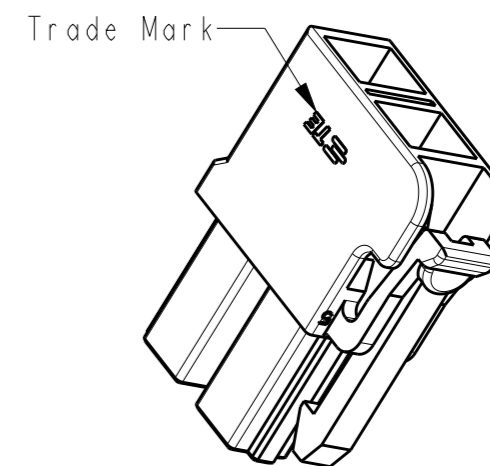
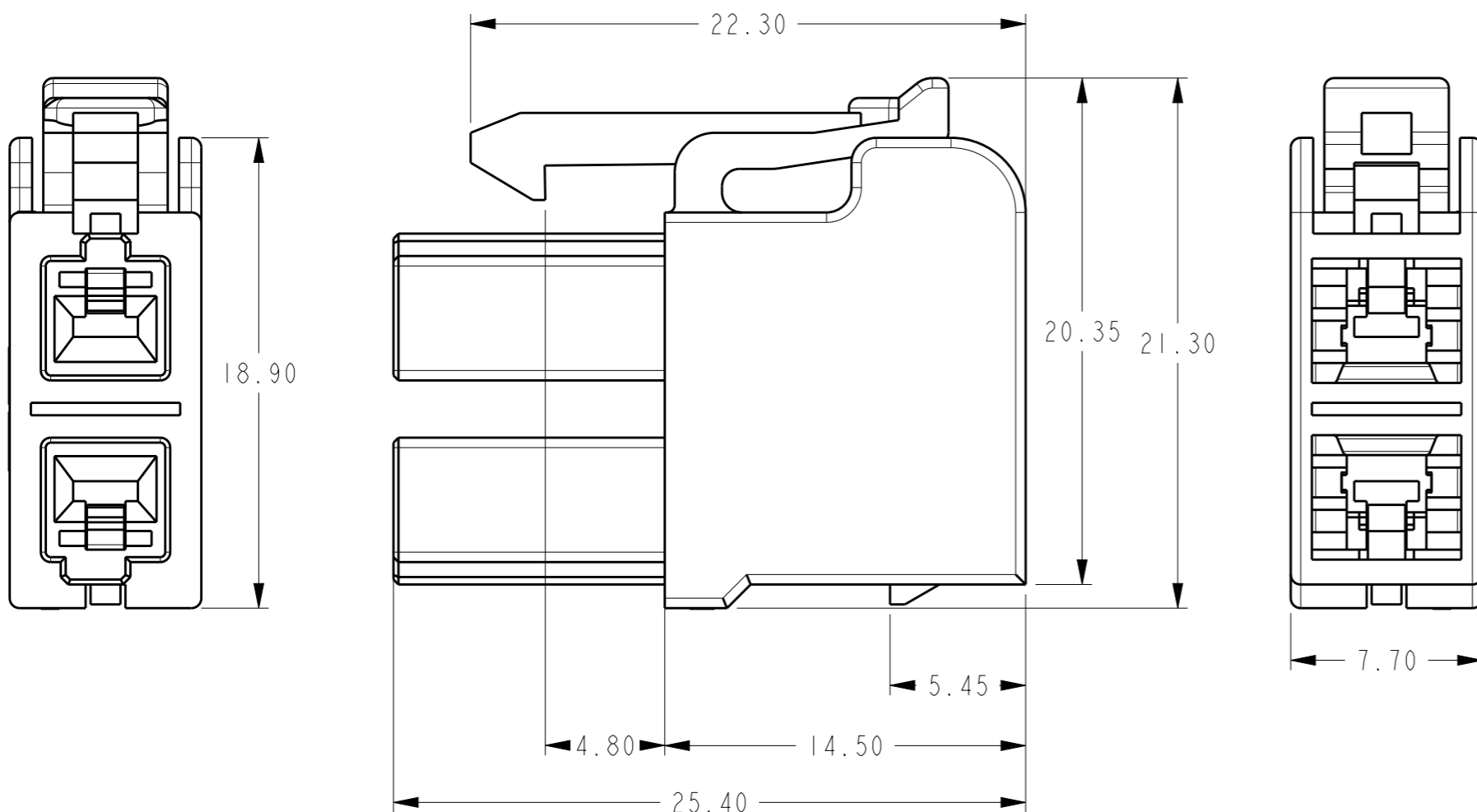
P	LTR	DESCRIPTION	DATE	DWN	APVD
	A	RELEASE	19AUG2011	R.C	E.K
	A1	ADD "GWT REQUIREMENTS" IN NOTE 6.	11OCT2012	D.Z	YH.M
	B	REVISED PER ECR-19-015245	01OCT2019	M.G	D.Z

CIRCUIT NO.



NOTE

- 1 MATERIAL: THERMOPLASTIC, UL94 V-0
COLOR: NATURAL
- 2 PRODUCT SPEC: 108-106071
- 3 APPLICABLE CONTACT P/N:
REC CONTACT: 1983663/4-1
- 4 MATING CONN. P/N:
HSG: 1983658-1
- 5 APPLICABLE DOUBLE LOCK PLATE P/N: 1983665-1
- 6. PRODUCT COMPLY WITH GLOW WIRE REQUIREMENTS FOR PARTS OF NON-METALLIC MATERIAL SUPPORTING A CURRENT-CARRYING CONNECTION DETAILED IN IEC 60335-1, SECTION 30 (GWT).



PART NUMBER 1983660-1

THIS DRAWING IS A CONTROLLED DOCUMENT.

DWN 19AUG2011 RICHARD CHEN

CHK 19AUG2011 HAPYE WU

APVD 19AUG2011 ERIC KONG

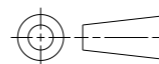
NAME



2P HOUSING
MULTI 6P CONNECTOR

DIMENSIONS:

mm



TOLERANCES UNLESS OTHERWISE SPECIFIED:

- 0 PLC ±-
- 1 PLC ±-
- 2 PLC ±0.30
- 3 PLC ±-
- 4 PLC ±-
- ANGLES ±2°

MATERIAL NOTE 1

FINISH -

PRODUCT SPEC 108-106071

APPLICATION SPEC 114-106071

WEIGHT -

SIZE CAGE CODE DRAWING NO RESTRICTED TO

A3 00779 C-1983660

CUSTOMER DRAWING SCALE 4:1 SHEET 1 OF 1 REV B

X-ON Electronics

Largest Supplier of Electrical and Electronic Components

Click to view similar products for [Headers & Wire Housings](#) category:

Click to view products by [TE Connectivity](#) manufacturer:

Other Similar products are found below :

[95000-104TRLF](#) [10135584-644402LF](#) [DF62W-EP2022PCA](#) [95000-106TRLF](#) [DF62W-2022SCA](#) [DF62W-EP2022PC](#) [2203348](#) [DF62W-2022SC](#) [1084018](#) [1029039](#) [1084017](#) [802-10-012-10-002000](#) [1112640](#) [1112639](#) [000-34000](#) [0009482033](#) [0009507031](#) [57102-S06-03LF](#) [57202-S52-04LF](#) [PCN6-15S-2.5E](#) [0039019024](#) [58102-G61-06LF](#) [582553-1](#) [0009508121](#) [0050291907](#) [018731A](#) [LY20-4P-DT1-P1E-BR](#) [02.125.8002.8](#) [60101931](#) [60598-1 \(Cut Strip\)](#) [M1625-3R/100](#) [61062-3](#) [61082-181009](#) [636-1427](#) [638009-1](#) [641938-9](#) [641991-4](#) [644168-1](#) [647662-1](#) [65039-019ELF](#) [65817-002LF](#) [65817-015LF](#) [65863-015LF](#) [66207-023LF](#) [67016-026LF](#) [67046-001LF](#) [67095-007LF](#) [68002-116](#) [68016-236H](#) [68648-049](#)