

THIS DRAWING IS UNPUBLISHED.

RELEASED FOR PUBLICATION

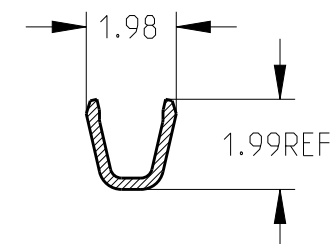
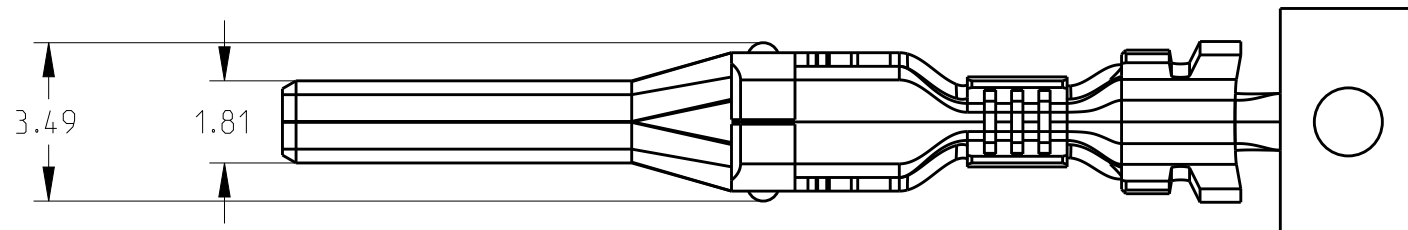
© COPYRIGHT 19 BY -

ALL RIGHTS RESERVED.

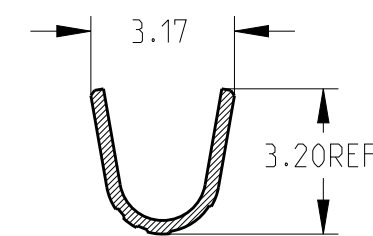
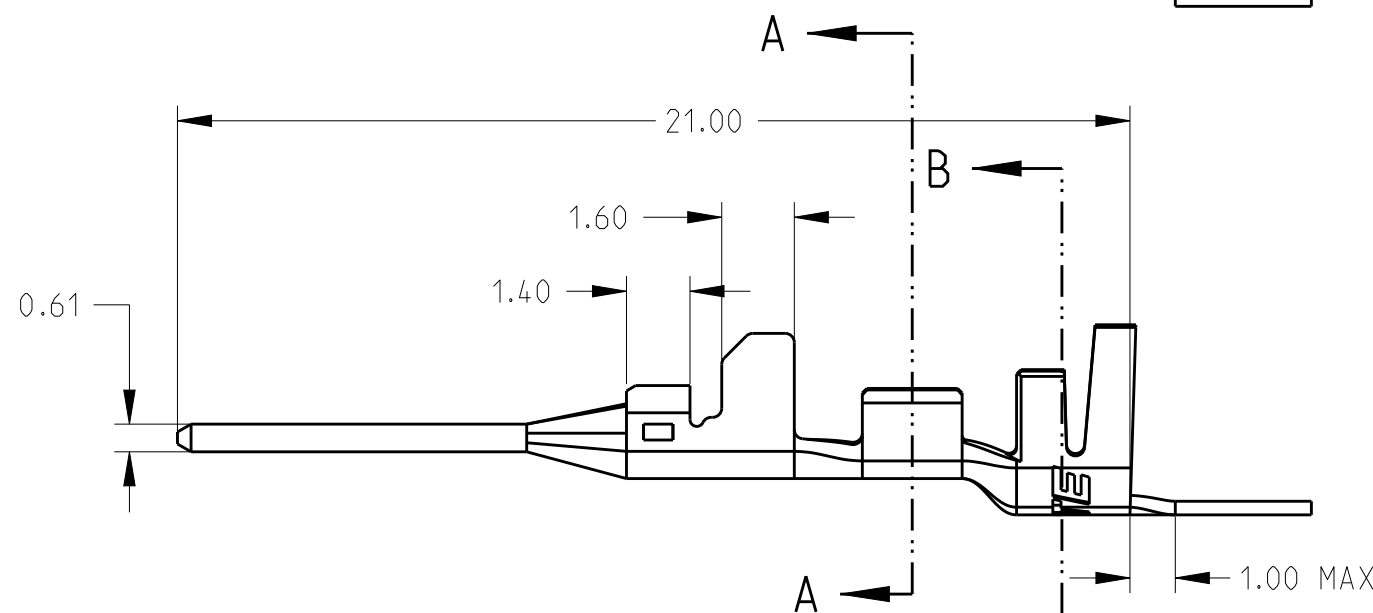
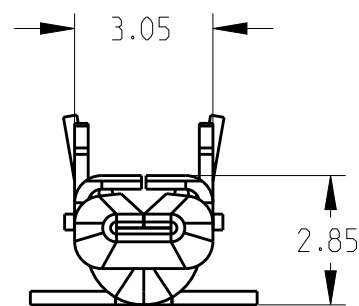
LOC ES DIST 00

REVISIONS

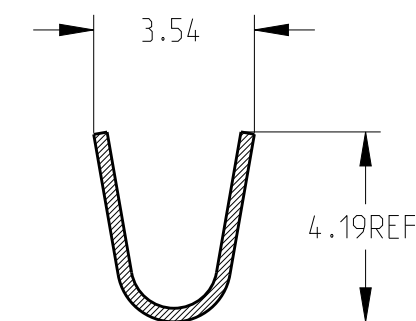
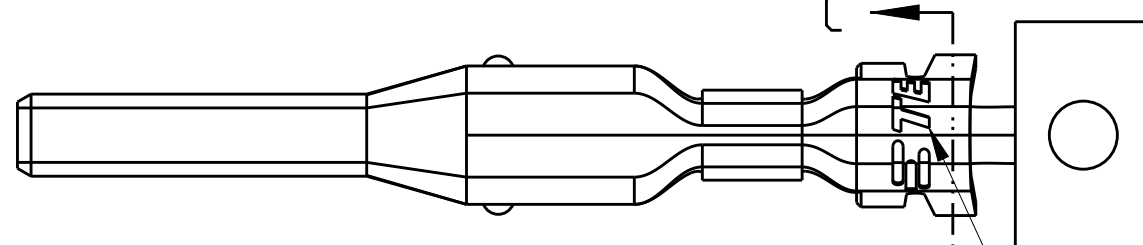
P	LTR	DESCRIPTION	DATE	DWN	APVD
	A2	REVISED PER ECR-19-003481	20 JUN 19	N.L	D.Z



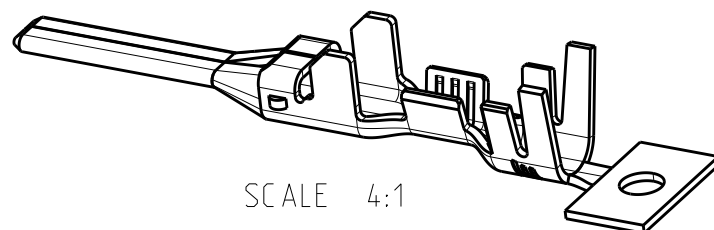
SECTION A-A



SECTION B-B



SECTION C-C



SCALE 4:1

4000PCS/REEL	3-1983662-1
5000PCS/REEL	1983662-1
UNIT PKG QTY	PART NO.

NOTE:
 1.MATERIAL:COPPER ALLOY,PRE-TINNED
 2.APPLICABLE HOUSING P/N:1983658-*, 1983659-
 3.APPLICABLE WIRE RANGE:22-26AWG

THIS DRAWING IS A CONTROLLED DOCUMENT.

DWN LEO LIU 24AUG2011
 CHK HAPYE WU 24AUG2011
 APVD ERIC KONG 24AUG2011



DIMENSIONS:	TOLERANCES UNLESS OTHERWISE SPECIFIED:
mm	
	0 PLC ±
	1 PLC ±1.0
	2 PLC ±0.50
	3 PLC ±0.300
	4 PLC ±0.2000
	ANGLES ±

PRODUCT SPEC 108-106071
 APPLICATION SPEC 114-106071
 WEIGHT -

NAME			
TAB CONTACT MULTI 6P CONNECTOR			
SIZE	CAGE CODE	DRAWING NO	RESTRICTED TO
A3	-	©=1983662	

MATERIAL - FINISH -

CUSTOMER DRAWING

SCALE N/A SHEET 1 OF 1 REV A2

X-ON Electronics

Largest Supplier of Electrical and Electronic Components

Click to view similar products for [Headers & Wire Housings](#) category:

Click to view products by [TE Connectivity](#) manufacturer:

Other Similar products are found below :

[95000-104TRLF](#) [10135584-644402LF](#) [DF62W-EP2022PCA](#) [95000-106TRLF](#) [DF62W-2022SCA](#) [DF62W-EP2022PC](#) [2203348](#) [DF62W-2022SC](#) [1084018](#) [1029039](#) [1084017](#) [802-10-012-10-002000](#) [1112640](#) [1112639](#) [000-34000](#) [0009482033](#) [0009507031](#) [57102-S06-03LF](#) [57202-S52-04LF](#) [PCN6-15S-2.5E](#) [0039019024](#) [58102-G61-06LF](#) [582553-1](#) [0009508121](#) [0050291907](#) [018731A](#) [LY20-4P-DT1-P1E-BR](#) [02.125.8002.8](#) [60101931](#) [60598-1 \(Cut Strip\)](#) [M1625-3R/100](#) [61062-3](#) [61082-181009](#) [636-1427](#) [638009-1](#) [641938-9](#) [641991-4](#) [644168-1](#) [647662-1](#) [65039-019ELF](#) [65817-002LF](#) [65817-015LF](#) [65863-015LF](#) [66207-023LF](#) [67016-026LF](#) [67046-001LF](#) [67095-007LF](#) [68002-116](#) [68016-236H](#) [68648-049](#)