

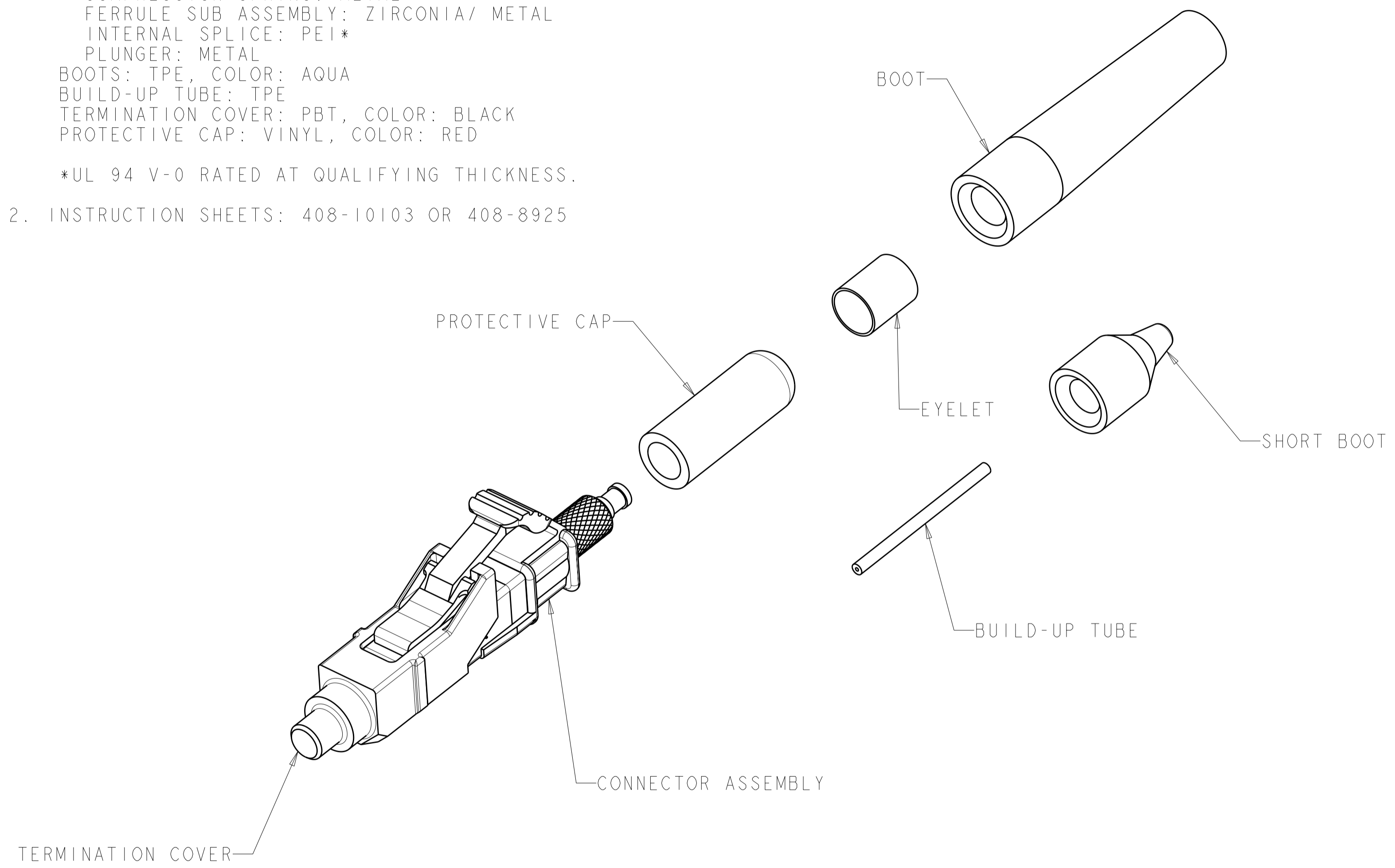
THIS DRAWING IS UNPUBLISHED. RELEASED FOR PUBLICATION 20
 © COPYRIGHT 20 BY - ALL RIGHTS RESERVED.

LOC	DIST	REVISIONS			
P	LTR	DESCRIPTION	DATE	DWN	APVD
CE	00	A	RELEASED PER ECO 11-023416	01DEC2011	DLF SB

⚠ MATERIAL:
 CONNECTOR ASSEMBLY:
 CONNECTOR HOUSING: PPSU, COLOR: SEE -NO'S.*
 REAR BODY: METAL
 COMPRESSION SPRING: METAL
 FERRULE SUB ASSEMBLY: ZIRCONIA/ METAL
 INTERNAL SPLICE: PEI*
 PLUNGER: METAL
 BOOTS: TPE, COLOR: AQUA
 BUILD-UP TUBE: TPE
 TERMINATION COVER: PBT, COLOR: BLACK
 PROTECTIVE CAP: VINYL, COLOR: RED

*UL 94 V-0 RATED AT QUALIFYING THICKNESS.

2. INSTRUCTION SHEETS: 408-10103 OR 408-8925



SLATE	1-1985960-0
ORANGE	1985960-9
VIOLET	1985960-8
BROWN	1985960-7
AQUA	1985960-6
ROSE	1985960-5
BLUE	1985960-4
GREEN	1985960-3
YELLOW	1985960-2
RED	1985960-1
KEYED HOUSING COLOR	PART NO.

THIS DRAWING IS A CONTROLLED DOCUMENT.		DWN B. BRIGGS 01APR2008	TE Connectivity	
DIMENSIONS: mm		CHK C. BENNETT 01APR2008		
TOLERANCES UNLESS OTHERWISE SPECIFIED:		APVD S. BUCHTER 01APR2008	NAME KIT, CONNECTOR, LightCrimp Plus LC SECURE, SIMPLEX, MM50XG, 250um-2.0mm JACKET	
0 PLC ±		PRODUCT SPEC	SIZE	RESTRICTED TO
1 PLC ±		APPLICATION SPEC	A200779	-
2 PLC ±		WEIGHT	C=1985960	
3 PLC ±			SCALE 4:1	SHEET 1 OF 1
4 PLC ±				REV A
ANGLES ±				
FINISH				
MATERIAL		CUSTOMER DRAWING		

X-ON Electronics

Largest Supplier of Electrical and Electronic Components

Click to view similar products for [Fibre Optic Connectors](#) category:

Click to view products by [TE Connectivity](#) manufacturer:

Other Similar products are found below :

[0004700001](#) [6100-R](#) [6313](#) [F709034706](#) [F709730000](#) [F718183204](#) [F727403500](#) [F727752800](#) [8119](#) [9440F20-27S-190](#) [944-120-6001](#)
[9441F10SL-3S](#) [9444W28-21S](#) [9444W36-10S](#) [9446F10SL-4S](#) [9446W20-16S](#) [953-101-5310-P](#) [954-101-57202B](#) [A0270169](#) [12-9122](#) [12-5702](#)
[AX101713](#) [AX102420](#) [AX103923](#) [AX104024](#) [AX104193](#) [AX104230](#) [AX104498](#) [AX104562](#) [AX105203-B25](#) [AX105205-S1](#) [EHSC2M](#)
[181-011-126](#) [181-011-S](#) [181-057-126](#) [HRFC-R2\(40\)](#) [NKSOPBUY](#) [20500002116](#) [2064996-1](#) [20800001065](#) [2170](#) [9132](#) [2612](#) [2620](#) [9291](#)
[9440F16-10S](#) [9440F20-18S](#) [9446F16-10S-190](#) [953-106-50231](#) [953-120-5003](#)