

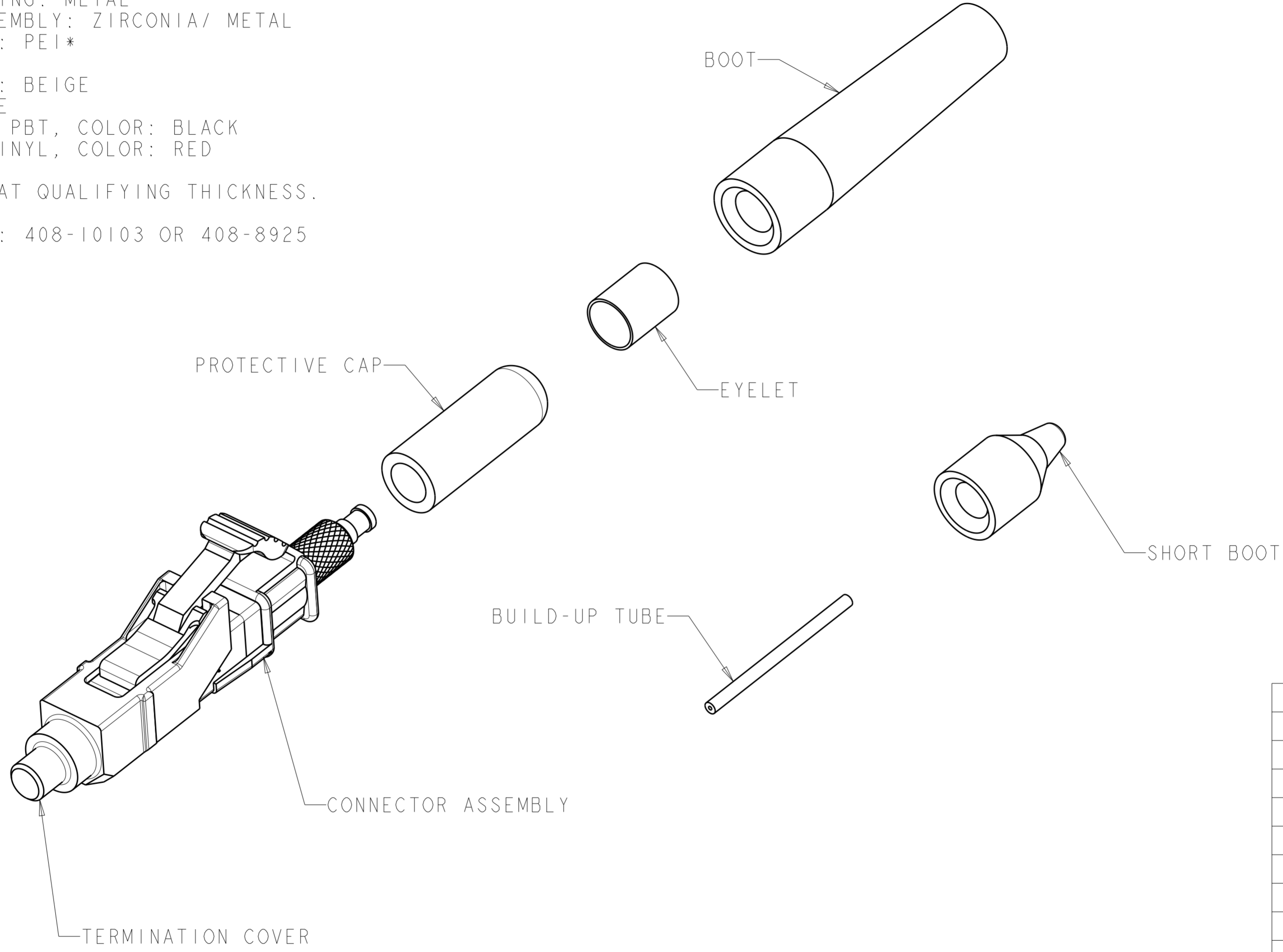
THIS DRAWING IS UNPUBLISHED. RELEASED FOR PUBLICATION 20
 © COPYRIGHT 20 BY - ALL RIGHTS RESERVED.

LOC	DIST	REVISIONS					
CE	00	P	LTR	DESCRIPTION	DATE	DWN	APVD
		A		RELEASED. ECO-12-018280	23OCT2012	JM	TE

⚠ MATERIAL:
 CONNECTOR ASSEMBLY:
 CONNECTOR HOUSING: PPSU, COLOR: SEE -NO'S*
 REAR BODY: METAL
 COMPRESSION SPRING: METAL
 FERRULE SUB ASSEMBLY: ZIRCONIA/ METAL
 INTERNAL SPLICE: PEI*
 PLUNGER: METAL
 BOOTS: TPE, COLOR: BEIGE
 BUILD-UP TUBE: TPE
 TERMINATION COVER PBT, COLOR: BLACK
 PROTECTIVE CAP: VINYL, COLOR: RED

*UL 94 V-0 RATED AT QUALIFYING THICKNESS.

2. INSTRUCTION SHEETS: 408-10103 OR 408-8925



SLATE	1-1985961-0
ORANGE	1985961-9
VIOLET	1985961-8
BROWN	1985961-7
AQUA	1985961-6
ROSE	1985961-5
BLUE	1985961-4
GREEN	1985961-3
YELLOW	1985961-2
RED	1985961-1
KEYED HOUSING COLOR	PART NO.

THIS DRAWING IS A CONTROLLED DOCUMENT.

DWN B. BRIGGS 01APR2008	TE Connectivity
CHK C. BENNETT 01APR2008	
APVD S. BUCHTER 01APR2008	
PRODUCT SPEC	
NAME KIT, CONNECTOR, LightCrimp Plus LC SECURE, SIMPLEX, MM62.5, 250um-2.0mm JACKET	
SIZE CAGE CODE DRAWING NO RESTRICTED TO	
A200779 C-1985961 -	
Customer Drawing SCALE 4:1 SHEET 1 OF 1 REV A	

DIMENSIONS:		TOLERANCES UNLESS OTHERWISE SPECIFIED:	
mm		0 PLC	±
		1 PLC	±
		2 PLC	±
		3 PLC	±
		4 PLC	±
		ANGLES	±
MATERIAL		FINISH	

X-ON Electronics

Largest Supplier of Electrical and Electronic Components

Click to view similar products for [Fibre Optic Connectors](#) category:

Click to view products by [TE Connectivity](#) manufacturer:

Other Similar products are found below :

[0004700001](#) [6100-R](#) [6313](#) [F709034706](#) [F709722200](#) [F709730000](#) [F718183204](#) [F727403500](#) [F727752800](#) [8119](#) [9440F20-27S-190](#) [944-120-6001](#) [9441F10SL-3S](#) [9444W28-21S](#) [9444W36-10S](#) [9446F10SL-4S](#) [9446W20-16S](#) [953-101-5310-P](#) [954-101-57202B](#) [A0270169](#) [12-9122](#) [12-5702](#) [AX101713](#) [AX102420](#) [AX103923](#) [AX104024](#) [AX104193](#) [AX104230](#) [AX104498](#) [AX104562](#) [AX105203-B25](#) [AX105205-S1](#) [EHSC2M](#) [181-011-126](#) [181-011-S](#) [181-057-126](#) [HRFC-R2\(40\)](#) [NKSOPBUY](#) [20500002116](#) [2064996-1](#) [20800001065](#) [2170](#) [9132](#) [2612](#) [2620](#) [9291](#) [9440F16-10S](#) [9440F20-18S](#) [9446F16-10S-190](#) [953-106-50231](#)