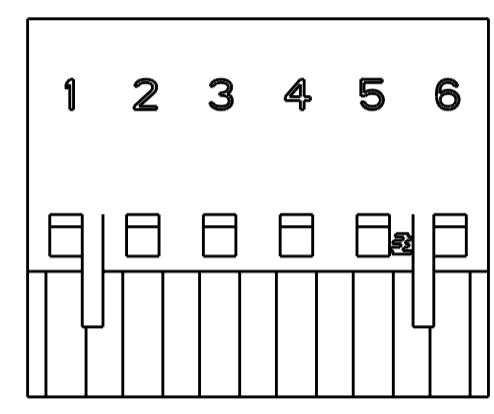
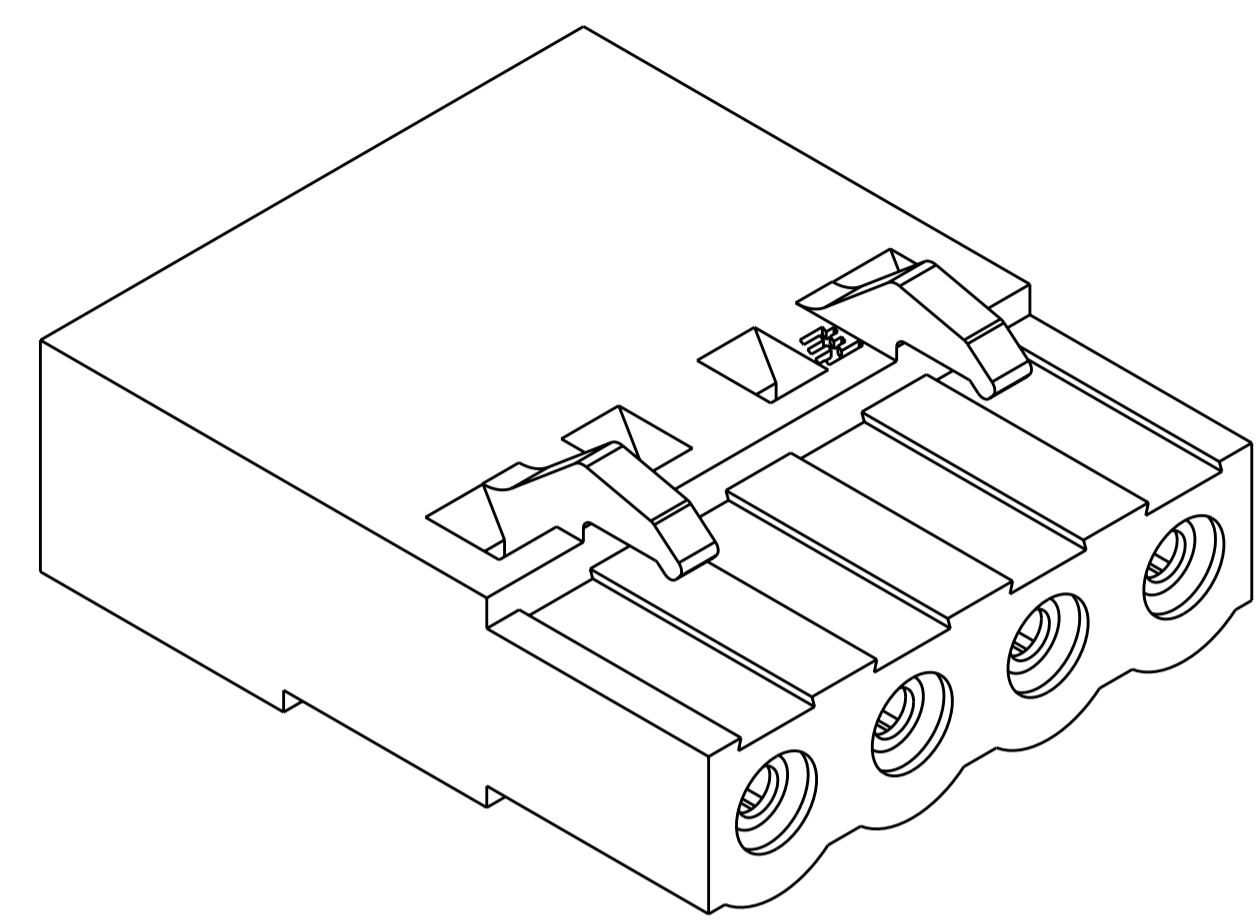
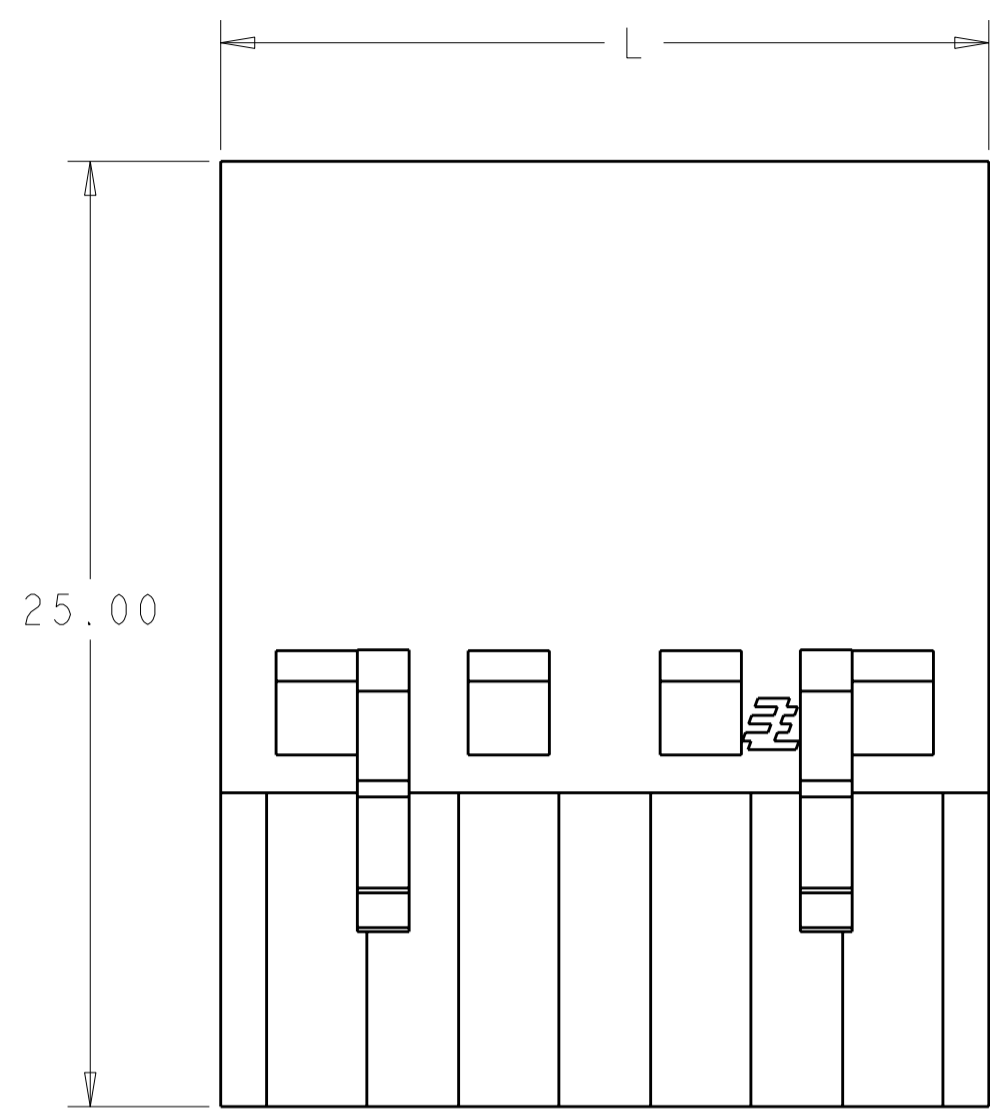
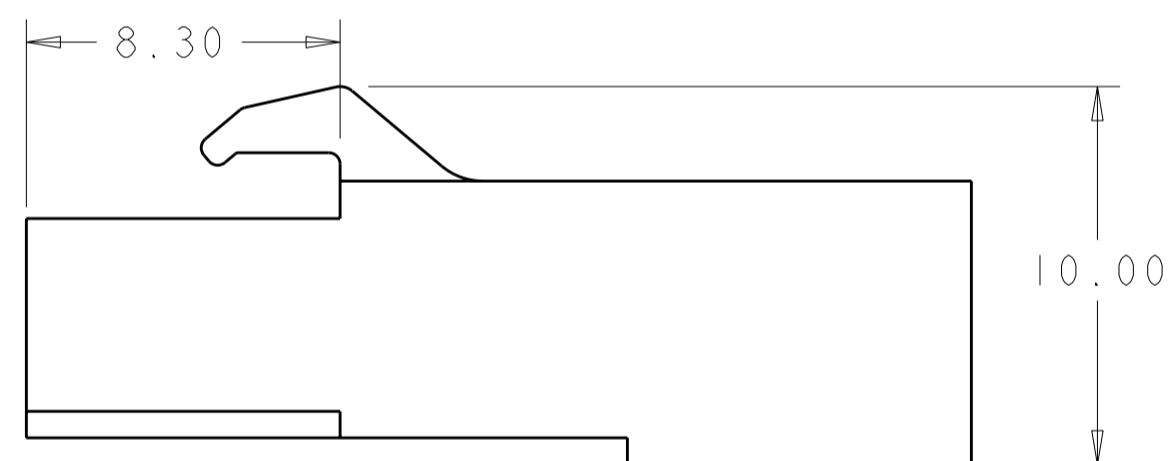
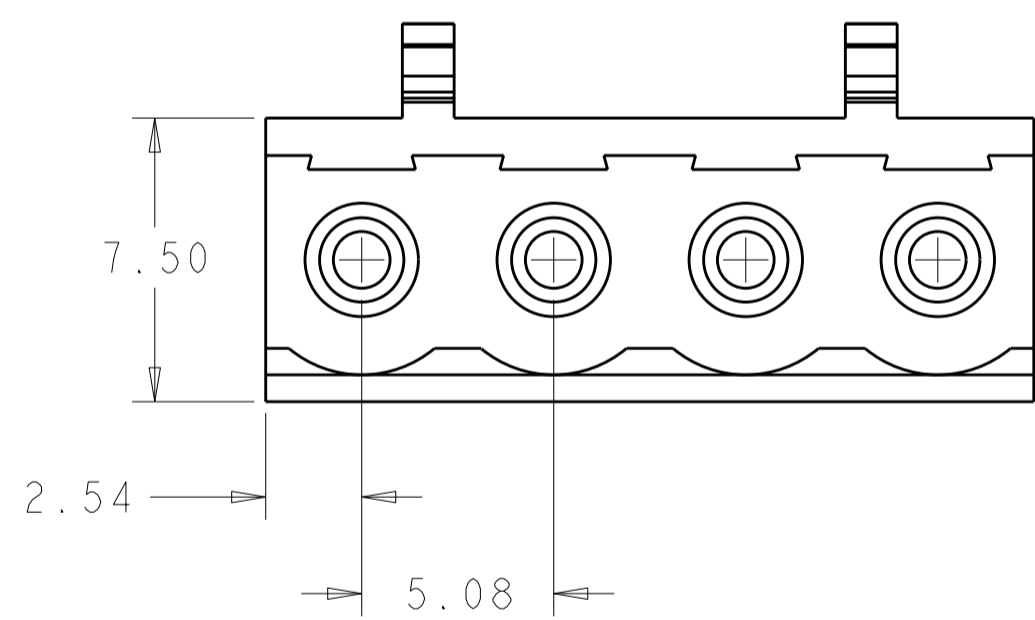


THIS DRAWING IS UNPUBLISHED. RELEASED FOR PUBLICATION 20  
 © COPYRIGHT 20 BY - ALL RIGHTS RESERVED.

LOC	DIST	REVISIONS			
P	LTR	DESCRIPTION	DATE	DWN	APVD
FT	0	A4	REVISED PER ECO-11-004917	12MAR2011	RK HMR



DETAIL C  $\triangle$ 4



THIS PRODUCT HAS NOT COMPLETED VALIDATION TESTING

$\triangle$ 4 $\triangle$ 5	GREEN	30.48	6	2-1986160-6
	GRAY	30.48	6	1-1986160-6
	GRAY	25.40	5	1-1986160-5
	GRAY	20.32	4	1-1986160-4
	GRAY	15.24	3	1-1986160-3
	GRAY	10.16	2	1-1986160-2
	GREEN	30.48	6	1986160-6
	GREEN	25.40	5	1986160-5
	GREEN	20.32	4	1986160-4
	GREEN	15.24	3	1986160-3
	GREEN	10.16	2	1986160-2
	HOUSING COLOR	L	NO OF POSN	PART NUMBER

- MATERIAL:  
HOUSING - POLYESTER, UL 94V-0 RATED, COLOR: SEE TABLE.
- RECOMMENDED CRIMP STYLE CONTACTS, (965899 AND 965901) TO BE USED WITH THIS HOUSING.
- CONNECTOR MATES WITH 5.08mm OPEN AND CLOSED END INDUSTRY STANDARD HEADERS.

$\triangle$ 4 PART TO BE MARKED WITH BLACK PERMANENT MARKING SEE DETAIL C, LETTER TO BE 3.8 MM IN HEIGHT

$\triangle$ 5 PRELIMINARY

THIS DRAWING IS A CONTROLLED DOCUMENT.		DWN S. WELDON 19MAR2007	TE Connectivity	
DIMENSIONS: mm		CHK C. RICHARD 19MAR2007		
TOLERANCES UNLESS OTHERWISE SPECIFIED:		APVD C. RICHARD 19MAR2007	NAME PLUG HOUSING, TERMINAL BLOCK, CRIMP STYLE, 5.08mm PITCH	
0 PLC ±-		PRODUCT SPEC	SIZE CAGE CODE DRAWING NO RESTRICTED TO	
1 PLC ±0.5		APPLICATION SPEC	A200779C-1986160	
2 PLC ±0.13		WEIGHT	SCALE 5:1 SHEET OF REV A4	
3 PLC ±0.000		CUSTOMER DRAWING		
4 PLC ±0.000				
ANGLES ±-				
FINISH				

## X-ON Electronics

Largest Supplier of Electrical and Electronic Components

*Click to view similar products for [Pluggable Terminal Blocks](#) category:*

*Click to view products by [TE Connectivity](#) manufacturer:*

Other Similar products are found below :

[57.510.0053](#) [MC 1.5/ 6-ST-3.5 GY AU](#) [734-104](#) [734-302](#) [8-141-P](#) [8426620000](#) [860505](#) [860516](#) [860810](#) [GBPACX-12](#) [93.731.4953.0](#) [PV05-5,08-K](#) [PVP02-5,00](#) [PVP03-3,50](#) [PVP04-3,50](#) [PVS02-5,00](#) [1-1986160-3](#) [1377680000](#) [1531000000](#) [1546228-5](#) [ELFH16150](#) [ELFP03110](#) [ELFP10210](#) [ELFT06250](#) [ELVP03100](#) [1700101](#) [1700410](#) [1700425](#) [1702246](#) [1705229](#) [1710175](#) [1714537](#) [1717806](#) [1719600](#) [1728941](#) [1734692](#) [1734795](#) [1736036](#) [1740194](#) [1740291](#) [1740628](#) [1740990](#) [1746952](#) [1750207](#) [1752441](#) [1752865](#) [1754115](#) [1754144](#) [1756913](#) [1760051](#)