

THIS DRAWING IS UNPUBLISHED.

RELEASED FOR PUBLICATION

ALL RIGHTS RESERVED.

© COPYRIGHT - By -

LOC FT DIST 0

REVISIONS

P	LTR	DESCRIPTION	DATE	DWN	APVD
	A6	ADD- RECOMMENDED PCB LAYOUT	17MAR2015	CR	PS

MATERIALS:

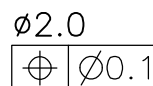
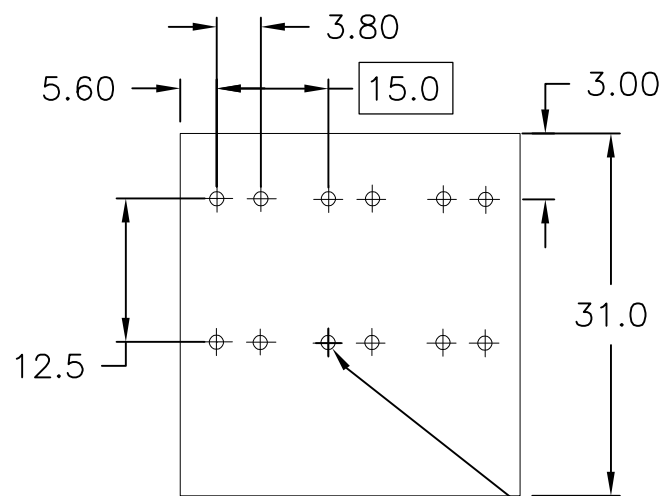
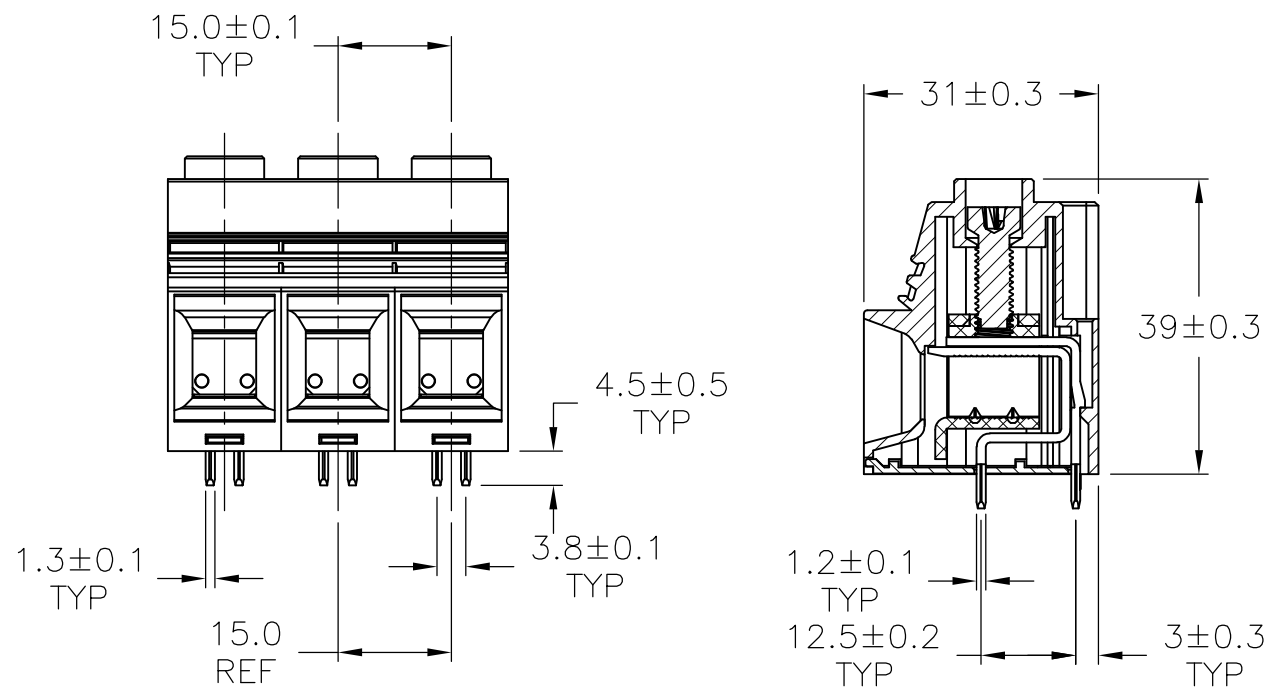
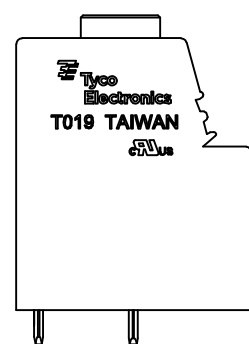
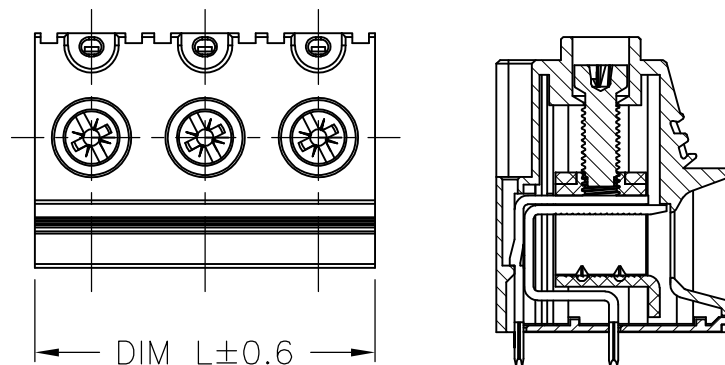
HOUSING: PA66, UL94V-0, COLOR: GREEN.
 TERMINAL: BRASS, TIN PLATED.
 CAGE CLAMP: STEEL, ZINC PLATED.
 SCREW: M5, STEEL, TRI-CHROMATE.

ELECTRICAL:

CURRENT RATING: 125A
 VOLTAGE RATING: 600V.
 INSULATION WITHSTANDS: AC2000V MIN
 INSULATION RESISTANCE: 2000Mohm/DC500V
 WIRE RANGE: 1-20 AWG

MECHANICAL:

SCREW TORQUE: 30 IN-LB
 OPERATING TEMP.: -40° TO +105°C
 WIRE STRIP LENGTH: 18mm



RECOMMENDED PCB LAYOUT

DIM L	NO OF POS	PART NUMBER
120.00	8	1986242-8
105.00	7	1986242-7
90.00	6	1986242-6
75.00	5	1986242-5
60.00	4	1986242-4
45.00	3	1986242-3
30.00	2	1986242-2

THIS DRAWING IS A CONTROLLED DOCUMENT.		DWN S SCHLEGEL 28AUG2007	STE TE Connectivity		
DIMENSIONS: mm		CHK C RICHARD 8/28/07			
TOLERANCES UNLESS OTHERWISE SPECIFIED: ±0.1		APVD C RICHARD 8/28/07	NAME POWER CONNECTOR 15.0mm PITCH		
<ul style="list-style-type: none"> 0 PLC ± - 1 PLC ± - 2 PLC ± - 3 PLC ± - 4 PLC ± - ANGLES ± 1° 		PRODUCT SPEC -	RESTRICTED TO -		
MATERIAL -		APPLICATION SPEC -	SIZE A3	CAGE CODE 00779	DRAWING NO C-1986242
FINISH -		WEIGHT -	CUSTOMER DRAWING		SCALE 1:1
			SHEET 1 OF 1		REV A6

X-ON Electronics

Largest Supplier of Electrical and Electronic Components

Click to view similar products for [Fixed Terminal Blocks](#) category:

Click to view products by [TE Connectivity](#) manufacturer:

Other Similar products are found below :

[MBE-1512](#) [MBE-154](#) [MBE-156](#) [MBES-153](#) [MBES-156](#) [MH-2512](#) [MHE-132](#) [MHE-163](#) [MI-254 \(35\)](#) [MI-272](#) [880507](#) [MPT-275](#)
[15602-04-08-21](#) [ELM023100](#) [BA311TU](#) [BA411SU](#) [MV-152](#) [MV-252-D](#) [MV-253/NCNOC](#) [MV-254-D](#) [MV-255](#) [MV-462](#) [MV-493](#) [MVE-](#)
[253](#) [MVE-273](#) [MVEB-153](#) [1700096](#) [1705142](#) [1712417](#) [1713020](#) [1713088](#) [1745195](#) [1760594](#) [1776118-2](#) [1790852](#) [1-796689-8](#) [1-796692-6](#)
[1800001](#) [1800114](#) [1995279](#) [20020314-C121B01LF](#) [CB2-12](#) [KP03215000J0G](#) [KP04215000J0G](#) [S451](#) [282802-2](#) [29.007](#) [29.116](#) [30.103](#)
[30.106](#)