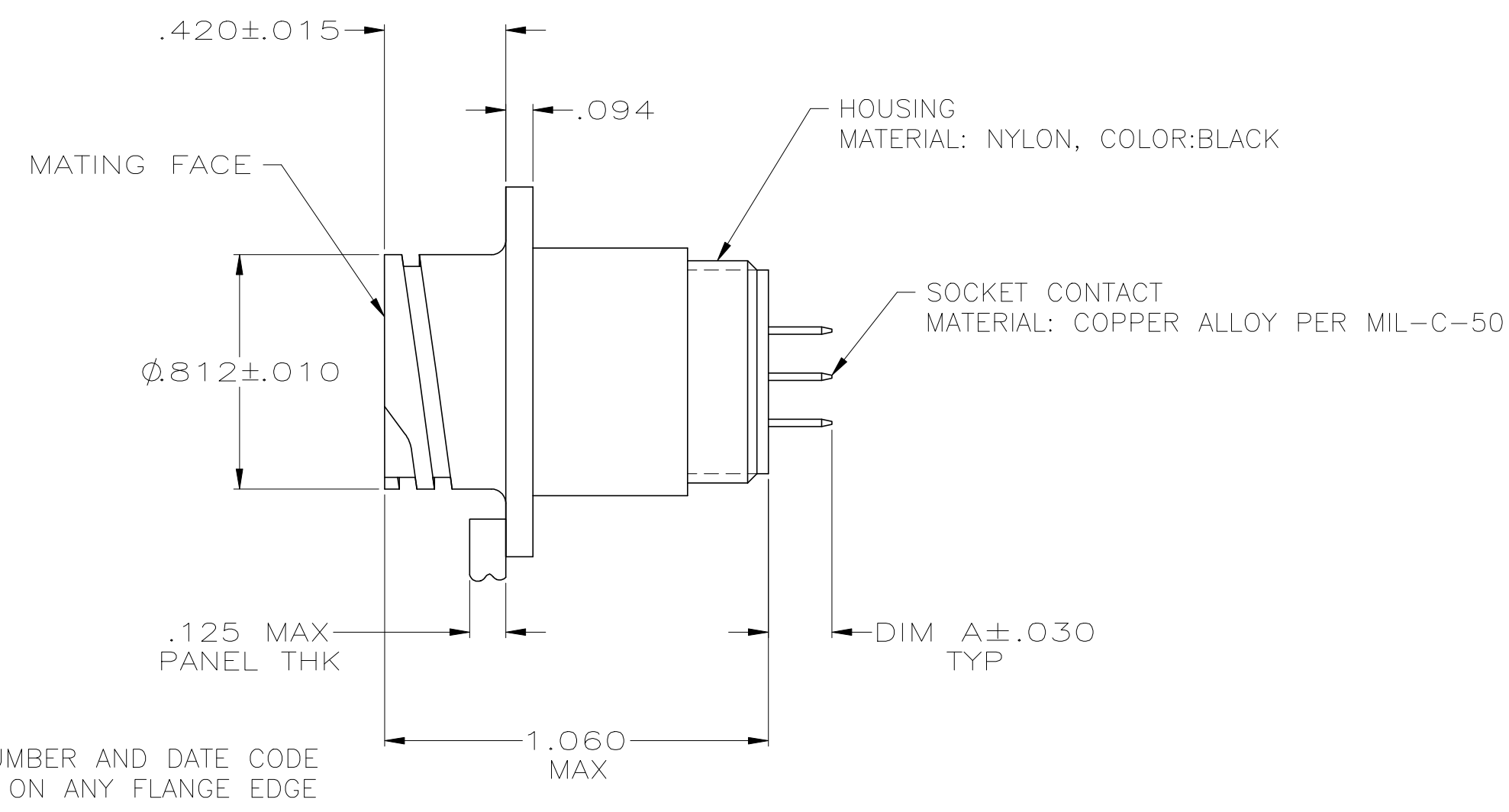
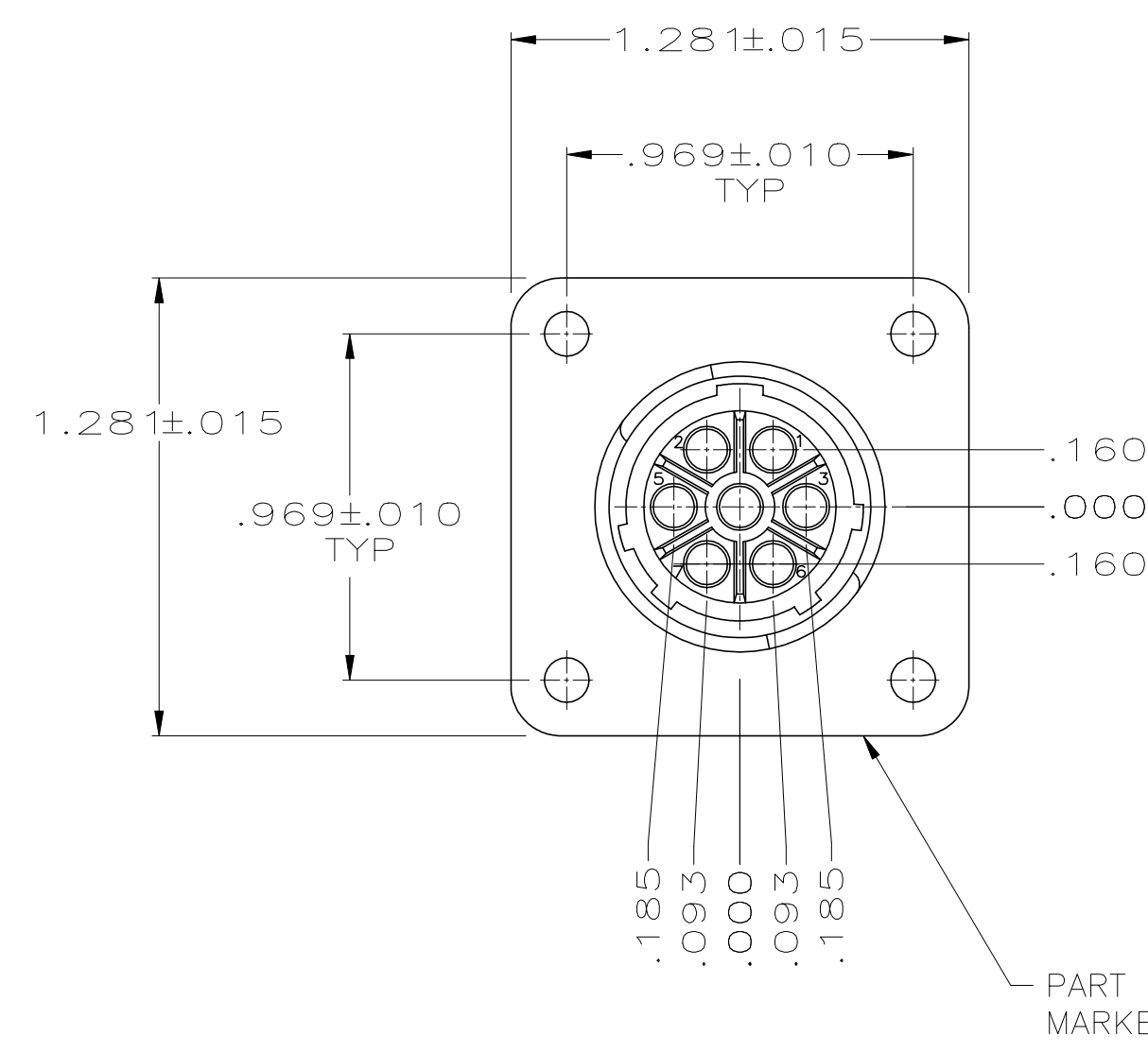


THIS DRAWING IS UNPUBLISHED. RELEASED FOR PUBLICATION
 © COPYRIGHT - By - ALL RIGHTS RESERVED.

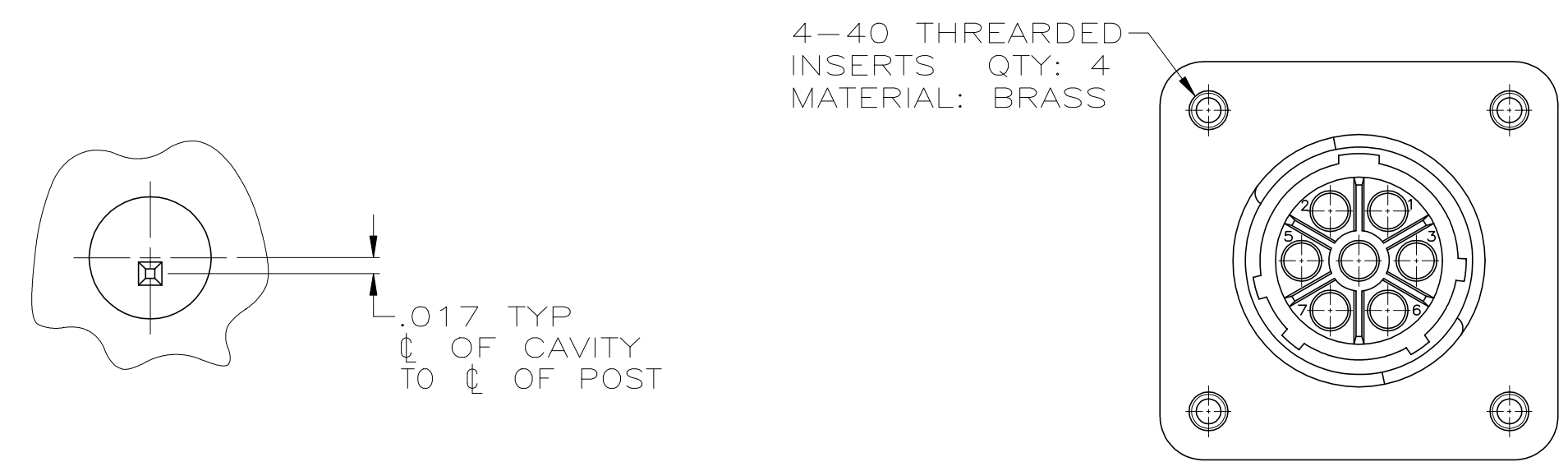
REVISIONS					
P	LTR	DESCRIPTION	DATE	DWN	APVD
	D2	REVISED PER ECO-19-009929	02JUL2019	RS	MZ
	D3	REVISED PER ECO-20-007441	02JUN2020	SM	MZ

- △1 CONTACT BODY: 30 μIN MIN GOLD IN CONTACT AREA, 5 μIN MIN GOLD ON REMAINDER, OVER 30 μIN MIN NICKEL.
CONTACT POST: 100 μIN MIN TIN OVER 50 μIN MIN NICKEL.
- △2 CONTACT BODY: 30 μIN MIN GOLD IN CONTACT AREA, OVER 30 μIN MIN NICKEL.
CONTACT POST: 100 μIN MIN TIN-LEADED, OVER 50 μIN MIN NICKEL.



PART NUMBER AND DATE CODE MARKED ON ANY FLANGE EDGE

.220	1986377-3
.557	1986377-2
.220	1986377-1
DIM A	PART NUMBER



4-40 THREADED INSERTS QTY: 4 MATERIAL: BRASS

POST ARRANGEMENT ON REAR FACE SCALE 6:1

1986377-2

THIS DRAWING IS A CONTROLLED DOCUMENT.		DWN S. SCHLEGEL 2/27/08		
		CHK S. HEADER 2/27/08		
DIMENSIONS: INCHES		APVD S. HEADER 2/27/08	NAME	
		PRODUCT SPEC		RECEPTACLE ASSY, POSTED, REV SEX, SERIES 1, SIZE 13-7, CPC
0 PLC ± - 1 PLC ± - 2 PLC ± 0.13 [.005] 3 PLC ± - 4 PLC ± - ANGLES ± -		APPLICATION SPEC		
MATERIAL SEE CALLOUTS		WEIGHT		SIZE A2
		CUSTOMER DRAWING		CAGE CODE 00779
		SCALE 2:1		DRAWING NO. 1986377
		SHEET 1 of 1		RESTRICTED TO -
				REV D3

X-ON Electronics

Largest Supplier of Electrical and Electronic Components

Click to view similar products for [Standard Circular Connector](#) category:

Click to view products by [TE Connectivity](#) manufacturer:

Other Similar products are found below :

[5M2530B10P](#) [600259N006](#) [600273N007](#) [6134-336-13149](#) [6134-337-11149](#) [6134-337-2390](#) [6134-341-17149](#) [6280-4SG-516](#) [6280-7SG-3DC](#)
[6290](#) [6291A](#) [66200A-10](#) [680-SMG](#) [681-PMG](#) [CXS3102A14S2P](#) [CXS3102A181S](#) [7251-5SG-300](#) [7271-6SG-300](#) [7282-3PG-300-CH3](#) [75-](#)
[474618-01S](#) [75-474618-04P](#) [75-474618-04S](#) [799539-000](#) [MI8-SE](#) [805-005-07NF11-19PC](#) [805-005-07NF15-7PA](#) [8280-4PG-516](#) [8280-7PG-](#)
[519](#) [8282-5PG-519](#) [836783-1](#) [MP-4102-25P-C](#) [862256-1](#) [864019-2](#) [866857-1](#) [867865-1](#) [PT01SP-14-18P](#) [PT08P-14-5S](#) [PTSF06SE-14-12S](#)
[120-1833-000](#) [QCM019PC2DC012B](#) [1-2069279-1](#) [121583-0217](#) [121667-0020](#) [129591AU](#) [1000B BULK](#) [RD10A16-19-P6CS051/1](#)
[RD10A20-31-P8CS051/1](#) [RD16A14-12-S6CS051/2](#) [1301240290](#) [1301240347](#) [1301860202](#)