

THIS DRAWING IS UNPUBLISHED.

RELEASED FOR PUBLICATION

LOC FT DIST 0

REVISIONS

© COPYRIGHT - By - ALL RIGHTS RESERVED.

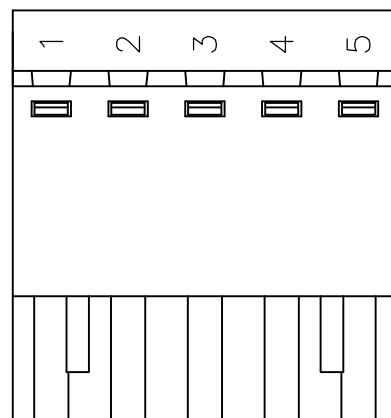
P	LTR	DESCRIPTION	DATE	DWN	APVD
	A2	REVISED PER ECO-11-005027	11MAR11	RK	HMR

MATERIALS:
 HOUSING: PA66, UL94V-0, COLOR: GREEN.
 CONTACT: PHOS BRONZE, TIN PLATED.
 WIRE GUARD: STEEL, ZINC CHROMATE.
 CAGE CLAMP: STEEL, ZINC CHROMATE.
 SCREW: STEEL, ZINC PLATED.

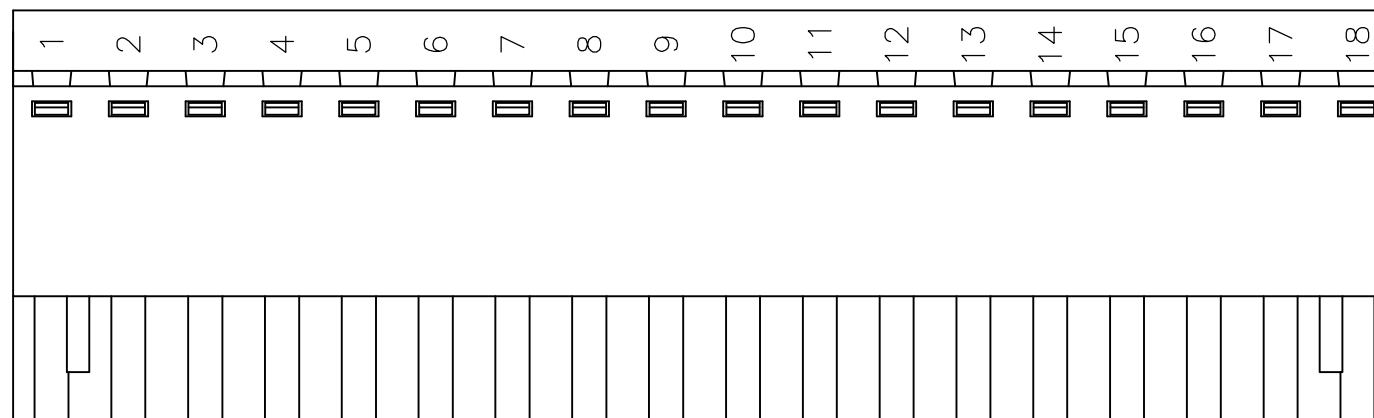
ELECTRICAL:
 VOLTAGE RATING: 300V.
 CURRENT RATING: 16A.
 INSULATION RESISTANCE 2000Mohm/DC500V.
 WITHSTANDING VOLTAGE AC2000V MIN
 WIRE RANGE: 14-24 AWG

MECHANICAL:
 SCREW TORQUE: 7.0 IN-LB
 WIRE STRIP LENGTH: 10mm

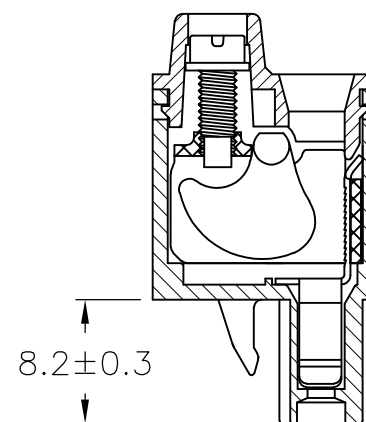
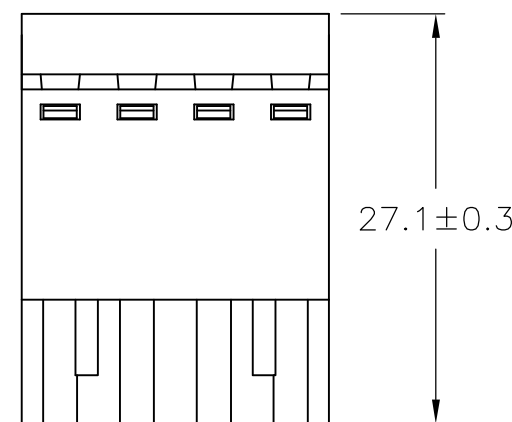
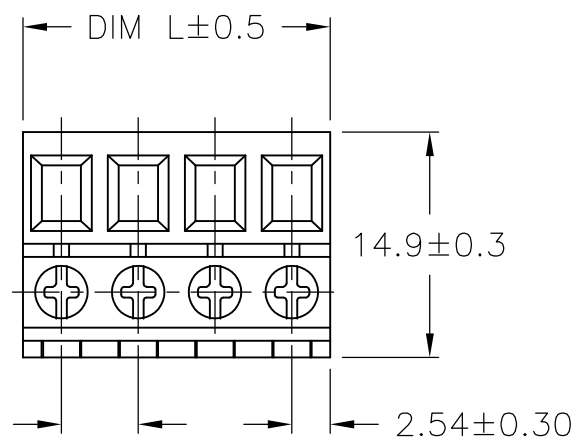
ENVIRONMENTAL:
 WORKING TEMP.: -40°C TO +105°C.



2-1986484-5



2-1986484-6



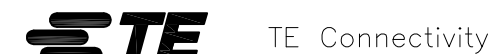
SEE DETAIL	NO OF POS	DIM L	PART NUMBER
1	24	121.92±0.5	2-1986484-4
1	23	116.84±0.5	2-1986484-3
1	22	111.76±0.5	2-1986484-2
1	21	106.68±0.5	2-1986484-1
1	20	101.60±0.5	2-1986484-0
1	19	96.52±0.5	1-1986484-9
1	18	91.44±0.5	2-1986484-6
1	18	91.44±0.5	1-1986484-8
1	17	86.36±0.5	1-1986484-7
1	16	81.28±0.5	1-1986484-6
1	15	76.20±0.5	1-1986484-5
1	14	71.12±0.5	1-1986484-4
1	13	66.04±0.5	1-1986484-3
1	12	60.96±0.5	1-1986484-2
1	11	55.88±0.5	1-1986484-1
1	10	50.80±0.5	1-1986484-0
1	9	45.72±0.5	1986484-9
1	8	40.64±0.5	1986484-8
1	7	35.56±0.5	1986484-7
1	6	30.48±0.5	1986484-6
2	5	25.40±0.5	2-1986484-5
1	5	25.40±0.5	1986484-5
1	4	20.32±0.5	1986484-4
1	3	15.24±0.5	1986484-3
1	2	10.16±0.5	1986484-2
		DIM L	NO OF POS
			PART NUMBER

- 1 PRELIMINARY PART NUMBER
- 2 PART MARKED WITH BLACK PERMANENT MARKING

THIS DRAWING IS A CONTROLLED DOCUMENT.

DIMENSIONS:	TOLERANCES UNLESS OTHERWISE SPECIFIED:
mm	0 PLC ± -
	1 PLC ± 0.2
	2 PLC ± 0.10
	3 PLC ± -
	4 PLC ± -
	ANGLES ± 1°
MATERIAL	FINISH
-	-

DWN	S SCHLEGEL	17NOV2008
CHK	C RICHARD	11/17/08
APVD	C RICHARD	11/17/08
PRODUCT SPEC	-	
APPLICATION SPEC	-	
WEIGHT	-	
CUSTOMER DRAWING		



NAME			
TERMINAL BLOCK, PLUG, 5.08mm PITCH			
SIZE	CAGE CODE	DRAWING NO	RESTRICTED TO
A3	00779	C-1986484	-
SCALE		SHEET	REV
NTS		1 OF 1	A2

X-ON Electronics

Largest Supplier of Electrical and Electronic Components

Click to view similar products for [Pluggable Terminal Blocks](#) category:

Click to view products by [TE Connectivity](#) manufacturer:

Other Similar products are found below :

[57.510.0053](#) [MC 1.5/ 6-ST-3.5 GY AU](#) [734-104](#) [734-302](#) [8-141-P](#) [8426620000](#) [860505](#) [860516](#) [860810](#) [GBPACX-12](#) [93.731.4953.0](#) [PV05-5,08-K](#) [PVP02-5,00](#) [PVP03-3,50](#) [PVP04-3,50](#) [PVS02-5,00](#) [1-1986160-3](#) [1377680000](#) [1531000000](#) [1546228-5](#) [ELFH16150](#) [ELFP03110](#) [ELFP10210](#) [ELFT06250](#) [ELVP03100](#) [1700101](#) [1700410](#) [1700425](#) [1702246](#) [1705229](#) [1710175](#) [1714537](#) [1717806](#) [1719600](#) [1728941](#) [1734692](#) [1734795](#) [1736036](#) [1740194](#) [1740291](#) [1740628](#) [1740990](#) [1746952](#) [1750207](#) [1752441](#) [1752865](#) [1754115](#) [1754144](#) [1756913](#) [1760051](#)