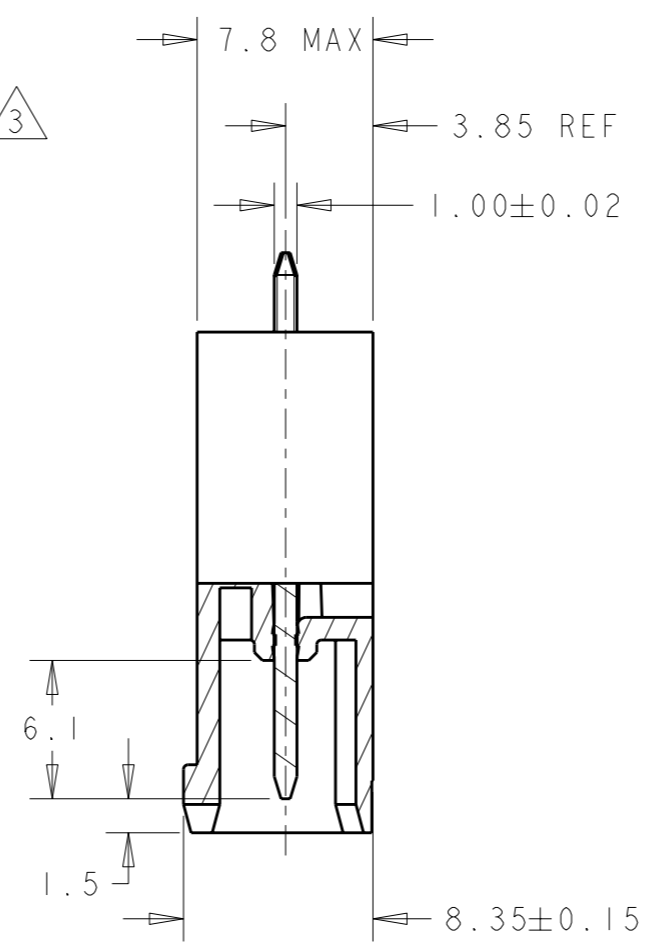
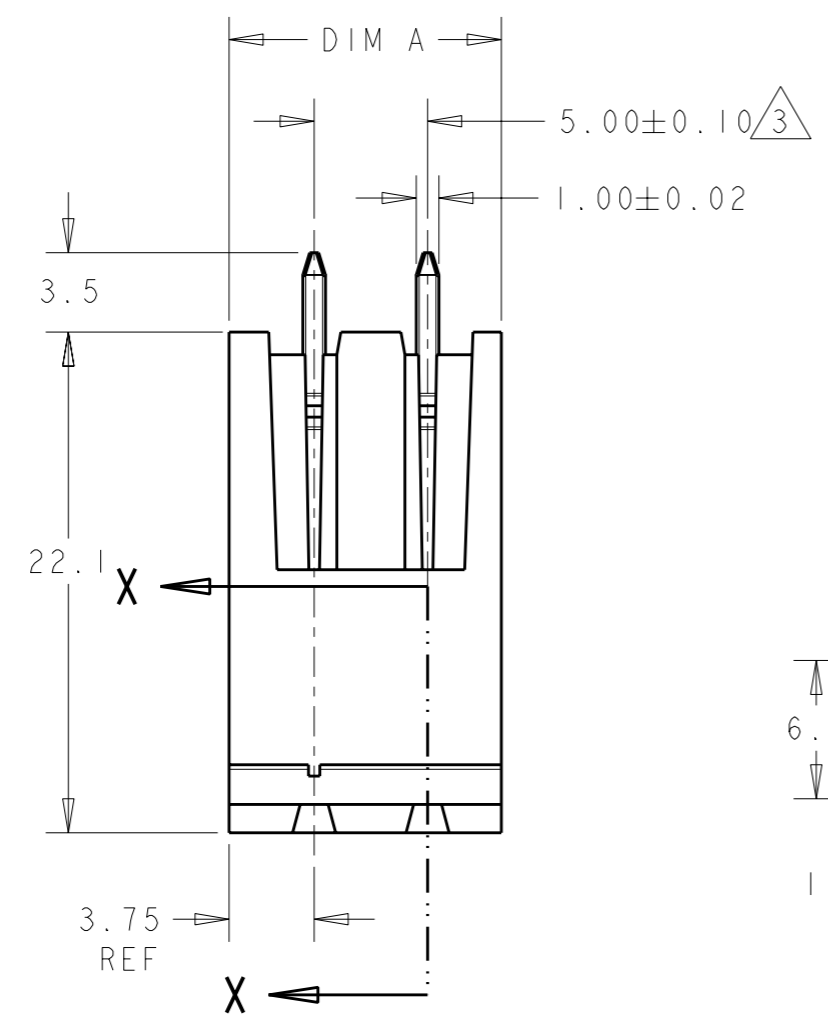
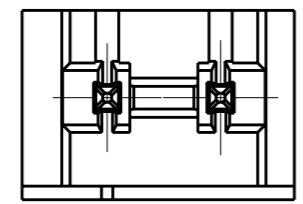


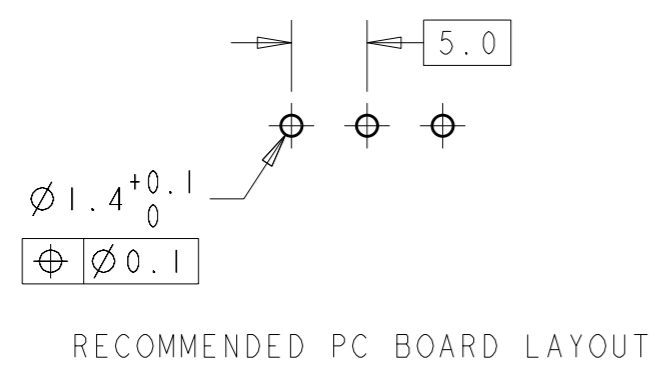
THIS DRAWING IS UNPUBLISHED. RELEASED FOR PUBLICATION 20
 © COPYRIGHT 20 BY TYCO ELECTRONICS CORPORATION. ALL RIGHTS RESERVED.

LOC		DIST		REVISIONS			
P	LTR	DESCRIPTION		DATE	DWN	APVD	
-	-	A1	REVISED PER ECO-09-023020	14OCT2009	HMR	CR	



SECTION X - X

- MATERIALS AND FINISH:
 HOUSING: PA 6-6, UL94V-0, COLOR: GREEN
 TERMINALS: PHOSPHOR BRONZE, TIN PLATED
 6-7µm OVER 2-3µm NICKEL UNDERPLATE.
- SUITABLE FOR 1.6-2.4mm PC BOARD THICKNESS.
- NOT CUMULATIVE TOLERANCE.
- OPERATING TEMPERATURE RANGE: -40°C TO +110°C.
- CURRENT RATING: 300V, 15A
- UL RECOGNIZED TO CANADIAN AND US STANDARDS
 IN FILE E60677.
- 2 POSN HEADER WILL MATE WITH 284046-2
 4 POSN HEADER WILL MATE WITH 284046-4.



22.0	4	1986525-4
12.0	2	1986525-2
DIM A	NO OF POSN	PART NUMBER

THIS DRAWING IS A CONTROLLED DOCUMENT FOR TYCO ELECTRONICS CORPORATION IT IS SUBJECT TO CHANGE AND THE CONTROLLING ENGINEERING ORGANIZATION SHOULD BE CONTACTED FOR THE LATEST REVISION.		DWN S. SCHLEGEL 02MAR2009	Tyco Electronics Harrisburg, PA 17105-3608	
DIMENSIONS: mm		CHK C RICHARD 02MAR2009		
TOLERANCES UNLESS OTHERWISE SPECIFIED:		APVD C RICHARD 02MAR2009	NAME	
0 PLC ±-		PRODUCT SPEC	TERMINAL BLOCK, HIGH RISE, 5.0mm PITCH	
1 PLC ±0.3		APPLICATION SPEC	-	
2 PLC ±0.25		WEIGHT	-	
3 PLC ±-		CUSTOMER DRAWING	SIZE A3	CAGE CODE 00779
4 PLC ±-			DRAWING NO	1986525
ANGLES ±-			RESTRICTED TO	-
FINISH -			SCALE 3:1	SHEET 1 OF 1

X-ON Electronics

Largest Supplier of Electrical and Electronic Components

Click to view similar products for [Fixed Terminal Blocks](#) category:

Click to view products by [TE Connectivity](#) manufacturer:

Other Similar products are found below :

[MBE-1512](#) [MBE-154](#) [MBE-156](#) [MBES-153](#) [MBES-156](#) [MH-2512](#) [MHE-132](#) [MHE-163](#) [MI-254 \(35\)](#) [MI-272](#) [880507](#) [MPT-275](#)
[15602-04-08-21](#) [BA311TU](#) [BA411SU](#) [MV-152](#) [MV-252-D](#) [MV-253/NCNOC](#) [MV-254-D](#) [MV-255](#) [MV-462](#) [MV-493](#) [MVE-252](#) [MVE-253](#)
[MVE-273](#) [MVEB-153](#) [1700096](#) [1705142](#) [1712417](#) [1713020](#) [1713088](#) [1745195](#) [1760594](#) [1776118-2](#) [1790852](#) [1-796689-8](#) [1-796692-6](#)
[1800001](#) [1800114](#) [1995279](#) [20020314-C121B01LF](#) [CB2-12](#) [KP03215000J0G](#) [KP04215000J0G](#) [S451](#) [282802-2](#) [29.007](#) [29.116](#) [30.103](#)
[30.106](#)