

THIS DRAWING IS UNPUBLISHED.

RELEASED FOR PUBLICATION

ALL RIGHTS RESERVED.

LOC FT DIST 0

REVISIONS

P	LTR	DESCRIPTION	DATE	DWN	APVD
	A2	PCB LAYOUT ADDED	24AUG2015	SS	PS

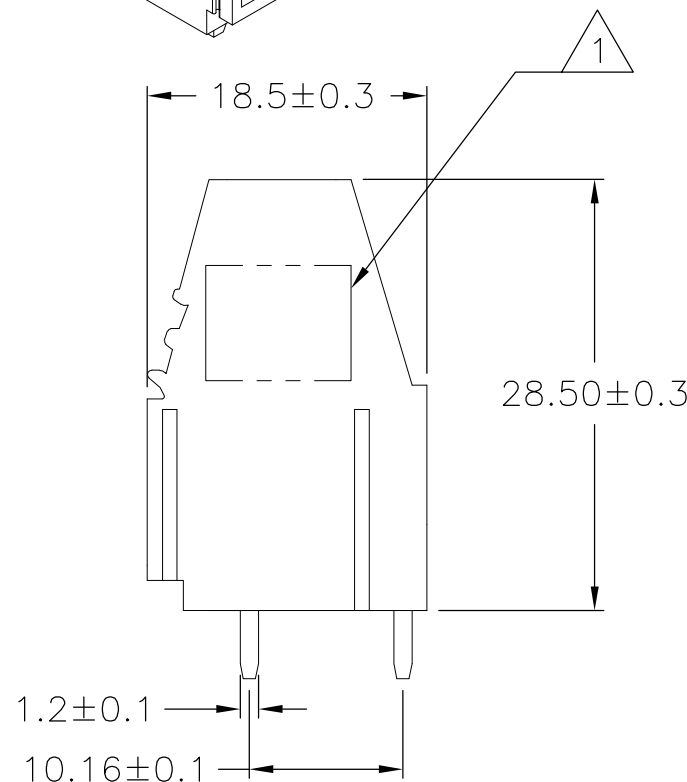
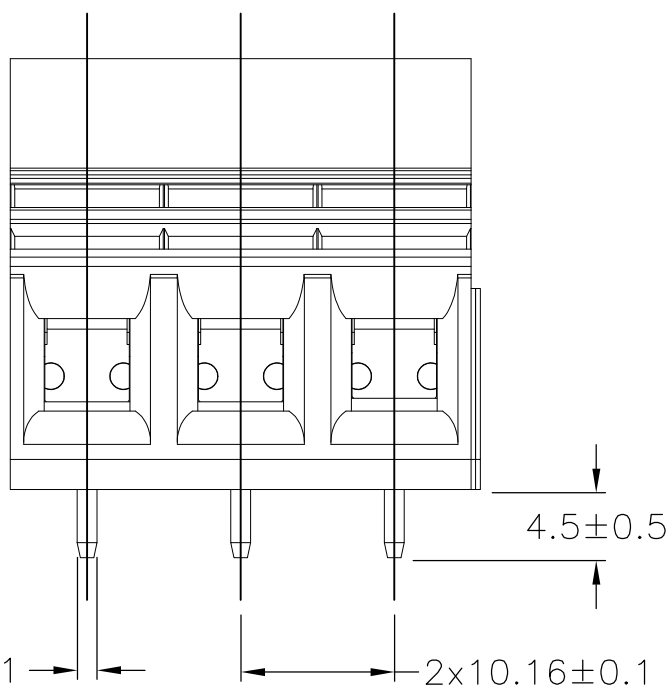
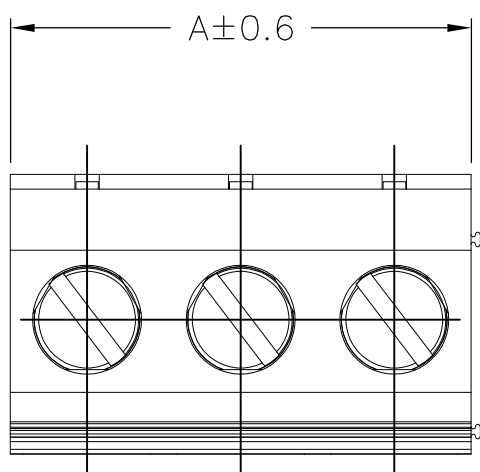
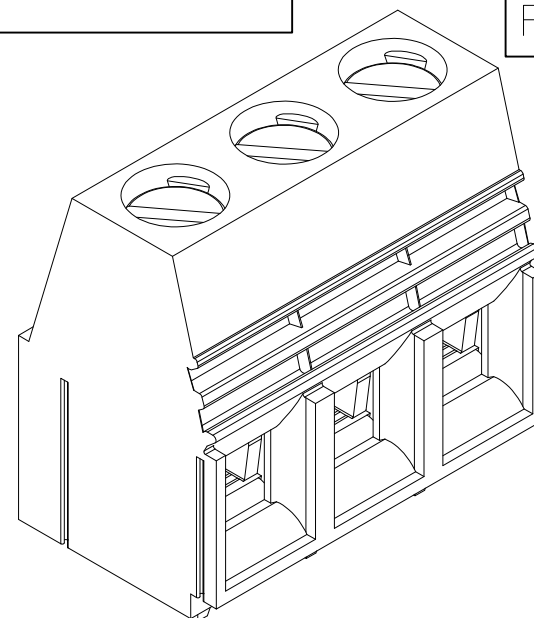
MATERIAL:
 HOUSING: PA66, UL94V-0,
 COLOR: SEE TABLE
 PIN: BRASS, TIN PLATED
 WIRE GUARD: BRASS, NICKEL PLATED
 SCREWS: M4, STEEL, ZINC PLATED

ELECTRICAL:
 VOLTAGE RATING: 300V
 CURRENT RATING: 65A
 INSULATION RESISTANCE: 2000Mohm/500V
 WITHSTANDING VOLTAGE: AC2000V/1 MIN
 WIRE RANGE: 26-6 AWG

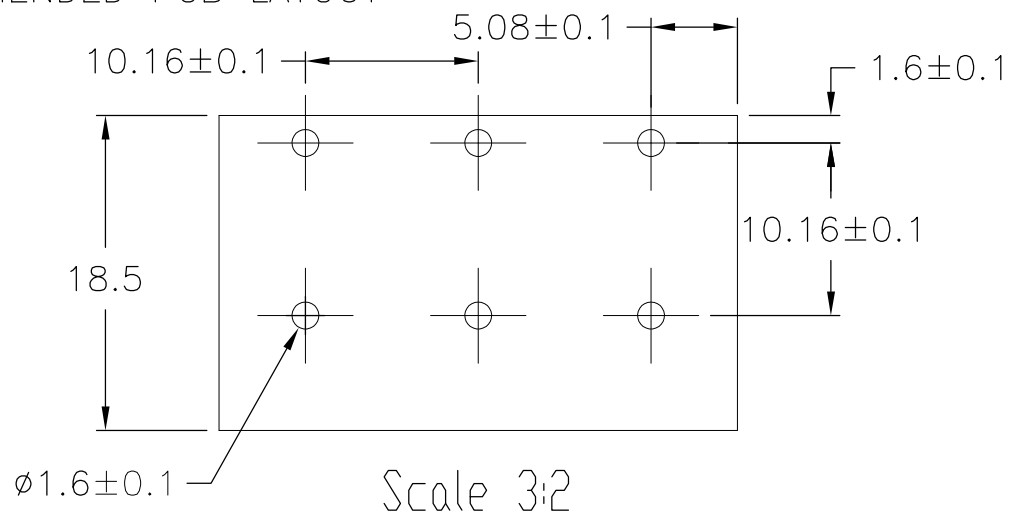
MECHANICAL:
 WORKING TEMP.: -40°C TO +105°C
 MAX SOLDERING: +250°C FOR 5 SEC.
 TIGHTENING TORQUE: 20.5 IN-LB

1 TE LOGO AND COUNTRY OF ORIGIN AND T CODE, LOCATED IN APPROXIMATE AREA SHOWN.

2 RECOMMENDED PCB MOUNTING HOLE DIA 1.6



RECOMMENDED PCB LAYOUT



COLOR	DIM A	NO OF POS	PART NUMBER
BLACK	30.48	3	1-1986660-3
BLACK	20.32	2	1-1986660-2
GREEN	30.48	3	1986660-3
GREEN	20.32	2	1986660-2

THIS DRAWING IS A CONTROLLED DOCUMENT.		DWN JR RUTH 27AUG10	STE TE Connectivity	
DIMENSIONS: mm		CHK CATHY RICHARD 27AUG10		
TOLERANCES UNLESS OTHERWISE SPECIFIED:		APVD CATHY RICHARD 27AUG10	NAME	
0 PLC ± -		PRODUCT SPEC	TERMINAL BLOCK, POWER CONNECTOR	
1 PLC ± 0.3		APPLICATION SPEC	10.16 PITCH	
2 PLC ± 0.25		WEIGHT -	SIZE A3	CAGE CODE 00779
3 PLC ± -		CUSTOMER DRAWING	DRAWING NO C-1986660	RESTRICTED TO -
4 PLC ± -			SCALE 2:1	SHEET 1 OF 1
ANGLES ± ± -				REV A2
FINISH -				

X-ON Electronics

Largest Supplier of Electrical and Electronic Components

Click to view similar products for [Fixed Terminal Blocks](#) category:

Click to view products by [TE Connectivity](#) manufacturer:

Other Similar products are found below :

[MBE-1512](#) [MBE-154](#) [MBE-156](#) [MBES-153](#) [MBES-156](#) [MH-2512](#) [MHE-132](#) [MHE-163](#) [MI-254 \(35\)](#) [MI-272](#) [880507](#) [MPT-275](#)
[15602-04-08-21](#) [ELM023100](#) [BA311TU](#) [BA411SU](#) [MV-152](#) [MV-252-D](#) [MV-253/NCNOC](#) [MV-254-D](#) [MV-255](#) [MV-462](#) [MV-493](#) [MVE-](#)
[252](#) [MVE-253](#) [MVE-273](#) [MVEB-153](#) [1700096](#) [1705142](#) [1712417](#) [1713020](#) [1713088](#) [1745195](#) [1760594](#) [1776118-2](#) [1790852](#) [1-796689-8](#)
[1-796692-6](#) [1800001](#) [1800114](#) [1995279](#) [20020314-C121B01LF](#) [CB2-12](#) [KP03215000J0G](#) [KP04215000J0G](#) [S451](#) [282802-2](#) [29.007](#) [29.116](#)
[30.103](#)