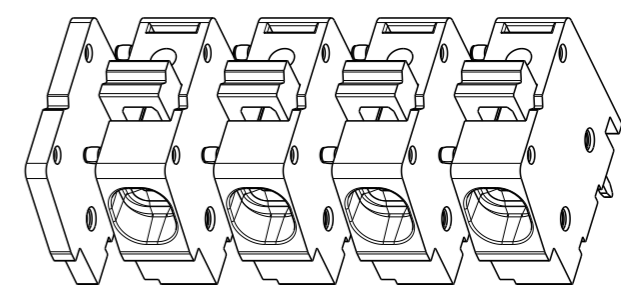
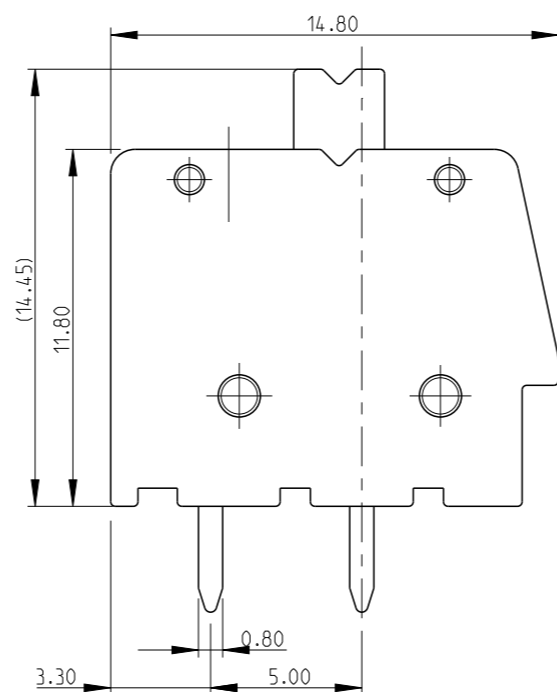
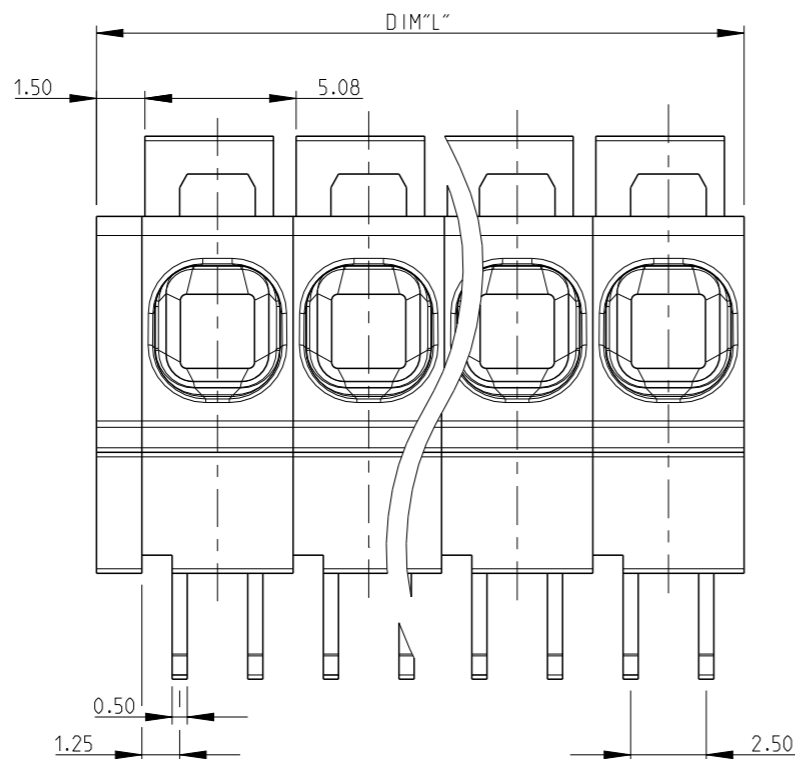
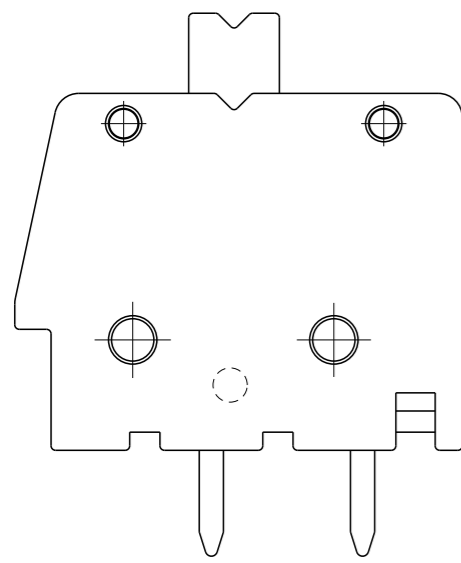
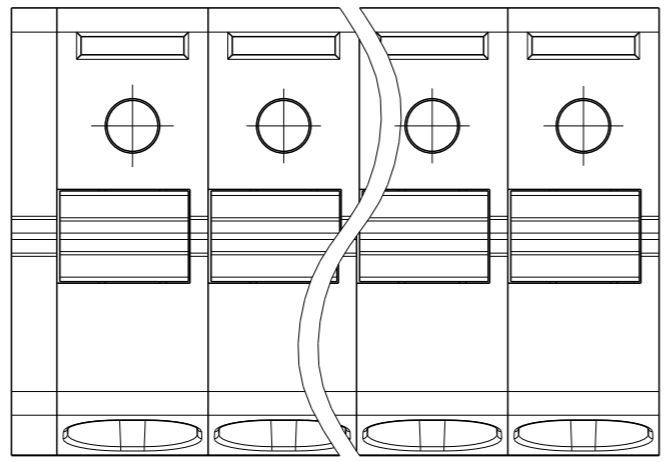


P	LTR	DESCRIPTION	DATE	DWN	APVD
	B	PLATING INFORMATION ADDED	16JUL2019	RK	PS



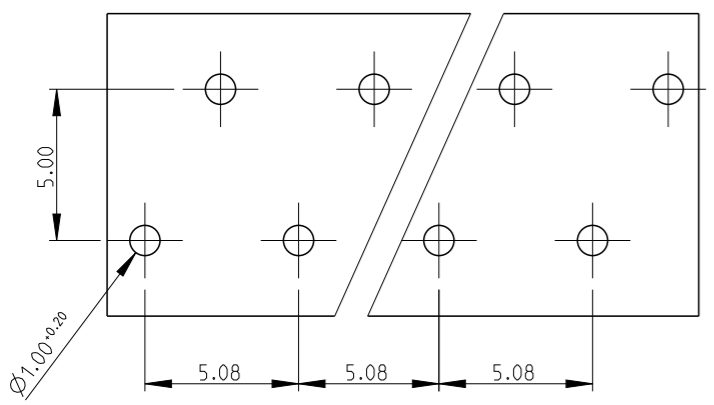
SCALE 2:1
-4 AS SHOWN




- MATERIAL:**
 HOUSING - PA66 , UL94 V0
 CLAMPING SPRING - STAINLESS STEEL
 PIN - COPPER ALLOY - BRIGHT TIN PLATED
- MECHANICAL:**
 MIN. PC BOARD HOLES DIAMETER : 1.2 mm
 MAX. PC BOARD THICKNESS : 2.4 mm
 WIRE STRIPPING LENGTH : 11.5 mm
- ELECTRICAL:**
 WIRE RANGE : 12-30 AWG
 RATED VOLTAGE : 300V
 RATED CURRENT : 16A
 CONTACT RESISTANCE : <15 m Ohm
 INSULATION RESISTANCE : >1000 M Ohm (500V DC)
- OPERATING TEMPERATURE RANGE : -40°C TO +105°C**

128.50	25	2-1986712-5
123.42	24	2-1986712-4
118.34	23	2-1986712-3
113.26	22	2-1986712-2
108.18	21	2-1986712-1
103.10	20	2-1986712-0
98.02	19	1-1986712-9
92.94	18	1-1986712-8
87.86	17	1-1986712-7
82.78	16	1-1986712-6
77.70	15	1-1986712-5
72.62	14	1-1986712-4
67.54	13	1-1986712-3
62.46	12	1-1986712-2
57.38	11	1-1986712-1
52.30	10	1-1986712-0
47.22	9	1986712-9
42.14	8	1986712-8
37.06	7	1986712-7
31.98	6	1986712-6
26.90	5	1986712-5
21.82	4	1986712-4
16.74	3	1986712-3
11.66	2	1986712-2
DIM "L"	POLE	PART NO

PCB LAYOUT



THIS DRAWING IS A CONTROLLED DOCUMENT.

DIMENSIONS:	TOLERANCES UNLESS OTHERWISE SPECIFIED:	DWN 08AUG2011 RAGHAVENDRA	 TE Connectivity	
mm		CHK 08AUG2011 SARVER, MICHAEL		
		APVD 08AUG2011 SARVER, MICHAEL		
		PRODUCT SPEC		
	0 PLC ±0.5	NAME	SPRING TYPE, SIDE WIRE ENTRY TERMINAL SIDE STACKABLE STRAIGHT 02 - 25 POLES PITCH 5.08mm	
	1 PLC ±0.25	SIZE		A3
	2 PLC ±0.25	APPLICATION SPEC	CAGE CODE	00779
	3 PLC ±	WEIGHT	DRAWING NO	C-1986712
	4 PLC ±		RESTRICTED TO	-
	ANGLES ±1°		SCALE	2:1
MATERIAL	FINISH	CUSTOMER DRAWING	SHEET	1 OF 1
			REV	B

X-ON Electronics

Largest Supplier of Electrical and Electronic Components

Click to view similar products for [Fixed Terminal Blocks](#) category:

Click to view products by [TE Connectivity](#) manufacturer:

Other Similar products are found below :

[MBE-1512](#) [MBE-154](#) [MBE-156](#) [MBES-153](#) [MBES-156](#) [MH-2512](#) [MHE-132](#) [MHE-163](#) [MI-254 \(35\)](#) [MI-272](#) [880507](#) [MPT-275](#)
[15602-04-08-21](#) [BA311TU](#) [BA411SU](#) [MV-152](#) [MV-252-D](#) [MV-253/NCNOC](#) [MV-254-D](#) [MV-255](#) [MV-462](#) [MV-493](#) [MVE-252](#) [MVE-253](#)
[MVE-273](#) [MVEB-153](#) [1700096](#) [1705142](#) [1712417](#) [1713020](#) [1713088](#) [1745195](#) [1760594](#) [1776118-2](#) [1790852](#) [1-796689-8](#) [1-796692-6](#)
[1800001](#) [1800114](#) [1995279](#) [20020314-C121B01LF](#) [20020316-G041B01LF](#) [CB2-12](#) [KP03215000J0G](#) [KP04215000J0G](#) [S451](#) [282802-2](#)
[29.007](#) [29.116](#) [30.103](#)