

THIS DRAWING IS UNPUBLISHED.

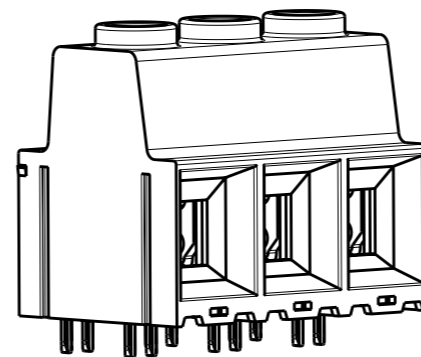
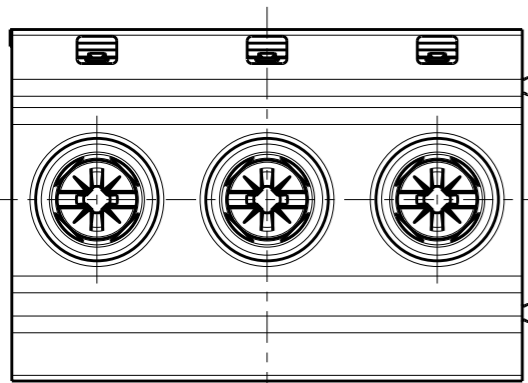
RELEASED FOR PUBLICATION

2011

© COPYRIGHT 2011

ALL RIGHTS RESERVED.

LOC	DIST	REVISIONS				
P	LTR	DESCRIPTION	DATE	DWN	APVD	
AI	-	B	REVISED PER ECO-12-005569	22MAR2012	HRY	MS

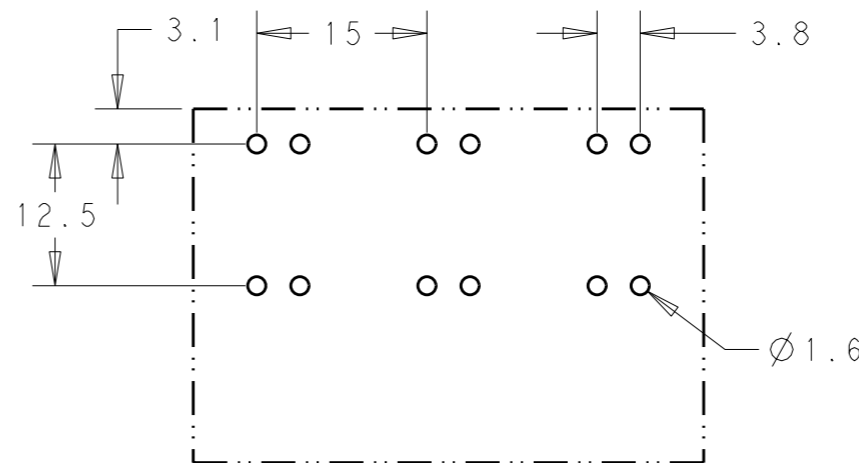
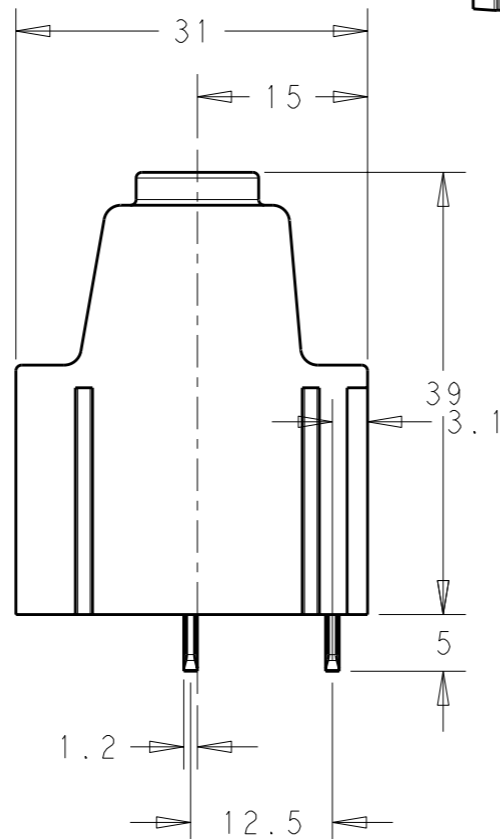
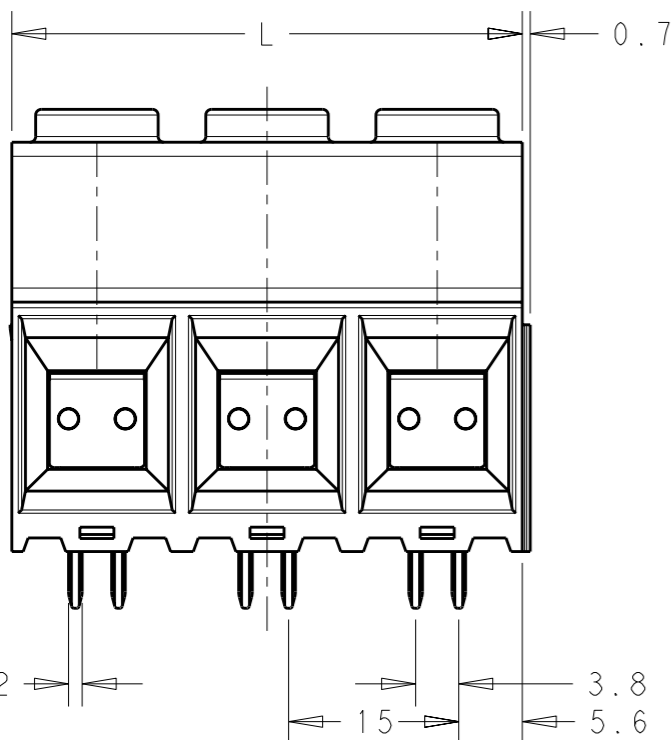


SCALE 1:1  
-3 AS SHOWN

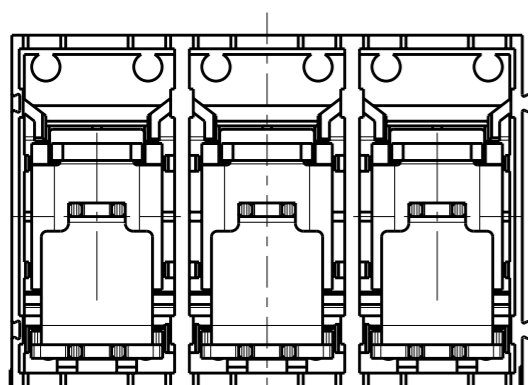
MATERIALS:  
 HOUSING-POLYAMIDE, COLOR-GREEN  
 SCREW- M5,NICKEL PLATED STEEL.  
 CLAMP- TIN PLATED STEEL.  
 PIN-TIN OVER NICKEL PLATED COPPER ALLOY.


MECHANICAL:  
 PCB THICKNESS-2.40 MAX  
 PCB HOLE DIAMETER-1.60 MIN  
 STRIP LENGTH-18 MM  
 OPERATING TEMPERATURE--40°C TO +110°C  
 TORQUE-2.1~2.5 Nm

ELECTRICAL:  
 WIRE RANGE- 20 TO 1 AWG  
 VOLTAGE RATING- 600 VOLTS  
 CURRENT RATING-130 AMP FIELD WIRING; 135 AMP FACTORY WIRING  
 CONTACT RESISTANCE-15 MILLOHM MAX  
 INSULATION RESISTANCE-10<sup>9</sup> OHMS MIN (500V DC)



180.00	12	1-1986713-2
165.00	11	1-1986713-1
150.00	10	1-1986713-0
135.00	9	1986713-9
120.00	8	1986713-8
105.00	7	1986713-7
90.00	6	1986713-6
75.00	5	1986713-5
60.00	4	1986713-4
45.00	3	1986713-3
30.00	2	1986713-2
DIM L	POLE	PART NUMBER



THIS DRAWING IS A CONTROLLED DOCUMENT.		DWN 12SEP2011 RAGHAVENDRA	 TE Connectivity		
DIMENSIONS: mm		CHK 12SEP2011 SARVER MICHAEL			
TOLERANCES UNLESS OTHERWISE SPECIFIED:		APVD 12SEP2011 SARVER MICHAEL	NAME POWER TERMINAL BLOCK, SOLDERABLE UP TO 275DEG C DOUBLE PIN MODULAR 02 - 12 POLES PITCH 15.00mm		
0 PLC ±- 1 PLC ±0.50 2 PLC ±0.25 3 PLC ±- 4 PLC ±- ANGLES ±1°		PRODUCT SPEC -	RESTRICTED TO -		
MATERIAL -		FINISH -	SIZE A3	CAGE CODE 00779	DRAWING NO C-1986713
		CUSTOMER DRAWING	SCALE 1:1	SHEET 1	OF 1
				REV B	

## X-ON Electronics

Largest Supplier of Electrical and Electronic Components

*Click to view similar products for [Fixed Terminal Blocks](#) category:*

*Click to view products by [TE Connectivity](#) manufacturer:*

Other Similar products are found below :

[MBE-1512](#) [MBE-154](#) [MBE-156](#) [MBES-153](#) [MBES-156](#) [MH-2512](#) [MHE-132](#) [MHE-163](#) [MI-254 \(35\)](#) [MI-272](#) [880507](#) [MPT-275](#)  
[15602-04-08-21](#) [ELM023100](#) [BA311TU](#) [BA411SU](#) [MV-152](#) [MV-252-D](#) [MV-253/NCNOC](#) [MV-254-D](#) [MV-255](#) [MV-462](#) [MV-493](#) [MVE-](#)  
[252](#) [MVE-253](#) [MVE-273](#) [MVEB-153](#) [1700096](#) [1705142](#) [1712417](#) [1713020](#) [1713088](#) [1745195](#) [1760594](#) [1776118-2](#) [1790852](#) [1-796689-8](#)  
[1-796692-6](#) [1800001](#) [1800114](#) [1995279](#) [20020314-C121B01LF](#) [CB2-12](#) [KP03215000J0G](#) [KP04215000J0G](#) [S451](#) [282802-2](#) [29.007](#) [29.116](#)  
[30.103](#)