

4

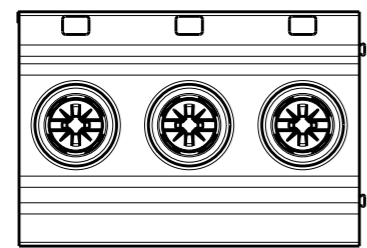
3

2

1

THIS DRAWING IS UNPUBLISHED. RELEASED FOR PUBLICATION 2011  
 © COPYRIGHT 2011 ALL RIGHTS RESERVED.

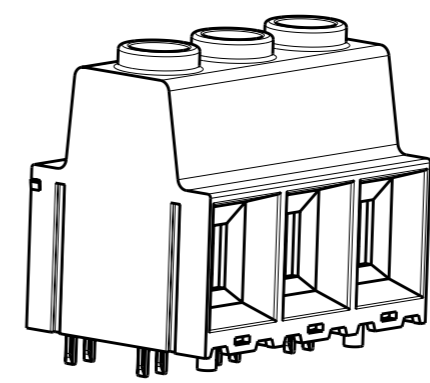
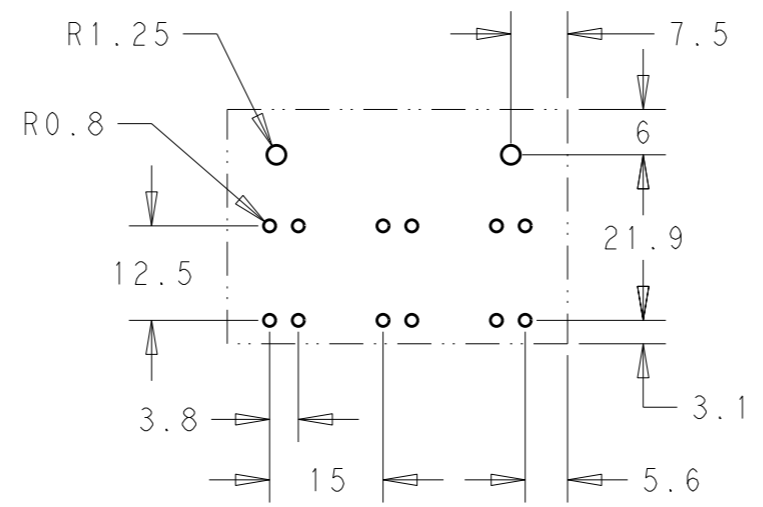
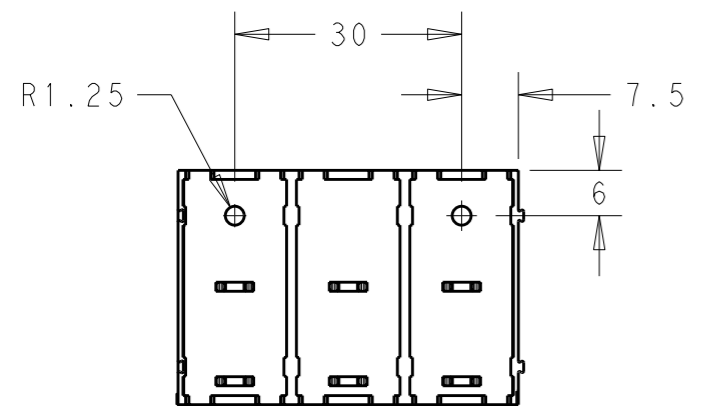
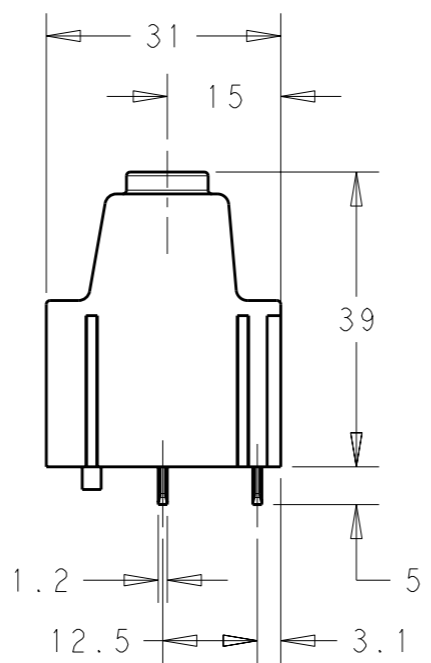
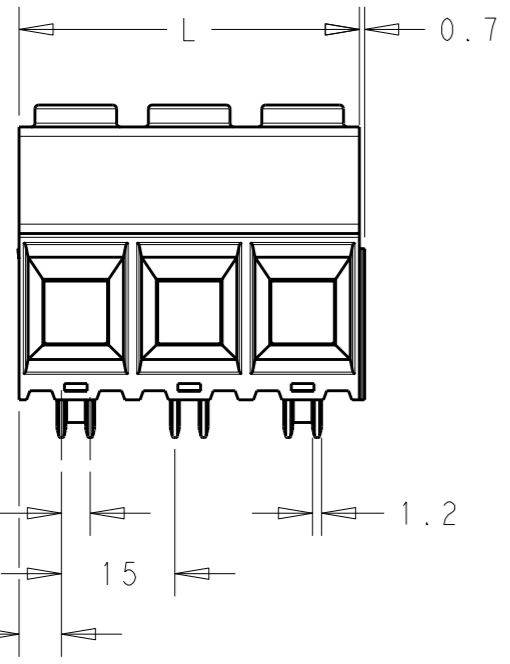
LOC	DIST	REVISIONS					
		P	LTR	DESCRIPTION	DATE	DWN	APVD
AI	-		B	REVISED PER ECO-12-005569	22MAR2012	HRY	MS



**MATERIALS:**  
 HOUSING-POLYAMIDE, COLOR-GREEN  
 SCREW- M5,NICKEL PLATED STEEL.  
 CLAMP- TIN PLATED STEEL.  
 PIN-TIN OVER NICKEL PLATED COPPER ALLOY.

**MECHANICAL:**  
 PCB THICKNESS-2.40 MAX  
 PCB HOLE DIAMETER-1.60 MIN  
 STRIP LENGTH-18 MM  
 OPERATING TEMPERATURE--40°C TO +110°C  
 TORQUE-2.1~2.5 Nm.

**ELECTRICAL:**  
 WIRE RANGE- 20 TO 1 AWG  
 VOLTAGE RATING- 600 VOLTS  
 CURRENT RATING-130 AMP FIELD WIRING; 135 AMP FACTORY WIRING  
 CONTACT RESISTANCE-15 MILLOHM MAX  
 INSULATION RESISTANCE-10<sup>9</sup> OHMS MIN (500V DC)



SCALE 1:1  
 -3 AS SHOWN

180.00	12	1-1986714-2
165.00	11	1-1986714-1
150.00	10	1-1986714-0
135.00	9	1986714-9
120.00	8	1986714-8
105.00	7	1986714-7
90.00	6	1986714-6
75.00	5	1986714-5
60.00	4	1986714-4
45.00	3	1986714-3
30.00	2	1986714-2
DIM L	POLE	PART NUMBER

THIS DRAWING IS A CONTROLLED DOCUMENT.		DWN 05SEP2011 RAGHAVENDRA		<b>TE Connectivity</b>	
DIMENSIONS: mm		CHK 05SEP2011 SARVER MICHAEL			
TOLERANCES UNLESS OTHERWISE SPECIFIED:		APVD 05SEP2011 SARVER MICHAEL		NAME POWER TERMINAL BLOCK, SOLDERABLE UP TO 275DEG C DOUBLE PIN MODULAR 02 - 12 POLES PITCH 15.00mm WITH PEG	
0 PLC ± 1 PLC ±0.40 2 PLC ±0.20 3 PLC ± 4 PLC ± ANGLES ±1°		PRODUCT SPEC -		SIZE A300779 C-1986714	
MATERIAL -		FINISH -		RESTRICTED TO -	
		WEIGHT -		SCALE 1:1 SHEET 1 OF 1 REV B	
		CUSTOMER DRAWING			

## X-ON Electronics

Largest Supplier of Electrical and Electronic Components

*Click to view similar products for [Fixed Terminal Blocks](#) category:*

*Click to view products by [TE Connectivity](#) manufacturer:*

Other Similar products are found below :

[MBE-1512](#) [MBE-154](#) [MBE-156](#) [MBES-153](#) [MBES-156](#) [MH-2512](#) [MHE-132](#) [MHE-163](#) [MI-254 \(35\)](#) [MI-272](#) [880507](#) [MPT-275](#)  
[15602-04-08-21](#) [BA311TU](#) [BA411SU](#) [MV-152](#) [MV-252-D](#) [MV-253/NCNOC](#) [MV-254-D](#) [MV-255](#) [MV-462](#) [MV-493](#) [MVE-252](#) [MVE-253](#)  
[MVE-273](#) [MVEB-153](#) [1700096](#) [1705142](#) [1712417](#) [1713020](#) [1713088](#) [1745195](#) [1760594](#) [1776118-2](#) [1790852](#) [1-796689-8](#) [1-796692-6](#)  
[1800001](#) [1800114](#) [1995279](#) [20020314-C121B01LF](#) [20020316-G041B01LF](#) [CB2-12](#) [KP03215000J0G](#) [KP04215000J0G](#) [S451](#) [282802-2](#)  
[29.007](#) [29.116](#) [30.103](#)