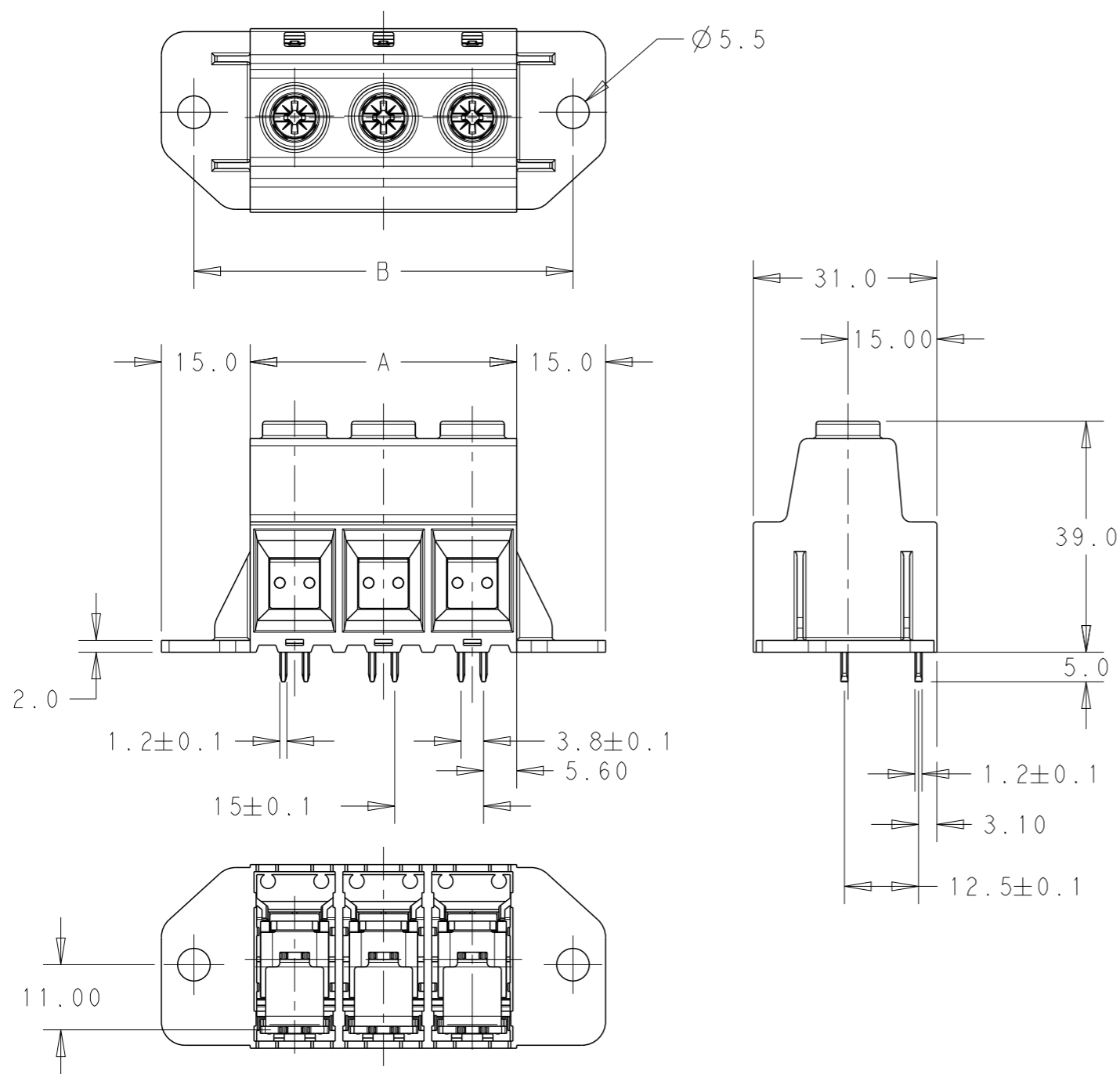
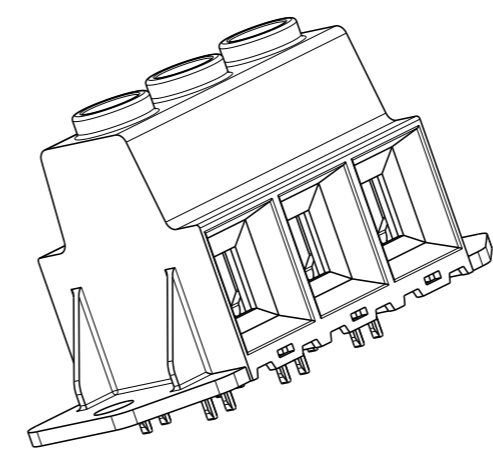


THIS DRAWING IS UNPUBLISHED. RELEASED FOR PUBLICATION 2011
 © COPYRIGHT 2011 ALL RIGHTS RESERVED.

LOC	DIST	REVISIONS					
		P	LTR	DESCRIPTION	DATE	DWN	APVD
AI	-		B1	DIM "B" ADDED	05DEC2014	PS	JK



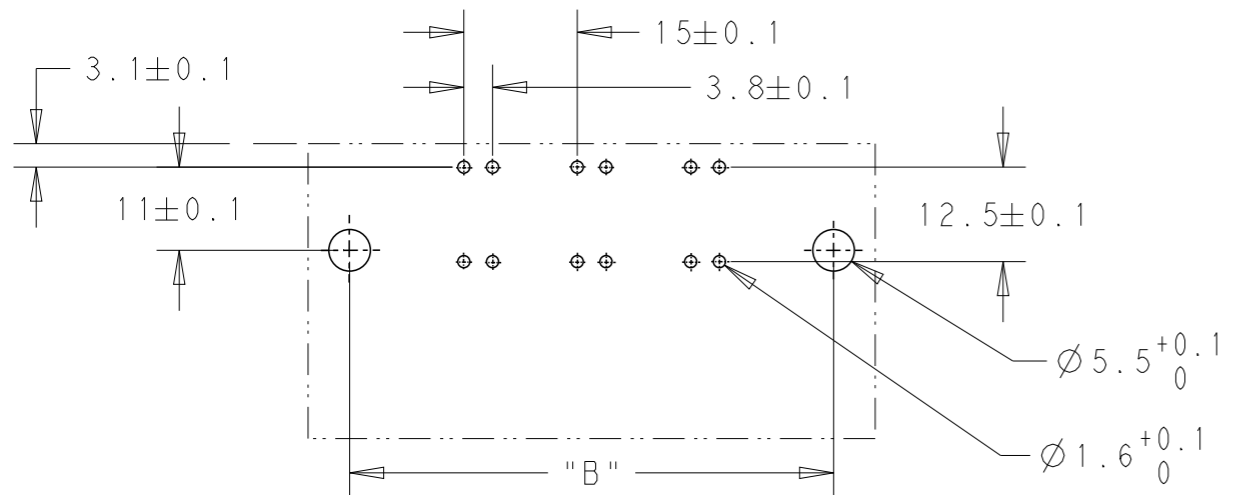
- NOTES:
- MATERIALS:**
 HOUSING-PA66, UL94 VO, COLOR-GREEN
 SCREW- M5, STEEL, NICKEL PLATED
 CLAMP- STEEL, NICKEL PLATED
 CONTACT PIN- BRASS, TIN PLATED
 - MECHANICAL:**
 PCB THICKNESS-2.40 MAX
 PCB HOLE DIAMETER-1.60 MIN
 STRIP LENGTH-18 mm
 OPERATING TEMPERATURE:-40°C TO +110°C
 RECOMMENDED/HIGHEST TIGHTENING TORQUE-2.1/2.5 Nm.
 - ELECTRICAL:**
 WIRE RANGE- 20 TO 1 AWG
 VOLTAGE RATING- 600 VOLTS
 CURRENT RATING-130 A FIELD WIRING;135A FACTORY WIRING
 CONTACT RESISTANCE-15 mOHM MAX
 INSULATION RESISTANCE-10⁹ OHMS MIN (500V DC)




SCALE 1:1
 -3 AS SHOWN

199.00	180.00	12	1-1986715-2
184.00	165.00	11	1-1986715-1
169.00	150.00	10	1-1986715-0
154.00	135.00	9	1986715-9
139.00	120.00	8	1986715-8
124.00	105.00	7	1986715-7
109.00	90.00	6	1986715-6
94.00	75.00	5	1986715-5
79.00	60.00	4	1986715-4
64.00	45.00	3	1986715-3
49.00	30.00	2	1986715-2
DIM "B"	DIM "A"	POLE	PART NUMBER

RECOMMENDED PCB LAYOUT



THIS DRAWING IS A CONTROLLED DOCUMENT.		DWN 13SEP2011 RAGHAVENDRA	 TE Connectivity	
DIMENSIONS: mm		CHK 13SEP2011 SARVER MICHAEL		
TOLERANCES UNLESS OTHERWISE SPECIFIED:		APVD 13SEP2011 SARVER MICHAEL	NAME POWER TERMINAL BLOCK, DOUBLE PIN MOUNTING FLANGES; PITCH 15.00 mm	
0 PLC ±- 1 PLC ±0.25 2 PLC ±0.20 3 PLC ±- 4 PLC ±- ANGLES ±1°		PRODUCT SPEC -	SIZE A300779 C-1986715	
MATERIAL -		FINISH -	RESTRICTED TO -	
		WEIGHT -	SCALE 1:1 SHEET 1 OF 1 REV B1	
		Customer Drawing		

X-ON Electronics

Largest Supplier of Electrical and Electronic Components

Click to view similar products for [Fixed Terminal Blocks](#) category:

Click to view products by [TE Connectivity](#) manufacturer:

Other Similar products are found below :

[MBE-1512](#) [MBE-154](#) [MBE-156](#) [MBES-153](#) [MBES-156](#) [MH-2512](#) [MHE-132](#) [MHE-163](#) [MI-254 \(35\)](#) [MI-272](#) [880507](#) [MPT-275](#)
[15602-04-08-21](#) [ELM023100](#) [BA311TU](#) [BA411SU](#) [MV-152](#) [MV-252-D](#) [MV-253/NCNOC](#) [MV-254-D](#) [MV-255](#) [MV-462](#) [MV-493](#) [MVE-](#)
[252](#) [MVE-253](#) [MVE-273](#) [MVEB-153](#) [1700096](#) [1705142](#) [1712417](#) [1713020](#) [1713088](#) [1745195](#) [1760594](#) [1776118-2](#) [1790852](#) [1-796689-8](#)
[1-796692-6](#) [1800001](#) [1800114](#) [1995279](#) [20020314-C121B01LF](#) [CB2-12](#) [KP03215000J0G](#) [KP04215000J0G](#) [S451](#) [282802-2](#) [29.007](#) [29.116](#)
[30.103](#)