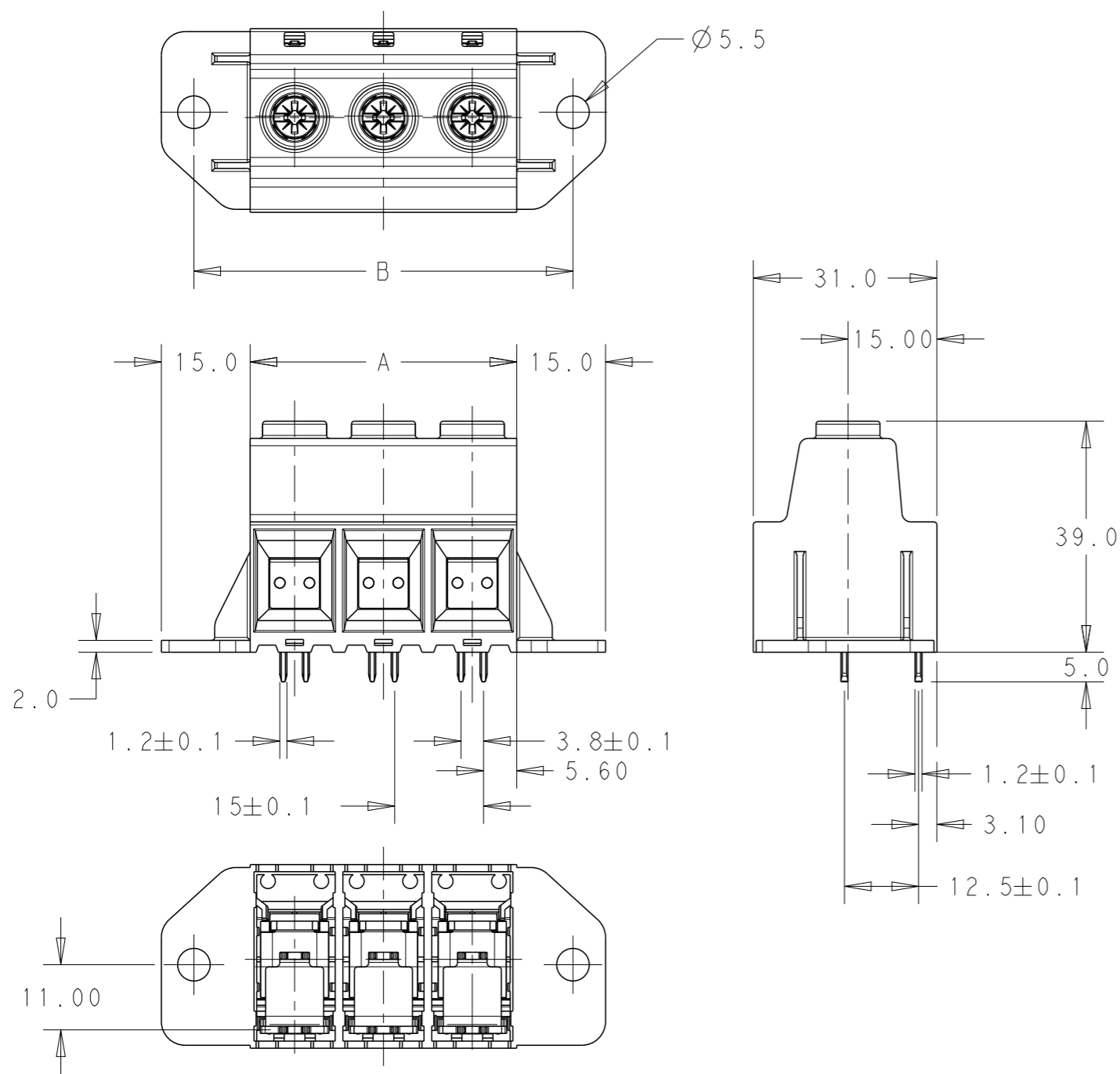


LOC  
AI

DIST  
-

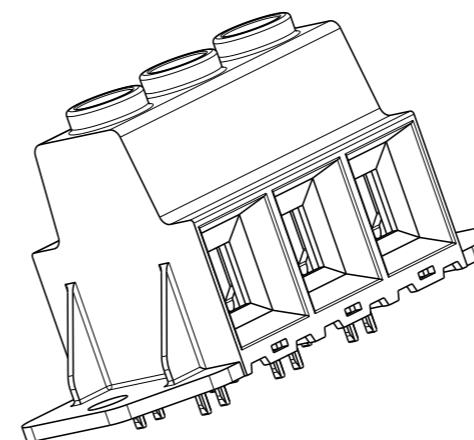
REVISIONS

P	LTR	DESCRIPTION	DATE	DWN	APVD
	B1	DIM "B" ADDED	05DEC2014	PS	JK



NOTES:

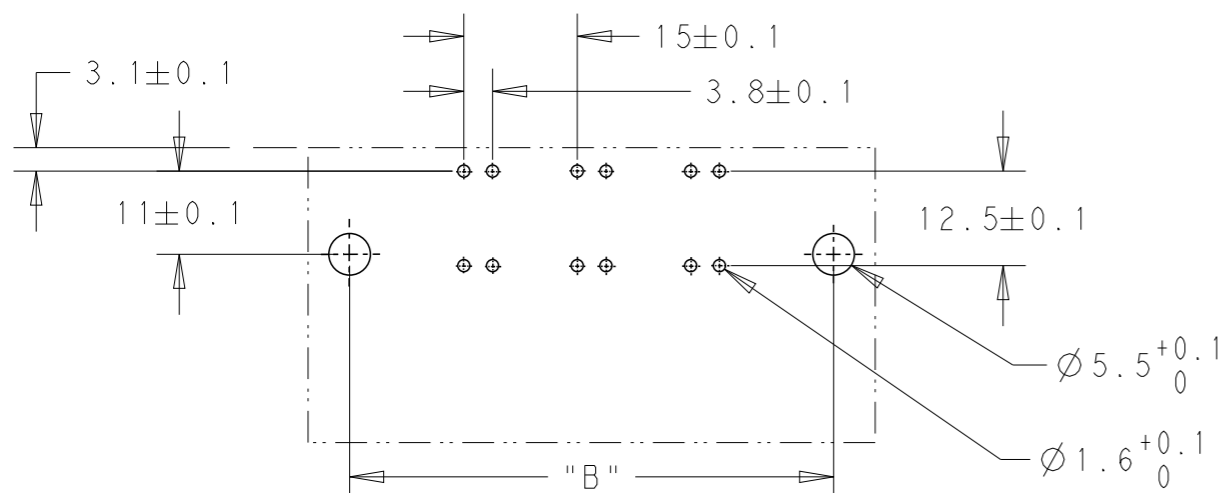
- MATERIALS:**  
 HOUSING-PA66, UL94 VO, COLOR-GREEN  
 SCREW- M5, STEEL, NICKEL PLATED  
 CLAMP- STEEL, NICKEL PLATED  
 CONTACT PIN- BRASS, TIN PLATED
- MECHANICAL:**  
 PCB THICKNESS-2.40 MAX  
 PCB HOLE DIAMETER-1.60 MIN  
 STRIP LENGTH-18 mm  
 OPERATING TEMPERATURE:-40°C TO +110°C  
 RECOMMENDED/HIGHEST TIGHTENING TORQUE-2.1/2.5 Nm.
- ELECTRICAL:**  
 WIRE RANGE- 20 TO 1 AWG  
 VOLTAGE RATING- 600 VOLTS  
 CURRENT RATING-130 A FIELD WIRING;135A FACTORY WIRING  
 CONTACT RESISTANCE-15 mOHM MAX  
 INSULATION RESISTANCE-10<sup>9</sup> OHMS MIN (500V DC)



SCALE 1:1  
-3 AS SHOWN

199.00	180.00	12	1-1986715-2
184.00	165.00	11	1-1986715-1
169.00	150.00	10	1-1986715-0
154.00	135.00	9	1986715-9
139.00	120.00	8	1986715-8
124.00	105.00	7	1986715-7
109.00	90.00	6	1986715-6
94.00	75.00	5	1986715-5
79.00	60.00	4	1986715-4
64.00	45.00	3	1986715-3
49.00	30.00	2	1986715-2
DIM "B"	DIM "A"	POLE	PART NUMBER

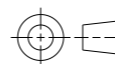
RECOMMENDED PCB LAYOUT



THIS DRAWING IS A CONTROLLED DOCUMENT.

DIMENSIONS:  
mm

TOLERANCES UNLESS OTHERWISE SPECIFIED:



0 PLC	±-
1 PLC	±0.25
2 PLC	±0.20
3 PLC	±-
4 PLC	±-
ANGLES	±1°
FINISH	-

MATERIAL

-

DWN 13SEP2011

RAGHAVENDRA

CHK 13SEP2011

SARVER MICHAEL

APVD 13SEP2011

SARVER MICHAEL

PRODUCT SPEC

-

APPLICATION SPEC

-

WEIGHT

-

Customer Drawing

NAME  
POWER TERMINAL BLOCK, DOUBLE PIN  
MOUNTING FLANGES; PITCH 15.00 mm



TE Connectivity

SIZE CAGE CODE DRAWING NO RESTRICTED TO

A300779 C-1986715

SCALE 1:1 SHEET 1 OF 1 REV B1

## X-ON Electronics

Largest Supplier of Electrical and Electronic Components

*Click to view similar products for [Fixed Terminal Blocks](#) category:*

*Click to view products by [TE Connectivity](#) manufacturer:*

Other Similar products are found below :

[MBE-1512](#) [MBE-154](#) [MBE-156](#) [MBES-153](#) [MBES-156](#) [MH-2512](#) [MHE-132](#) [MHE-163](#) [MI-254 \(35\)](#) [MI-272](#) [880507](#) [MPT-275](#)  
[15602-04-08-21](#) [ELM023100](#) [BA311TU](#) [BA411SU](#) [MV-152](#) [MV-252-D](#) [MV-253/NCNOC](#) [MV-254-D](#) [MV-255](#) [MV-462](#) [MV-493](#) [MVE-](#)  
[252](#) [MVE-253](#) [MVE-273](#) [MVEB-153](#) [1700096](#) [1705142](#) [1712417](#) [1713020](#) [1713088](#) [1745195](#) [1760594](#) [1776118-2](#) [1790852](#) [1-796689-8](#)  
[1-796692-6](#) [1800001](#) [1800114](#) [1995279](#) [20020314-C121B01LF](#) [CB2-12](#) [KP03215000J0G](#) [KP04215000J0G](#) [S451](#) [282802-2](#) [29.007](#) [29.116](#)  
[30.103](#)